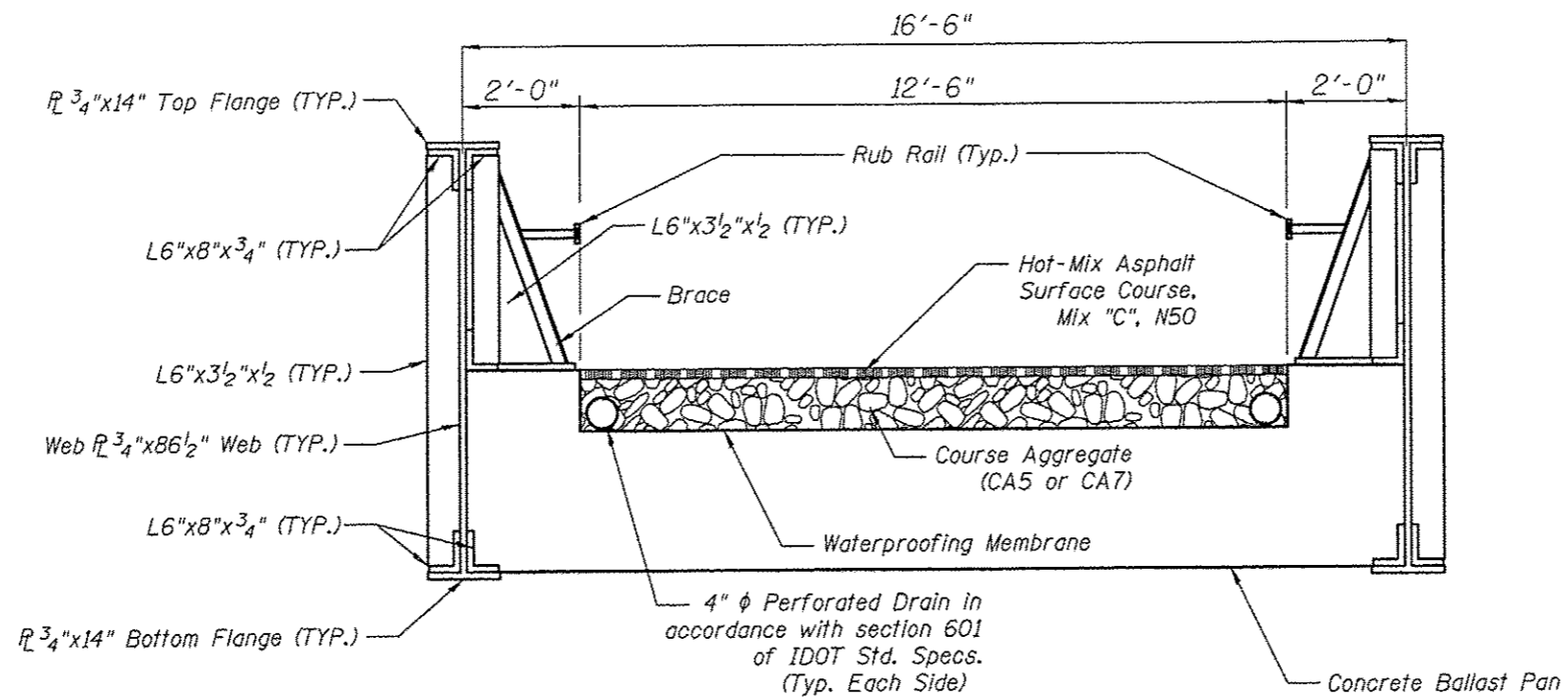


PROPOSED TYPICAL SECTION STRUCTURE NO. 11

(Looking East)
 STA. 387+46.73 TO STA. 388+49.90



PROPOSED TYPICAL SECTION STRUCTURE NO. 12

(Looking East)
 STA. 388+94.99 TO STA. 390+23.09

FILE NAME * Typ-prop.dgn	USER NAME * Jeremy	DESIGNED - SAS	REVISED -	MADISON COUNTY TRANSIT DISTRICT HERITAGE BIKEWAY	PROPOSED TYPICAL SECTIONS			F.A. RTE.	SECTION	COUNTY	TOTAL SHEETS	SHEET NO.
	PLOT SCALE * #SCALE#	DRAWN - JDH	REVISED -					06-00016-00-BT	MADISON	310	21	
	PLOT DATE * 12/17/2012	CHECKED - WJB	REVISED -		SCALE: N.T.S. SHEET NO. 13 OF 14 SHEETS			CONTRACT NO. 97433				
	DATE - 11/30/12	REVISED -	FED. ROAD DIST. NO. ILLINOIS FED. AID PROJECT									