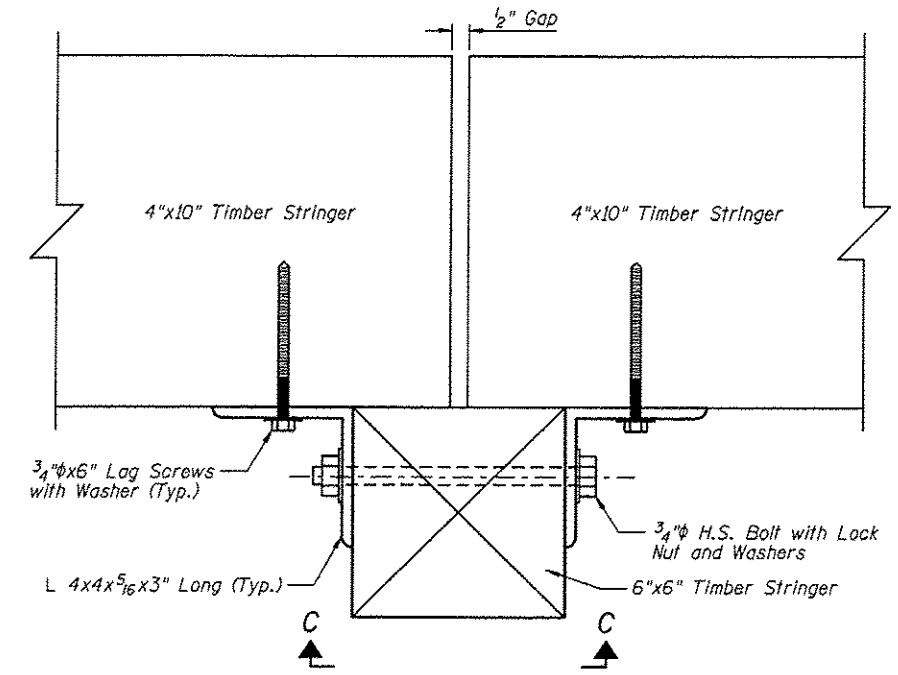
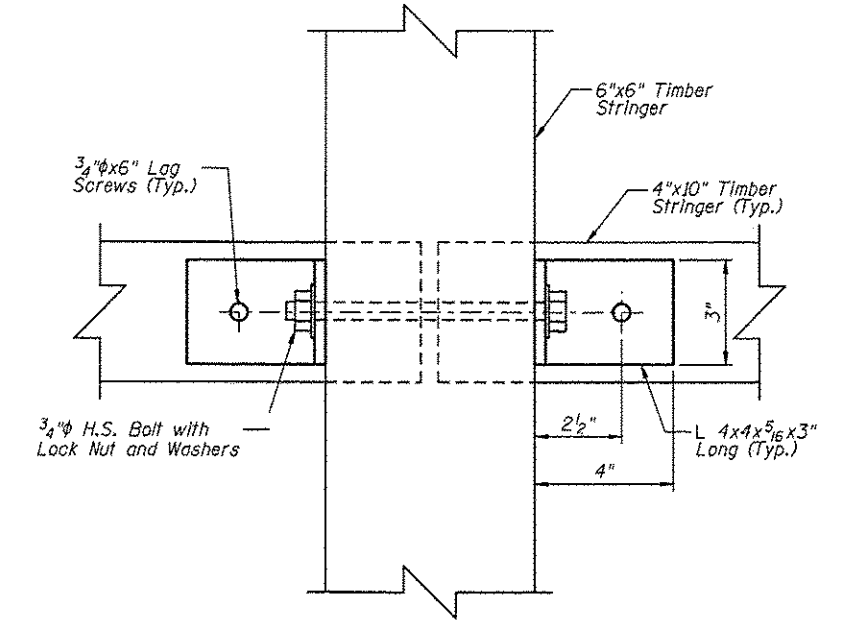


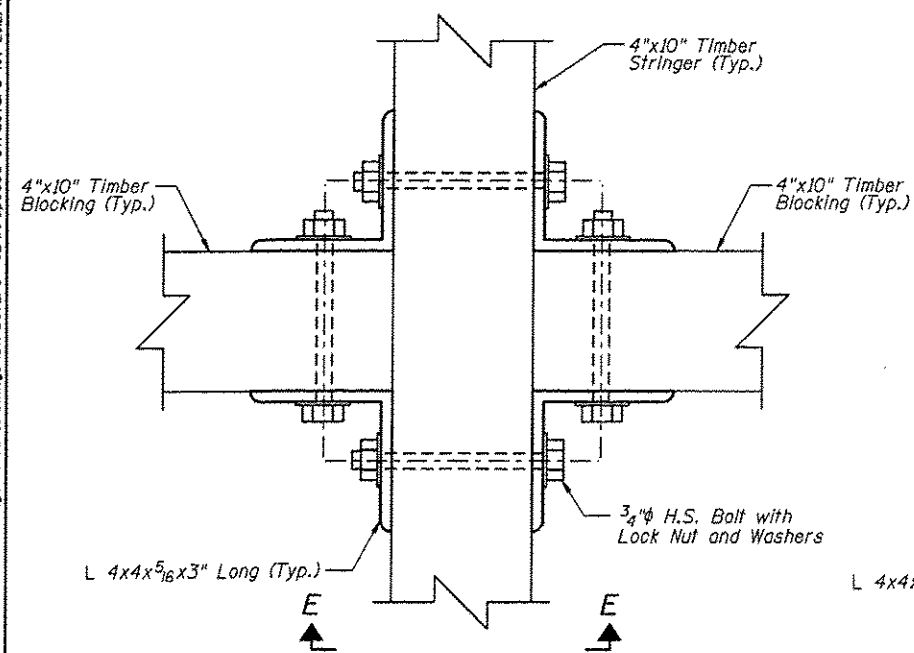
SECTION A-A



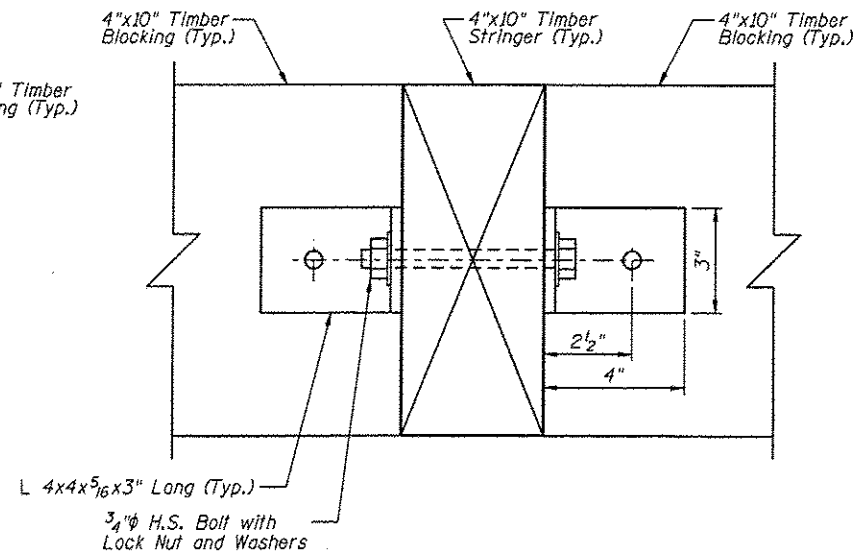
SECTION B-B  
(Section G-G Similar)



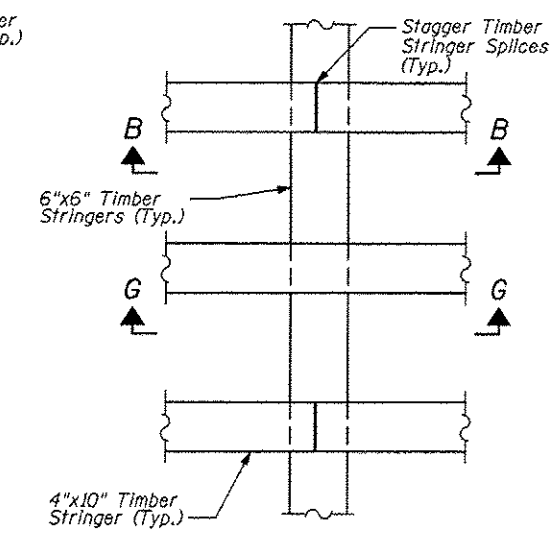
SECTION C-C



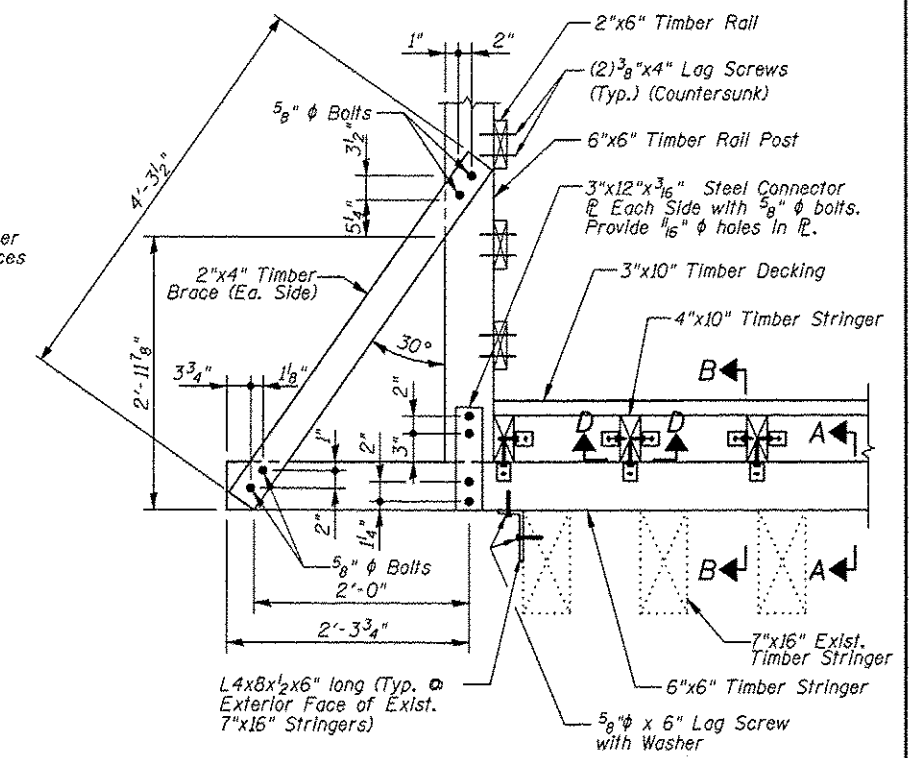
SECTION D-D



SECTION E-E



DETAIL A



DETAIL B

SUPERSTRUCTURE  
BILL OF MATERIAL

Item	Unit	Quantity
Treated Timber	F.B.M.	10150

Note:  
All new timber members shown shall be included in the pay item Treated Timber.

<p>Juneau Associates, Inc. P.C. CONSULTING ENGINEERS AND LAND SURVEYORS 2100 State Street, P.O. Box 1214 Juneau City, Alaska 99801 Phone: (907) 586-1100 FAX: (907) 586-1101</p>		<p>GLEN CARBON HERITAGE BIKE TRAIL OVER JUDY BRANCH MADISON COUNTY STATION 118+47.70 STRUCTURE NO. 2</p>									
<p>REVISIONS</p> <table border="1"> <thead> <tr> <th>NO.</th> <th>DATE</th> <th>BY</th> <th>REMARKS</th> </tr> </thead> <tbody> <tr> <td> </td> <td> </td> <td> </td> <td> </td> </tr> </tbody> </table>		NO.	DATE	BY	REMARKS					<p>SCALE: NOT TO SCALE, FOLLOW DIMENSIONS</p>	
NO.	DATE	BY	REMARKS								
<p>DGN. BY: DB</p>		<p>DATE: 10/18/12</p>									
<p>DWN. BY: EER</p>		<p>DATE: 10/18/12</p>									
<p>CHK'D: WWH</p>		<p>DATE: 10/18/12</p>									
<p>DGN. NAME:</p>		<p>JOB NO. E064403</p>									
<p>SHEET</p>		<p>162</p>									
<p>OF 310 SHEETS</p>		<p>DGN. NO.</p>									

Printed: 10/24/12 12:19:20 PM  
 W:\STRUCTURE\Drawings\Structure 07-202\104062\Connection Details.dgn  
 W:\STRUCTURE\Drawings\Structure 07-202\104062\Connection Details.dgn