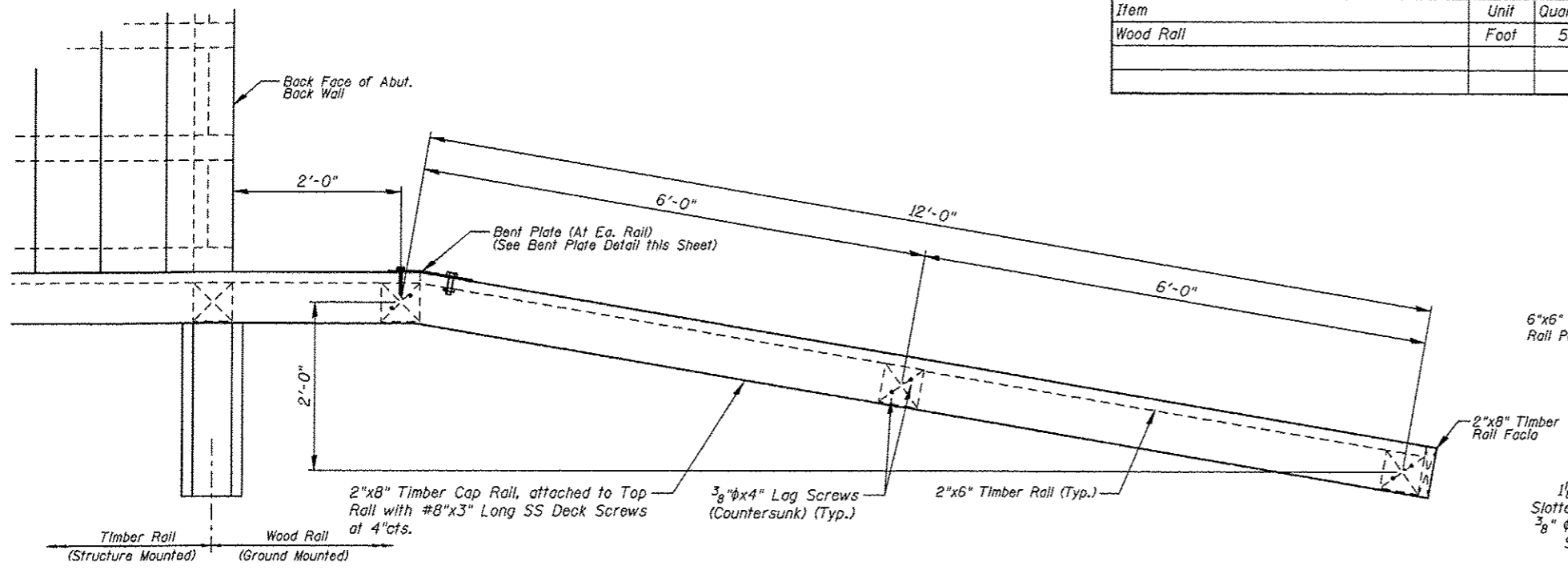


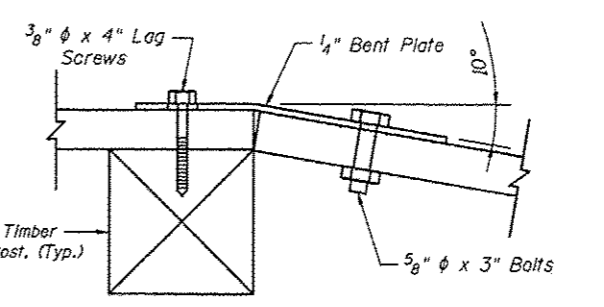
F.A.U. RTE.	SECTION	COUNTY	TOTAL SHEETS	SHEET NO.
	06-00016-00-BT	MADISON	510	163
FED. ROAD DIST. NO.	ILLINOIS	CONTRACT NO.	97433	

WOOD RAIL BILL OF MATERIAL

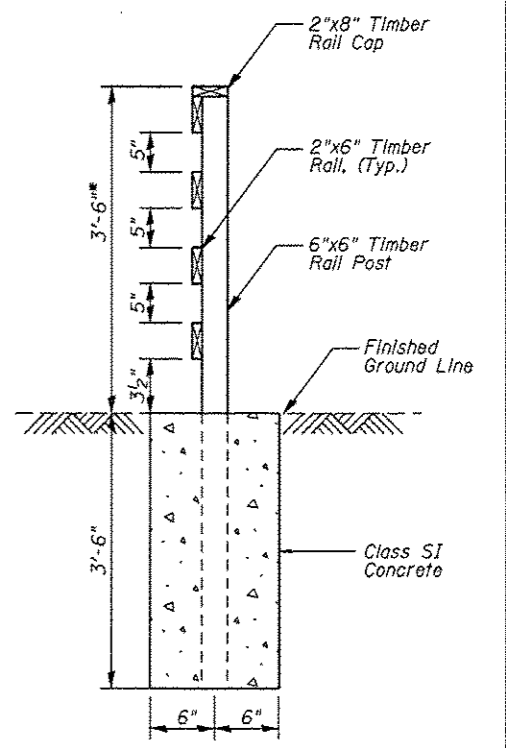
Item	Unit	Quantity
Wood Rail	Foot	58



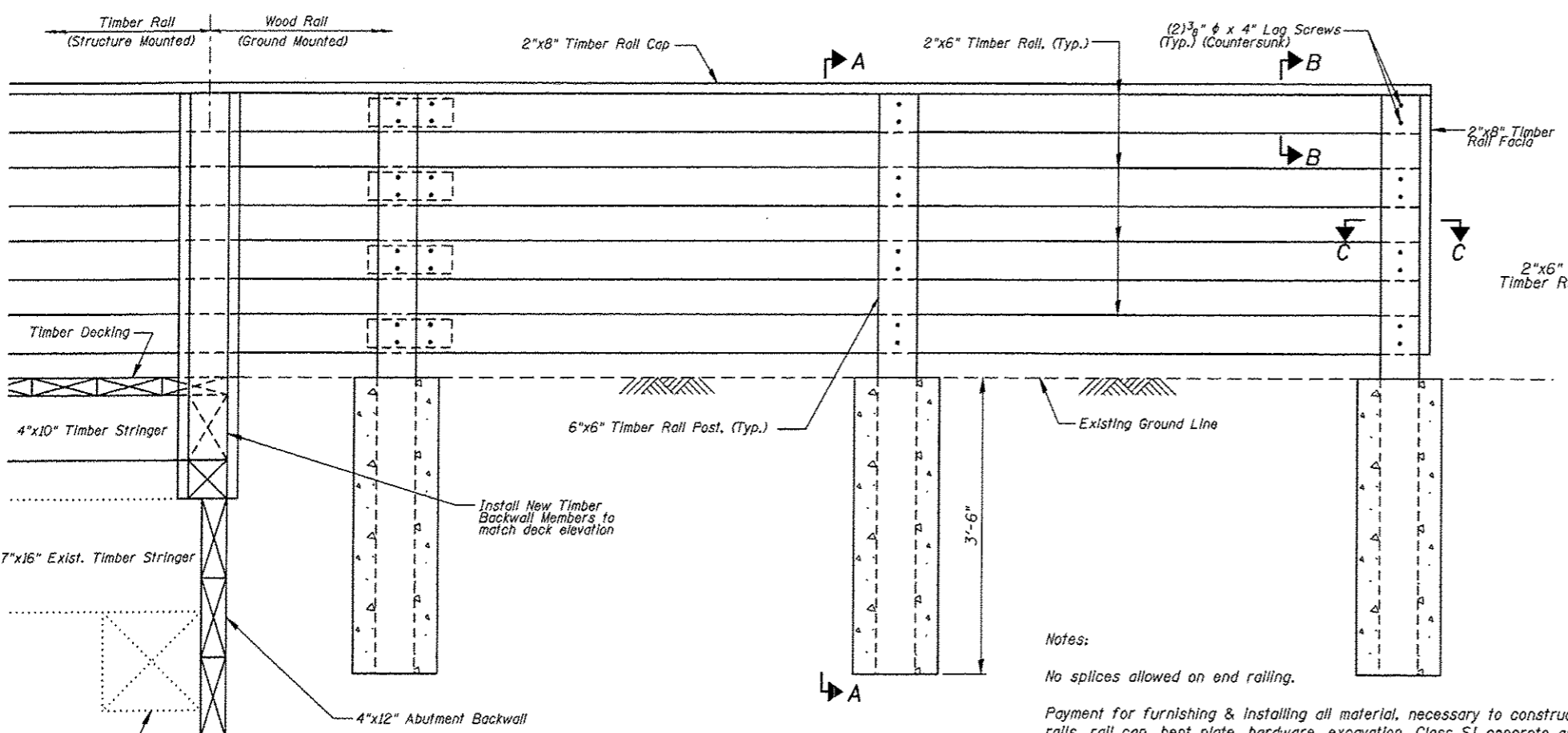
PLAN



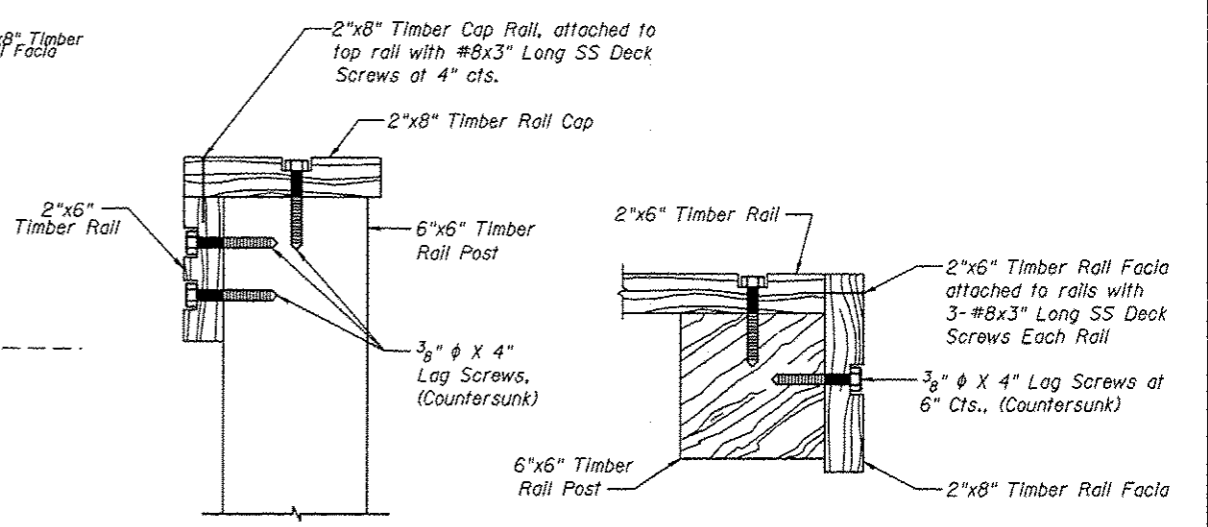
BENT PLATE



SECTION A-A



ELEVATION



SECTION B-B

SECTION C-C

Notes:

No splices allowed on end railing.

Payment for furnishing & installing all material, necessary to construct the wood rail, including all posts, rails, rail cap, bent plate, hardware, excavation, Class SI concrete and all other appurtenances and incidental work, complete in place, will be considered completely covered by the contract unit price per foot for Wood Rail.

* Top of top timber rail shall be installed a minimum of 3'-6" above the finished groundline. Adjust post length according in field.

WOOD RAIL DETAILS

<p>Juneau Associates, Inc. P.C. CONSULTING ENGINEERS AND LAND SURVEYORS 2100 State Street, P.O. Box 1325 Glen Carbon, IL 61843-0132 Phone: (618) 951-1100 Fax: (618) 951-9911</p>		<p>GLEN CARBON HERITAGE BIKE TRAIL OVER JUDY BRANCH MADISON COUNTY STATION 118+47.70 STRUCTURE NO. 2</p>									
<p>REVISIONS</p> <table border="1"> <thead> <tr> <th>NO.</th> <th>DATE</th> <th>BY</th> <th>REMARKS</th> </tr> </thead> <tbody> <tr> <td> </td> <td> </td> <td> </td> <td> </td> </tr> </tbody> </table>		NO.	DATE	BY	REMARKS					<p>SCALE: NOT TO SCALE, FOLLOW DIMENSIONS</p>	
NO.	DATE	BY	REMARKS								
<p>DGN. BY: DB</p>		<p>DATE: 10/18/12</p>									
<p>DWN. BY: EER</p>		<p>DATE: 10/18/12</p>									
<p>CHE'D: WWH</p>		<p>DATE: 10/18/12</p>									
<p>DGN NAME:</p>		<p>JOB NO. E064403</p>									
<p>DGN NO.</p>		<p>OF 810 SHEETS</p>									

10/04/18 AM 12/19/2012 W:\STRUCTURE\064403 INET Herkhopo, Traid\Drawings\Structure_02\Proposed Structure_107-2012\05\053 Fence Details.dgn