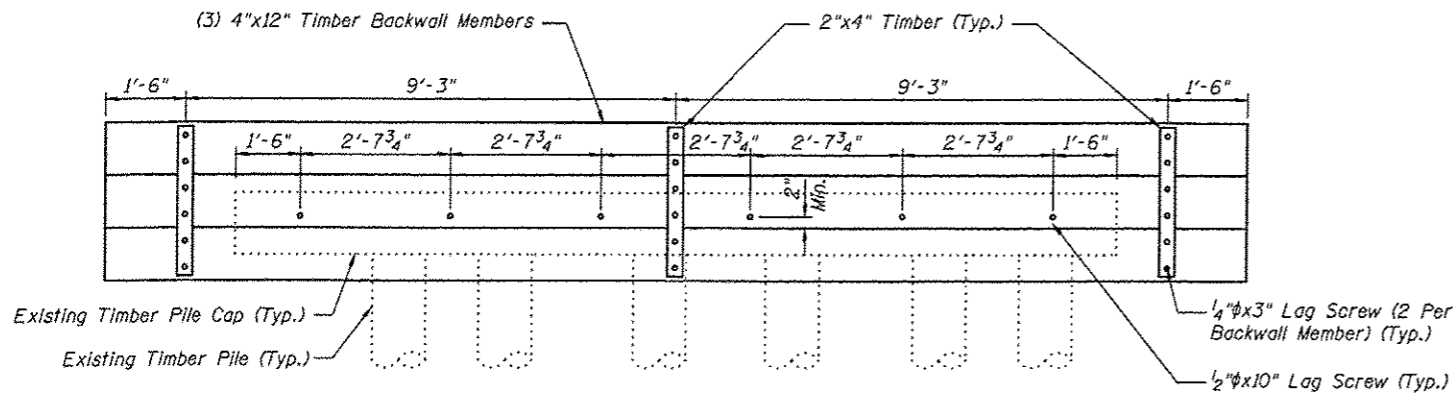


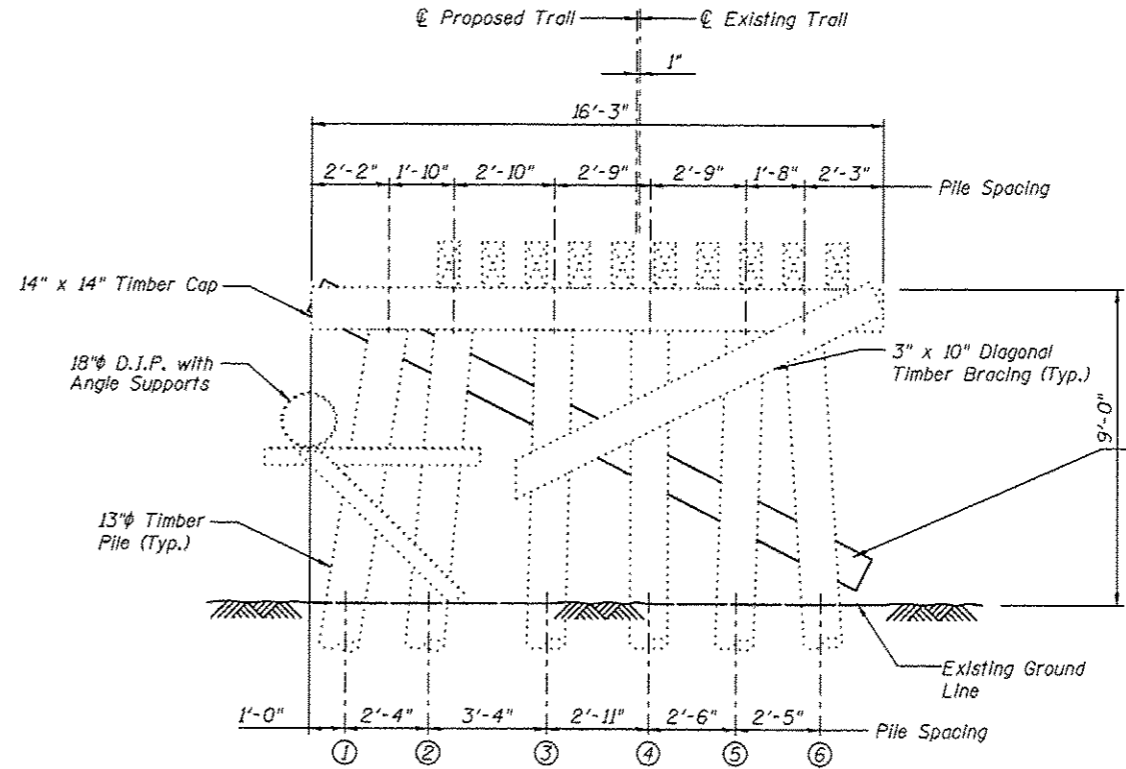
**WEST ABUTMENT**  
(Looking West)



**WEST ABUTMENT**  
(Looking East)

**WEST ABUTMENT  
BILL OF MATERIAL**

Item	Unit	Quantity
Treated Timber	F.B.M.	264



**PIER 1**  
(Looking East)

**PIER 1  
BILL OF MATERIAL**

Item	Unit	Quantity
Treated Timber	F.B.M.	50

Remove damaged timber member. Replace with New 3"x10" Diagonal Timber Bracing. Field drill holes in new timber bracing to match hole locations in existing timber piles. Existing bolts, nuts, and washers to be removed, stored, cleaned and reinstalled.

Note:  
All dimensions are approximate.  
All new timber members shown shall be included in the pay item Treated Timber.

<p><b>Juneau Associates, Inc. P.C.</b> CONSULTING ENGINEERS AND LAND SURVEYORS 2100 Stone Street, P.O. Box 1225 Ozark, MO 64850 Phone: (417) 581-7100 Fax: (417) 581-9541</p>		<p>GLEN CARBON HERITAGE BIKE TRAIL OVER JUDY BRANCH MADISON COUNTY STATION 118+47.70 STRUCTURE NO. 2</p>									
<p>REVISIONS</p> <table border="1"> <thead> <tr> <th>NO.</th> <th>DATE</th> <th>BY</th> <th>REMARKS</th> </tr> </thead> <tbody> <tr> <td> </td> <td> </td> <td> </td> <td> </td> </tr> </tbody> </table>		NO.	DATE	BY	REMARKS					<p>SCALE: NOT TO SCALE, FOLLOW DIMENSIONS</p>	
NO.	DATE	BY	REMARKS								
<p>DGN NAME:</p>		<p>DSN. BY: DB    DATE: 10/18/12    SHEET</p> <p>DWN. BY: EER    DATE: 10/18/12    <b>164</b></p> <p>CHK'D: WWH    DATE: 10/18/12</p>									
<p>JOB NO. E064403</p>		<p>DGN. NO.    OF 810 SHEETS</p>									

10/18/12 AM 12/19/2012 W:\STRUCTURE\Drawings\Structure #02\Proposed Structure 107-2012\061064\W Abut & Pier.dgn