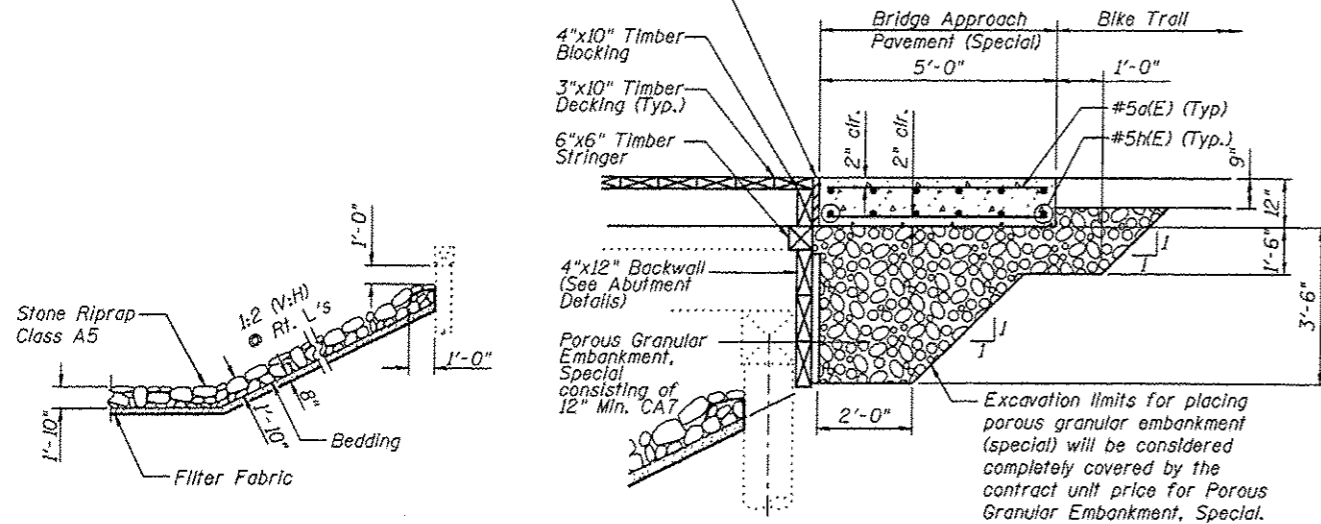
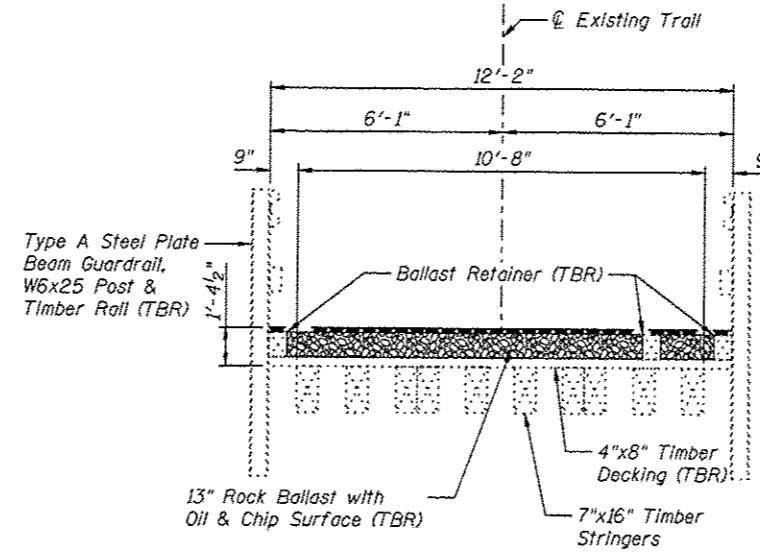


1" Preformed Joint Filler in accordance with Section 1051 of the Standard Specifications. Cost Included with Bridge Approach Pavement (Special)

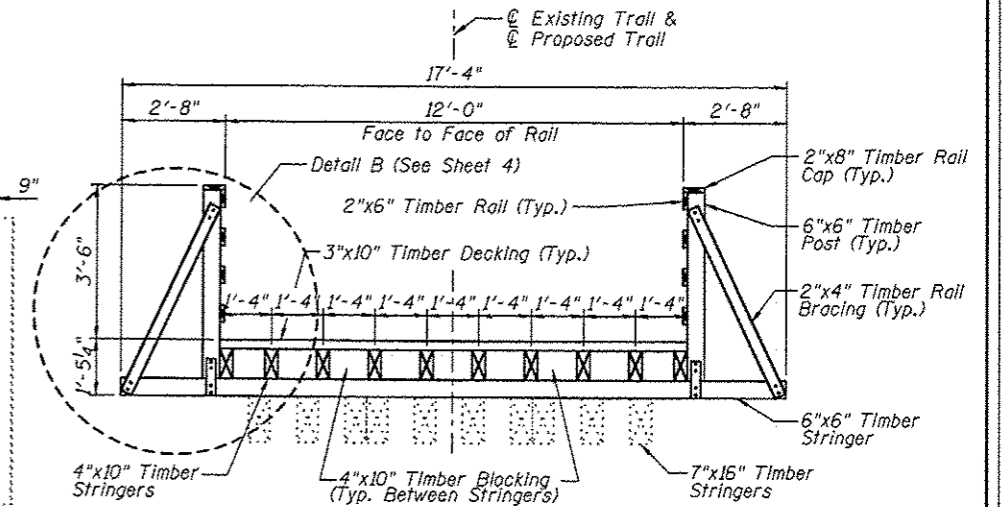


STONE RIPRAP DETAIL

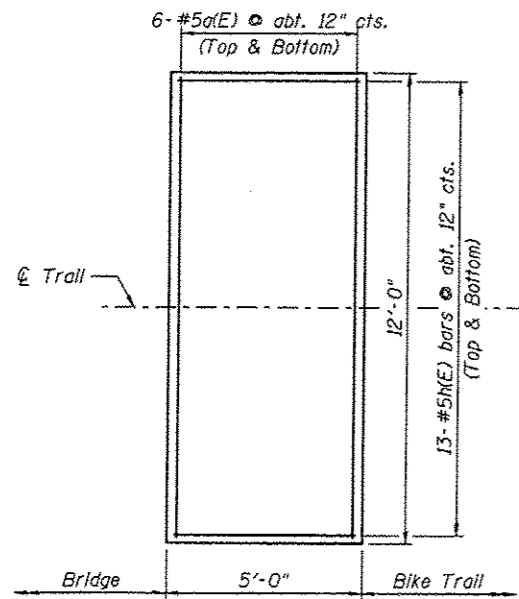
BRIDGE APPROACH PAVEMENT (SPECIAL) DETAIL



EXISTING CROSS SECTION
(Looking North)

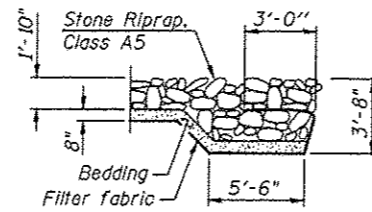


PROPOSED CROSS SECTION
(Looking East)

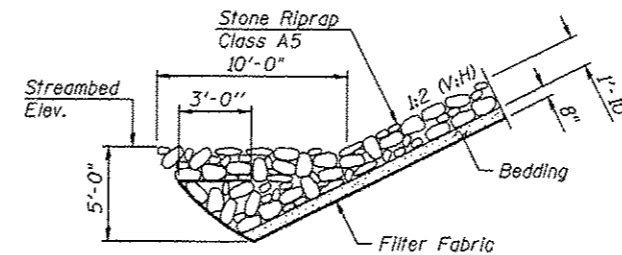


BRIDGE APPROACH PAVEMENT (SPECIAL) PLAN

Note: 276 Lbs. of epoxy coated reinforcement bars



SECTION A-A



SECTION B-B

BRIDGE APPROACH
BILL OF MATERIAL

Item	Unit	Quantity
Porous Granular Embankment, Special	Cu. Yd.	17

Note:

All dimensions are approximate.

For Treated Timber quantity, see Sheet No. 4

All new timber members shown shall be included in the pay item Treated Timber.

All items determined by the Engineer to have salvageable value, including the Type A Steel Plate Beam Guardrail, W6x25 Posts, 3"x8" Timber Rail and 7"x16" Timber Stringers in good condition, shall be transported and stored at locations and in a manner approved by the Engineer.

CROSS SECTIONS

<p>Juneau Associates, Inc. P.C. CONSULTING ENGINEERS AND LAND SURVEYORS 110 State Street, P.O. Box 1227 Grand Rapids, MI 49504 Phone: (616) 251-1200 Fax: (616) 251-2541</p>		<p>GLEN CARBON HERITAGE BIKE TRAIL OVER JUDY BRANCH MADISON COUNTY STATION 157+37.45 STRUCTURE NO. 3</p>									
<p>REVISIONS</p> <table border="1"> <thead> <tr> <th>NO.</th> <th>DATE</th> <th>BY</th> <th>REMARKS</th> </tr> </thead> <tbody> <tr> <td></td> <td></td> <td></td> <td></td> </tr> </tbody> </table>		NO.	DATE	BY	REMARKS					<p>SCALE: NOT TO SCALE, FOLLOW DIMENSIONS</p>	
NO.	DATE	BY	REMARKS								
<p>DGN. BY: DB DATE: 10/18/12</p>		<p>SHEET 171</p>									
<p>DWN. BY: EER DATE: 10/18/12</p>		<p>CHECKED: WWH DATE: 10/18/12</p>									
<p>DGN NAME:</p>		<p>JOB NO. E064403 DGN. NO. OF 310 EHTS</p>									