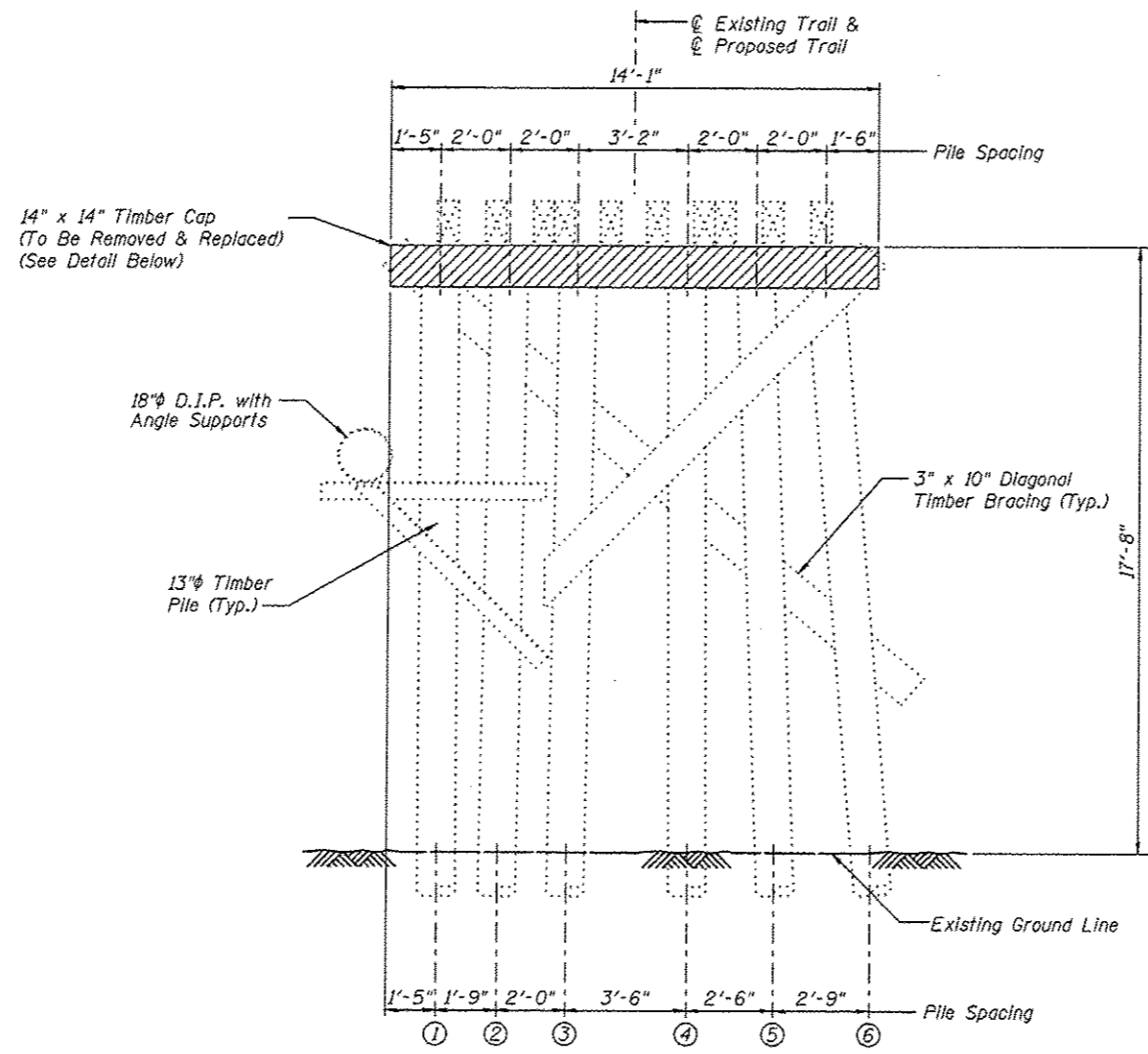


F.A.U. RTE.	SECTION	COUNTY	TOTAL SHEETS	SHEET NO.
	06-00016-00-BT	MADISON	310	179
FED. ROAD DIST. NO.	ILLINOIS	CONTRACT NO. 97433		

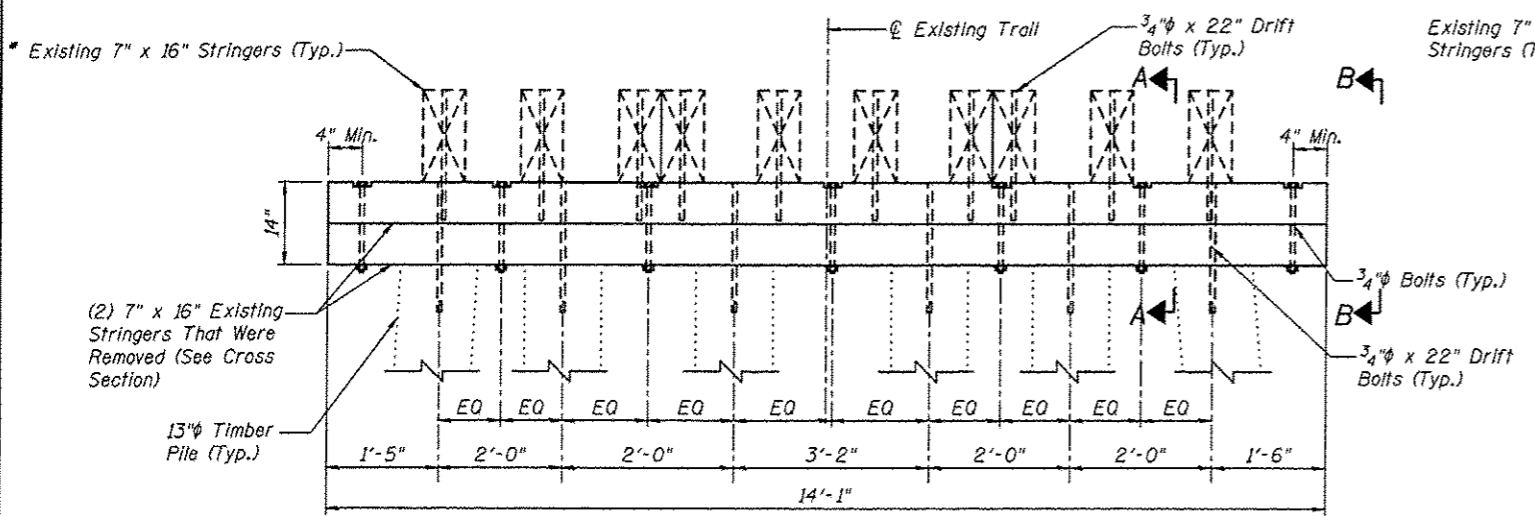


PIER 4
(Looking North)

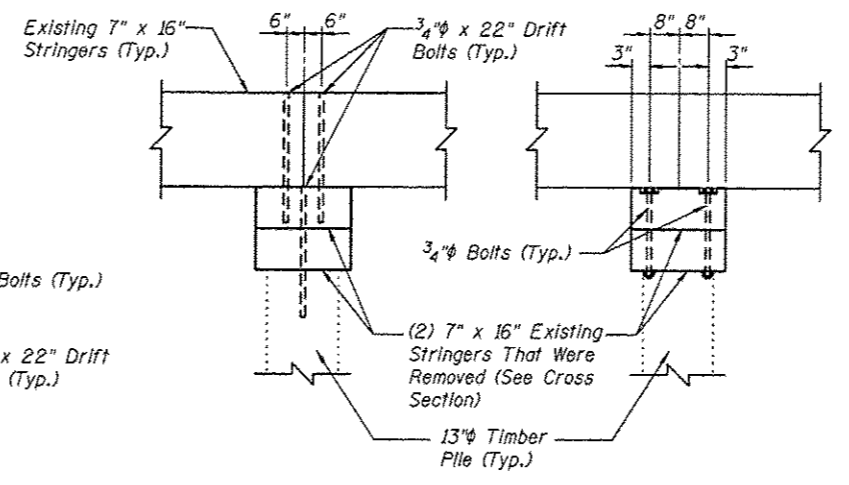
PIER 4
BILL OF MATERIAL

Item	Unit	Quantity
Treated Timber	F.B.M.	263

10/02/15 AM 12/19/2012 W:\STRUCTURE\064403 UMC1 Heritage Trail\Drawings\Structure 403\Proposed Structure 403\Pier 4 & Pier 5.dgn

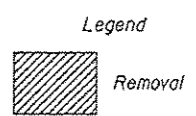


PIER CAP REPLACEMENT



SECTION A-A

SECTION B-B



Notes:
 All dimensions are approximate.
 * The existing 7"x16" stringers shall be removed and reinstalled to accommodate the pier cap replacement. Field drill holes in new timber cap to match hole locations in existing timber piles and stringers. Existing bolts, nuts, washers and drift pins to be removed, stored, cleaned and reinstalled. Cost of removing and reinstalling the existing timber stringers shall be included with Treated Timber.

Juneau Associates, Inc. P.C. CONSULTING ENGINEERS AND LAND SURVEYORS 2160 State Street, P.O. Box 1035 Seattle, WA 98101-1035 Phone: (206) 461-1122 Fax: (206) 461-0911		GLEN CARBON HERITAGE BIKE TRAIL OVER JUDY BRANCH MADISON COUNTY STATION 157+37.45 STRUCTURE NO. 3	
REVISIONS NO. DATE BY REMARKS		SCALE: NOT TO SCALE, FOLLOW DIMENSIONS	
DSN BY: DB DATE: 10/18/12 SHEET		179	
DWN BY: EER DATE: 10/18/12		CHR'D: WWH DATE: 10/18/12	
DGN NAME:		JOB NO. E064403 DGN NO.	
Sheet 11 of 12		OF 310 SHEETS	