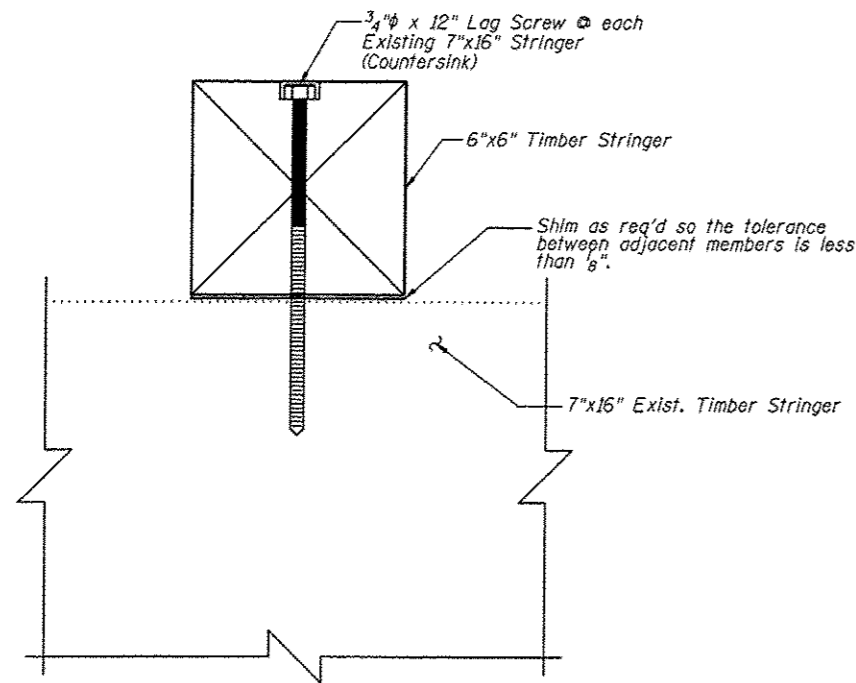
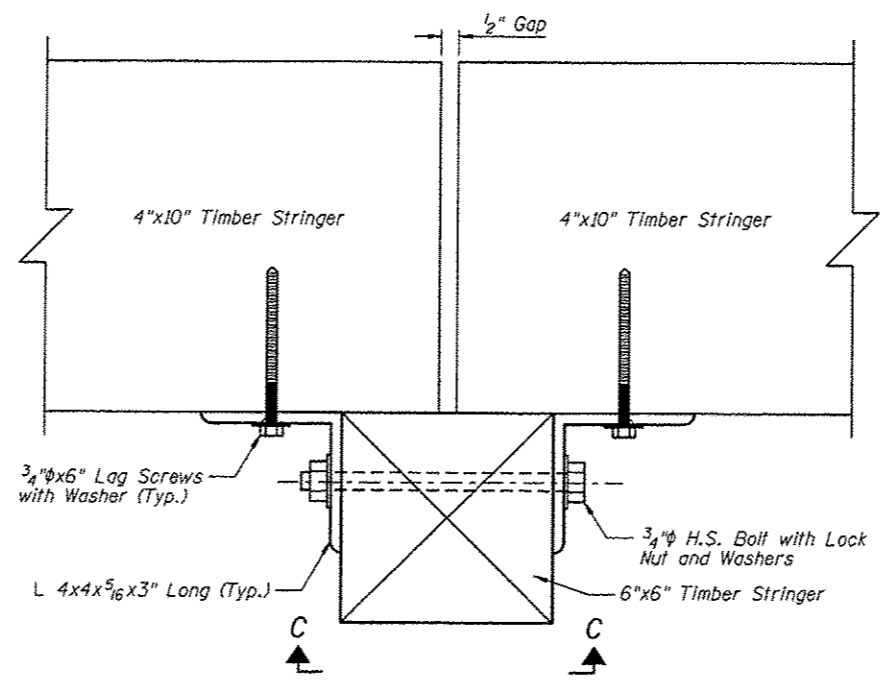


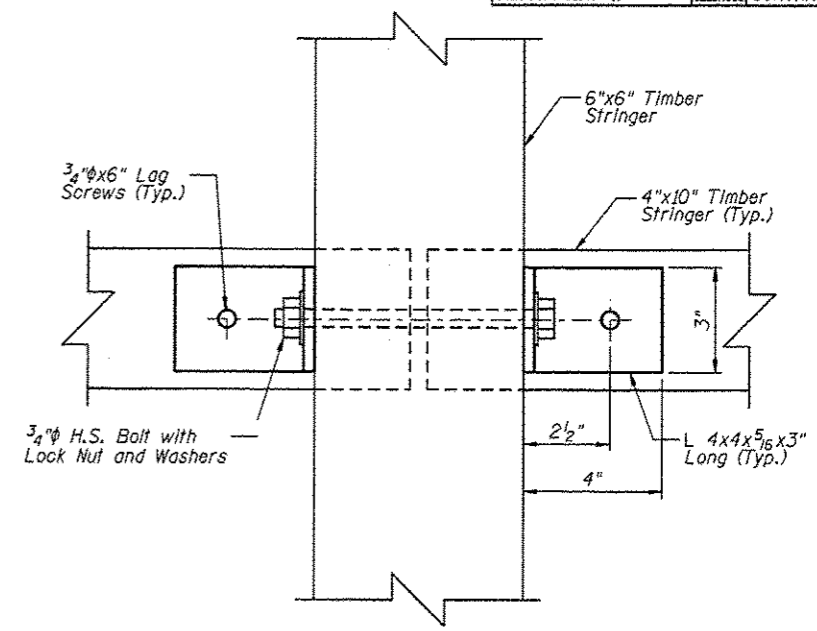
F.A.U. RTE.	SECTION	COUNTY	TOTAL SHEETS	SHEET NO.
	06-00016-00-BT	MADISON	310	184
FED. ROAD DIST. NO.	ILLINOIS	CONTRACT NO. 97433		



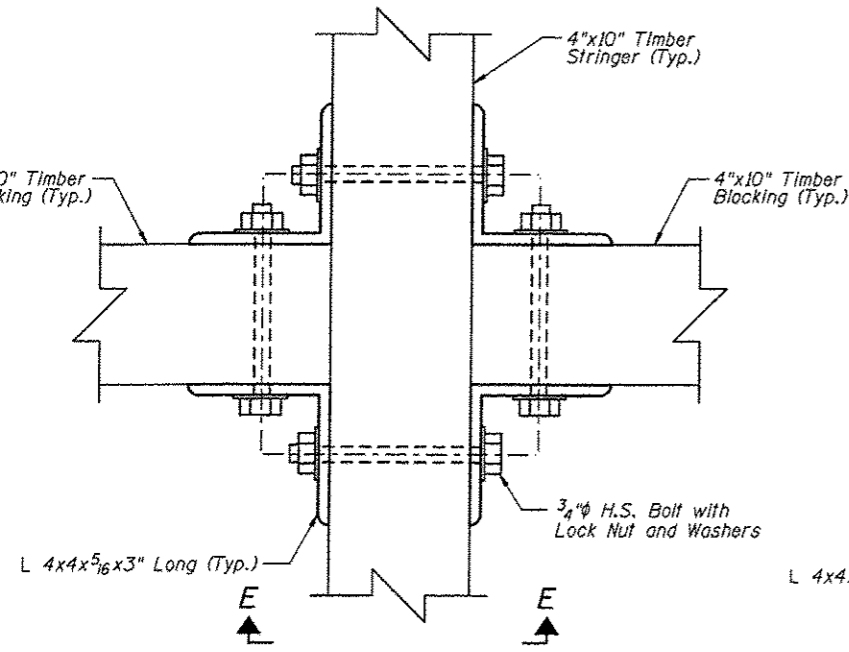
SECTION A-A



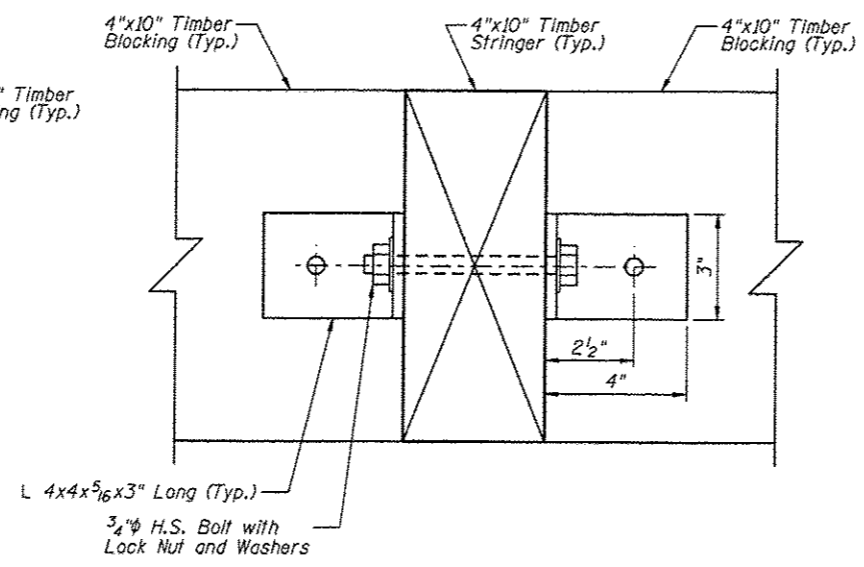
SECTION B-B
(Section G-G Similar)



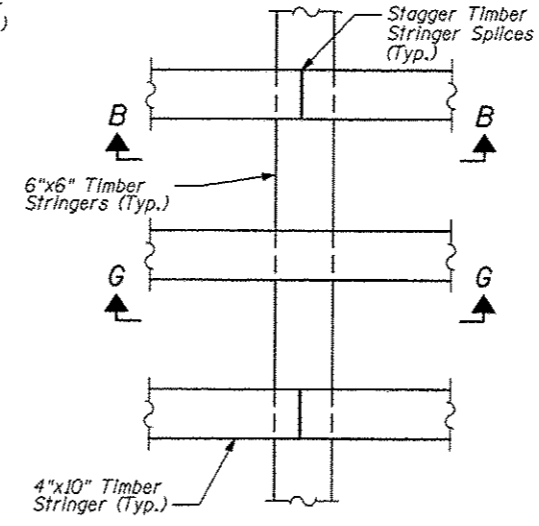
SECTION C-C



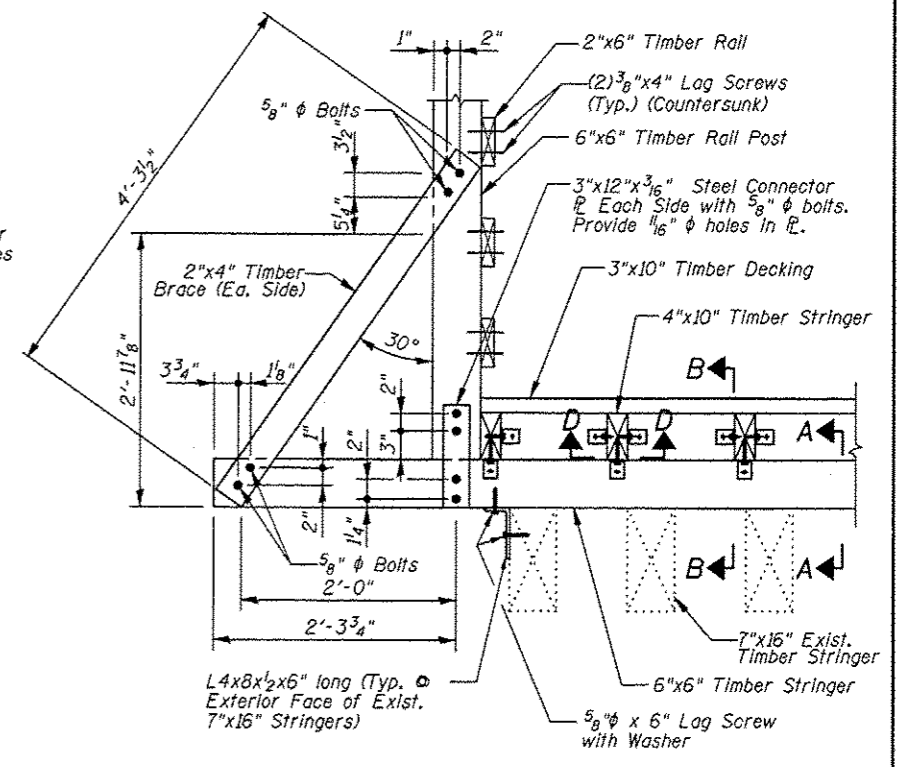
SECTION D-D



SECTION E-E



DETAIL A



DETAIL B

**SUPERSTRUCTURE
BILL OF MATERIAL**

Item	Unit	Quantity
Treated Timber	F.B.M.	6789

Note:

All new timber members shown shall be included in the pay item Treated Timber.

TYPICAL CONNECTION DETAILS			
Juneau Associates, Inc. P.C. CONSULTING ENGINEERS AND LAND SURVEYORS 2100 State Street, P.O. Box 1370 Juneau City, Alaska 99801 Phone: (907) 586-1100 Fax: (907) 586-1101		GLEN CARBON HERITAGE BIKE TRAIL OVER JUDY BRANCH MADISON COUNTY STATION 167+25.86 STRUCTURE NO. 4	
REVISIONS		SCALE: NOT TO SCALE, FOLLOW DIMENSIONS	
NO.	DATE	BY	REMARKS
DGN NAME:		JOB NO. E064403	DGN. NO.
DSN. BY: DB	DATE: 10/18/12	SHEET	
DWN. BY: EER	DATE: 10/18/12	184	
CHK'D: WWH	DATE: 10/18/12		
		OF 810 SHEETS	

10/03/04 AM 12/19/2012 W:\STRUCTURE\064403 IMCT Heritage Trail\Drawings\Structure -04\Proposed Structure 107-2012\04X1841 Connection Details.dgn