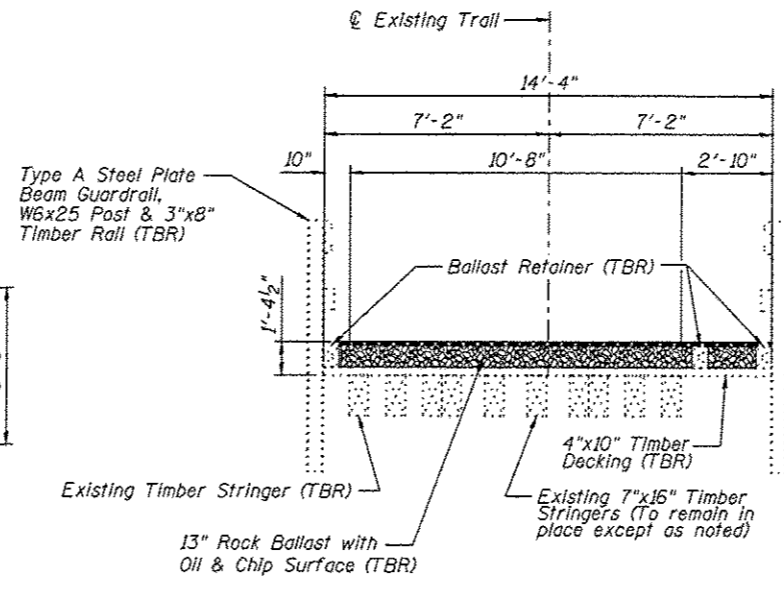
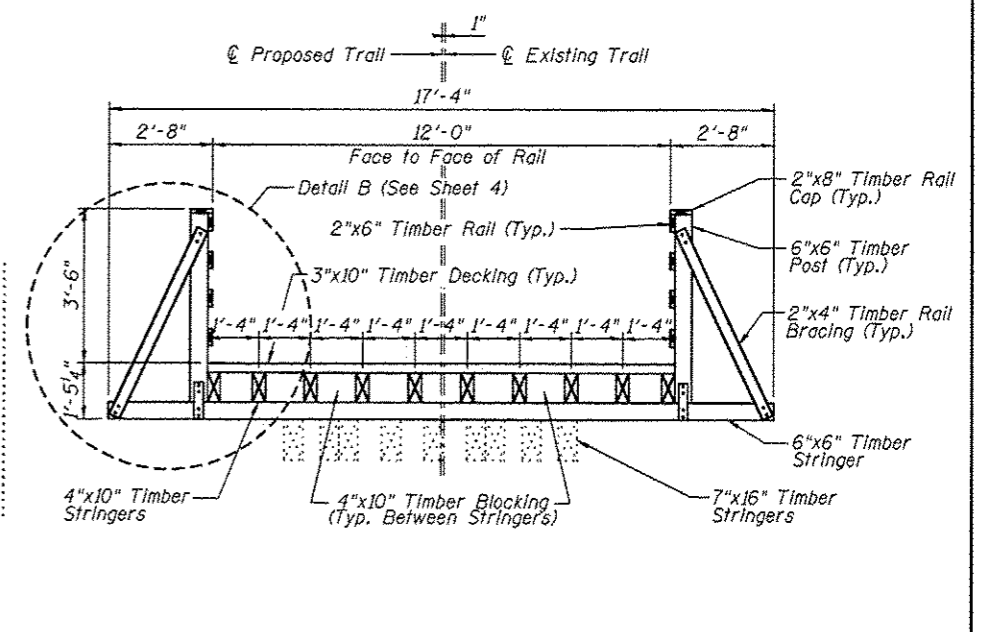


**STONE RIPRAP DETAIL**

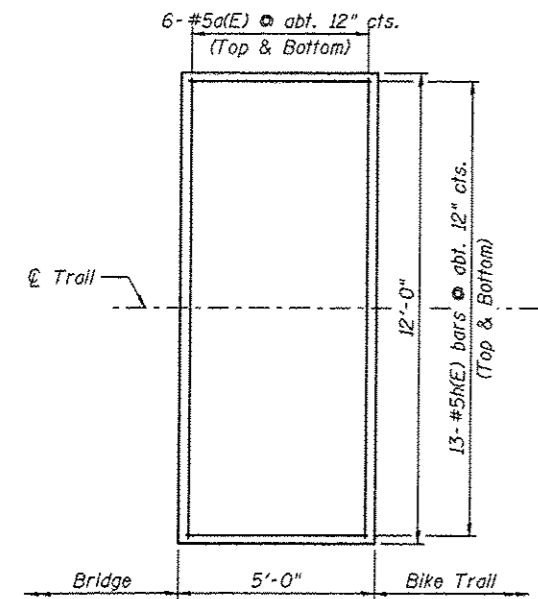
**BRIDGE APPROACH PAVEMENT (SPECIAL) DETAIL**



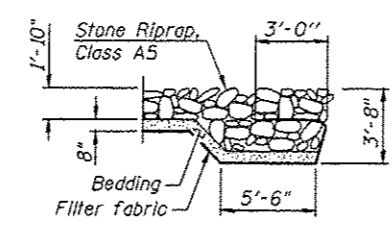
**EXISTING CROSS SECTION (Looking North)**



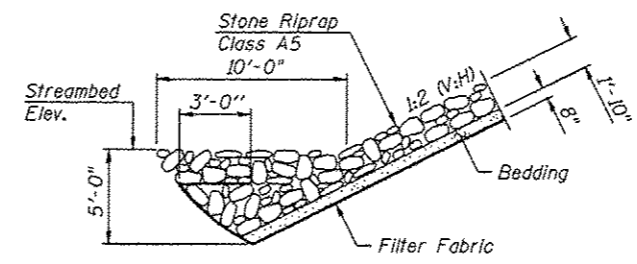
**PROPOSED CROSS SECTION (Looking North)**



**BRIDGE APPROACH PAVEMENT (SPECIAL) PLAN**  
Note: 276 Lbs. of epoxy coated reinforcement bars



**SECTION A-A**



**SECTION B-B**

**BRIDGE APPROACH BILL OF MATERIAL**

Item	Unit	Quantity
Porous Granular Embankment, Special	Cu. Yd.	17

Note:  
All dimensions are approximate.  
For Treated Timber quantity, see Sheet No. 4.  
All new timber members shown shall be included in the pay item Treated Timber.  
All items determined by the Engineer to have salvageable value, including the Type A Steel Plate Beam Guardrail, W6x25 Posts, 3"x8" Timber Rail and 7"x16" Timber Stringers in good condition, shall be transported and stored at locations and in a manner approved by the Engineer.

<p><b>Juneau Associates, Inc. P.C.</b> CONSULTING ENGINEERS AND LAND SURVEYORS 7100 State Street, P.O. Box 1395 Granite City, Illinois 62040 Phone: (618) 371-1100 Fax: (618) 371-5541</p>		<p>GLEN CARBON HERITAGE BIKE TRAIL OVER JUDY BRANCH MADISON COUNTY STATION 186+18.86 STRUCTURE NO. 5</p>									
<p>REVISIONS</p> <table border="1"> <thead> <tr> <th>NO.</th> <th>DATE</th> <th>BY</th> <th>REMARKS</th> </tr> </thead> <tbody> <tr> <td> </td> <td> </td> <td> </td> <td> </td> </tr> </tbody> </table>		NO.	DATE	BY	REMARKS					<p>CROSS SECTIONS</p> <p>SCALE: NOT TO SCALE, FOLLOW DIMENSIONS</p>	
NO.	DATE	BY	REMARKS								
<p>DGN NAME:</p>		<p>DSN BY: DB DATE: 10/18/12 SHEET: 192</p> <p>DWN BY: EER DATE: 10/18/12</p> <p>CHK'D: WWH DATE: 10/18/12</p>									
<p>JOB NO. E064403</p>		<p>DGN NO. OF 810 SHEETS</p>									

Printed 10:03:30 AM 12/19/2012 #1\STRUCTURE\Drawings\Structure 405\Proposed Structure 107-2012\103\9921 Cross Sections.dgn