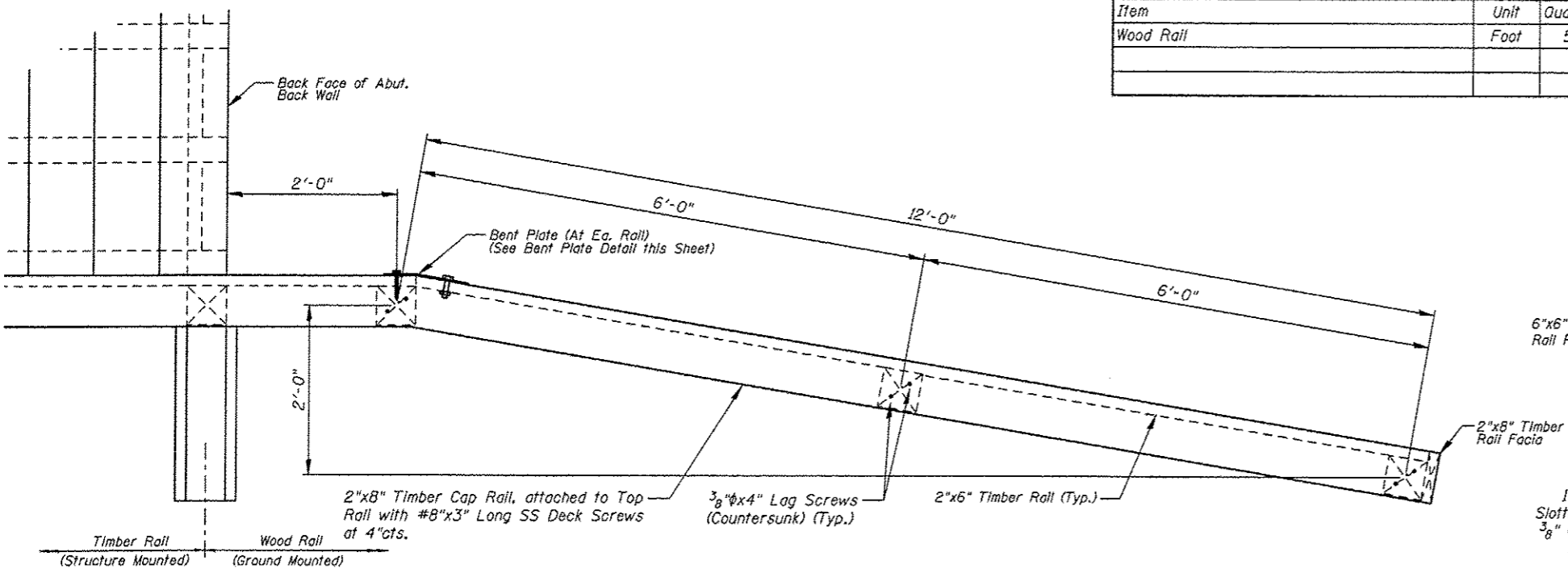


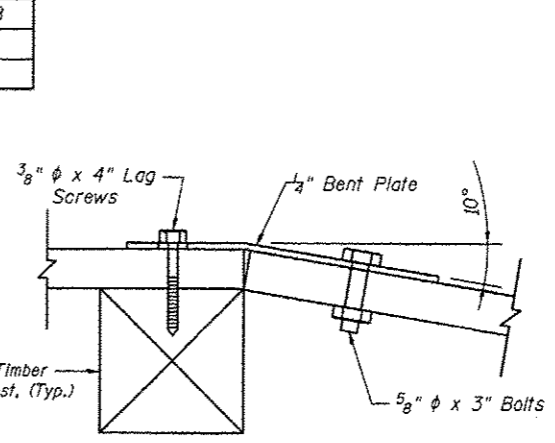
F.A.U. RTE.	SECTION	COUNTY	TOTAL SHEETS	SHEET NO.
	06-00016-00-BT	MADISON	310	194
FED. ROAD DIST. NO.	CONTRACT NO. 97433			

### WOOD RAIL BILL OF MATERIAL

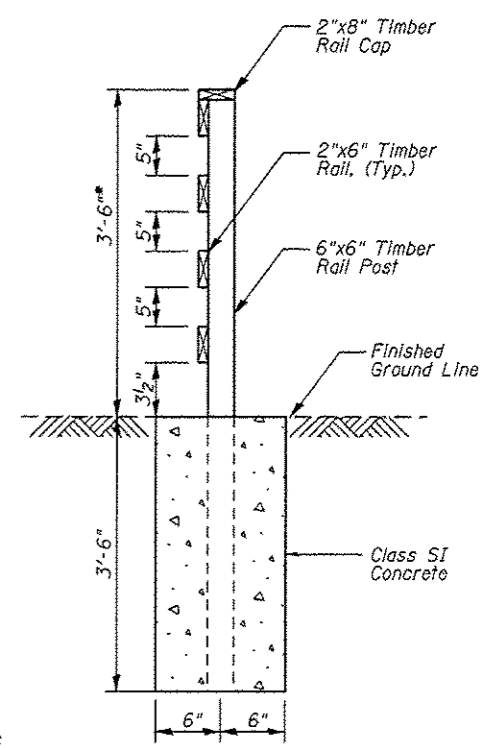
Item	Unit	Quantity
Wood Rail	Foot	58



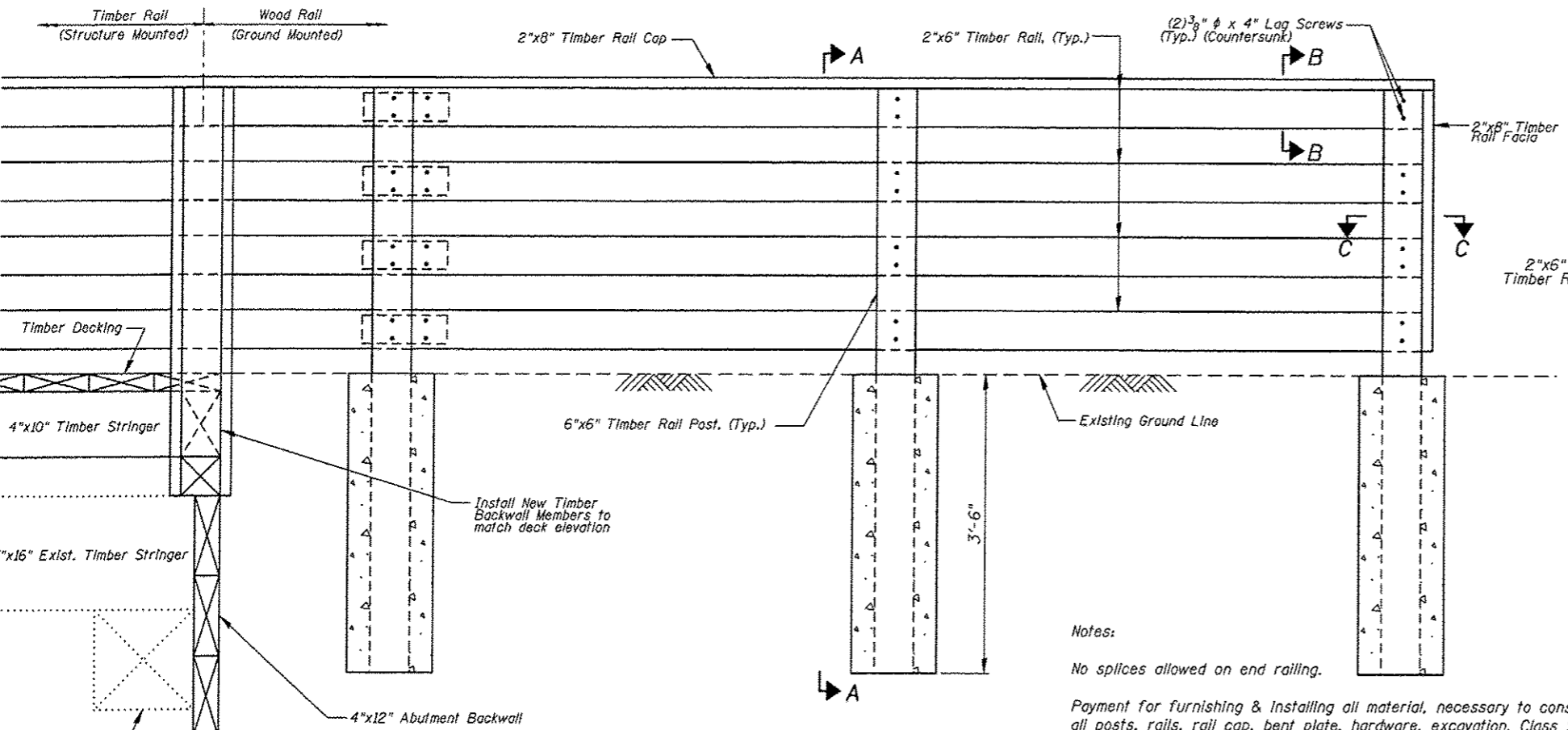
**PLAN**



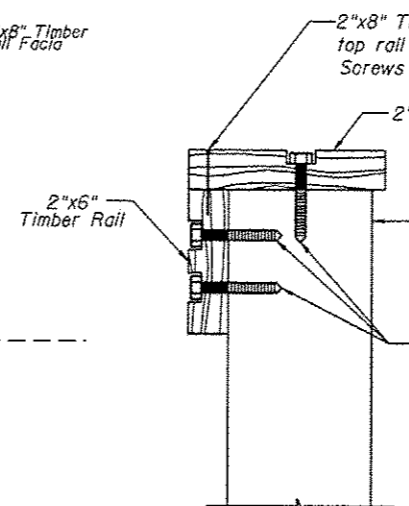
**BENT PLATE**



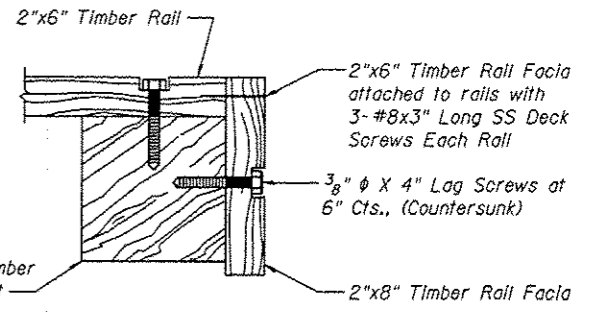
**SECTION A-A**



**ELEVATION**



**SECTION B-B**



**SECTION C-C**

**Notes:**

No splices allowed on end railing.

Payment for furnishing & installing all material, necessary to construct the wood rail, including all posts, rails, rail cap, bent plate, hardware, excavation, Class SI concrete and all other appurtenances and incidental work, complete in place, will be considered completely covered by the contract unit price per foot for Wood Rail.

\* Top of top timber rail shall be installed a minimum of 3'-6" above the finished groundline. Adjust post length according in field.

**WOOD RAIL DETAILS**

<p>Juneau Associates, Inc. P.C. CONSULTING ENGINEERS AND LAND SURVEYORS 2100 11th Street, P.O. Box 1125 Juneau, Alaska 99801 Phone: (907) 586-1100 Fax: (907) 586-1101</p>		<p>GLEN CARBON HERITAGE BIKE TRAIL OVER JUDY BRANCH MADISON COUNTY STATION 186+18.86 STRUCTURE NO. 5</p>									
<p>REVISIONS</p> <table border="1"> <thead> <tr> <th>NO.</th> <th>DATE</th> <th>BY</th> <th>REMARKS</th> </tr> </thead> <tbody> <tr> <td> </td> <td> </td> <td> </td> <td> </td> </tr> </tbody> </table>		NO.	DATE	BY	REMARKS					<p>SCALE: NOT TO SCALE, FOLLOW DIMENSIONS</p>	
NO.	DATE	BY	REMARKS								
<p>DGN NAME:</p>		<p>DSN. BY: DB</p>	<p>DATE: 10/18/12</p>								
<p>JOB NO. E064403</p>		<p>DWN. BY: EER</p>	<p>DATE: 10/18/12</p>								
<p>DGN NO.</p>		<p>CHK'D: WWH</p>	<p>DATE: 10/18/12</p>								
<p>OF 310 ERTS</p>		<p>SHEET 194</p>									

10:03:37 AM 12/19/2012 M:\STRUCTURE\064403 IACT Heritage Trail\Drawings\Structure\05\Proposed Structure (07-2012)\05\094 Fence Details.dgn