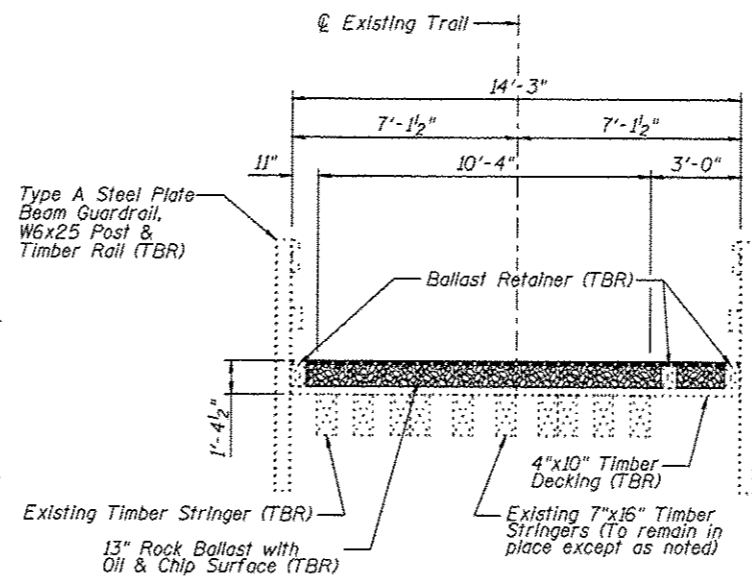
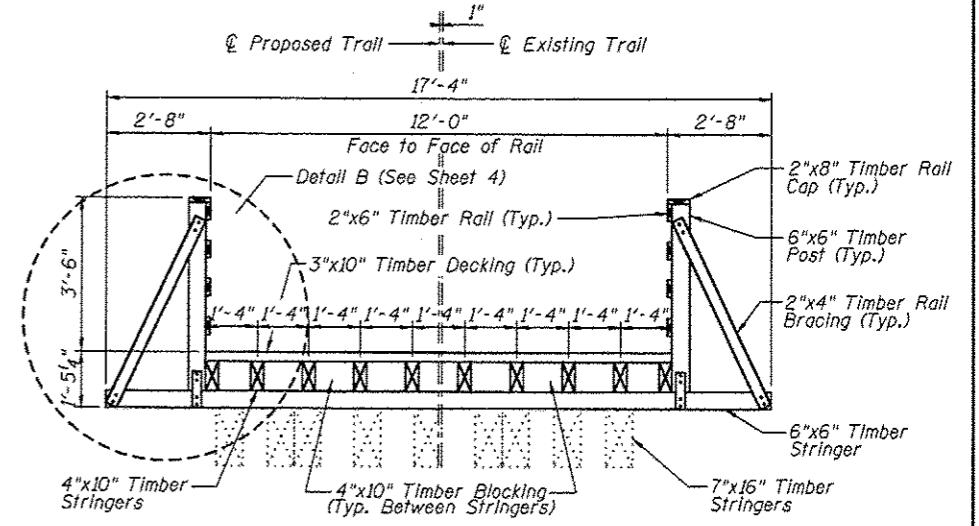


STONE RIPRAP DETAIL

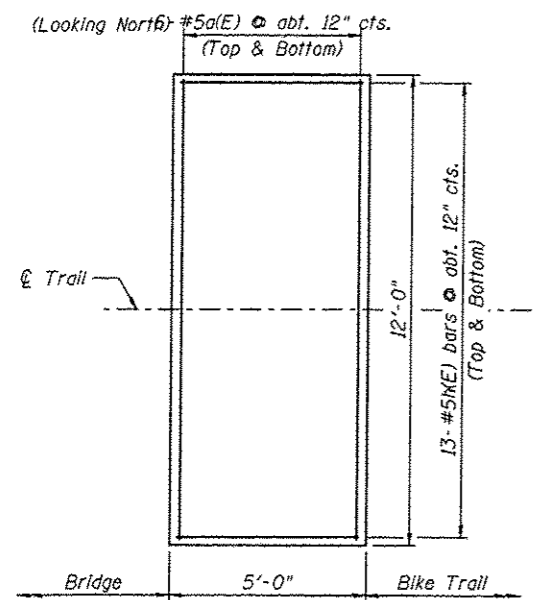
BRIDGE APPROACH PAVEMENT (SPECIAL) DETAIL



EXISTING CROSS SECTION  
(Looking North)

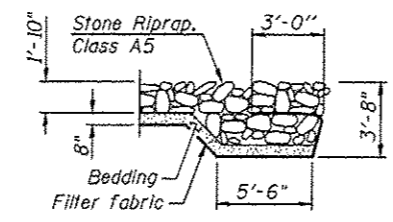


PROPOSED CROSS SECTION

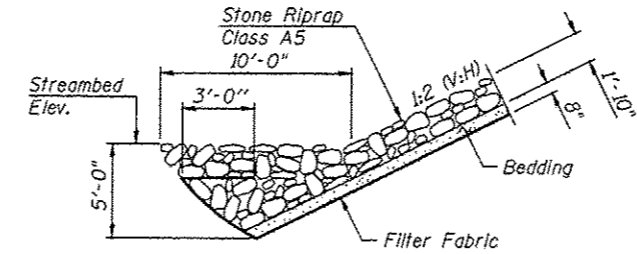


BRIDGE APPROACH PAVEMENT (SPECIAL) PLAN

Note: 276 Lbs. of epoxy coated reinforcement bars



SECTION A-A



SECTION B-B

BRIDGE APPROACH  
BILL OF MATERIAL

Item	Unit	Quantity
Porous Granular Embankment, Special	Cu. Yd.	17

Note:  
All dimensions are approximate.  
For Treated Timber quantity, see Sheet No. 4  
All new timber members shown shall be included in the pay item Treated Timber.

All items determined by the Engineer to have salvageable value, including the Type A Steel Plate Beam Guardrail, W6x25 Posts, 3"x8" Timber Rail and 7"x16" Timber Stringers in good condition, shall be transported and stored at locations and in a manner approved by the Engineer.

<p>Junear Associates, Inc. P.C. CONSULTING ENGINEERS AND LAND SURVEYORS 2100 State Street, P.O. Box 1225 Glen Carbon, IL 62426 Phone: (618) 932-1100 Fax: (618) 932-4541</p>		<p>GLEN CARBON HERITAGE BIKE TRAIL OVER JUDY BRANCH MADISON COUNTY STATION 198+54.27 STRUCTURE NO. 6</p>									
<p>REVISIONS</p> <table border="1"> <thead> <tr> <th>NO.</th> <th>DATE</th> <th>BY</th> <th>REMARKS</th> </tr> </thead> <tbody> <tr> <td></td> <td></td> <td></td> <td></td> </tr> </tbody> </table>		NO.	DATE	BY	REMARKS					<p>SCALE: NOT TO SCALE, FOLLOW DIMENSIONS</p>	
NO.	DATE	BY	REMARKS								
<p>NO. DATE BY REMARKS</p>		<p>DSN. BY: DB DATE: 10/18/12 SHEET</p>									
<p>DWN. BY: EER DATE: 10/18/12</p>		<p>201</p>									
<p>CHK'D: WWH DATE: 10/18/12</p>		<p>DGN NAME: JOB NO. E064403 DGN. NO. OF 810 SHEETS</p>									