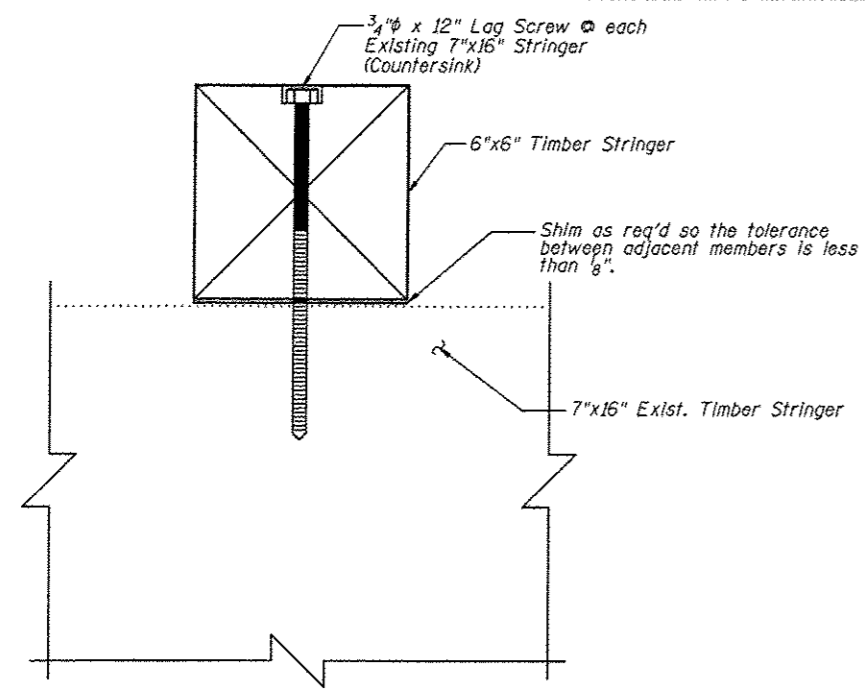
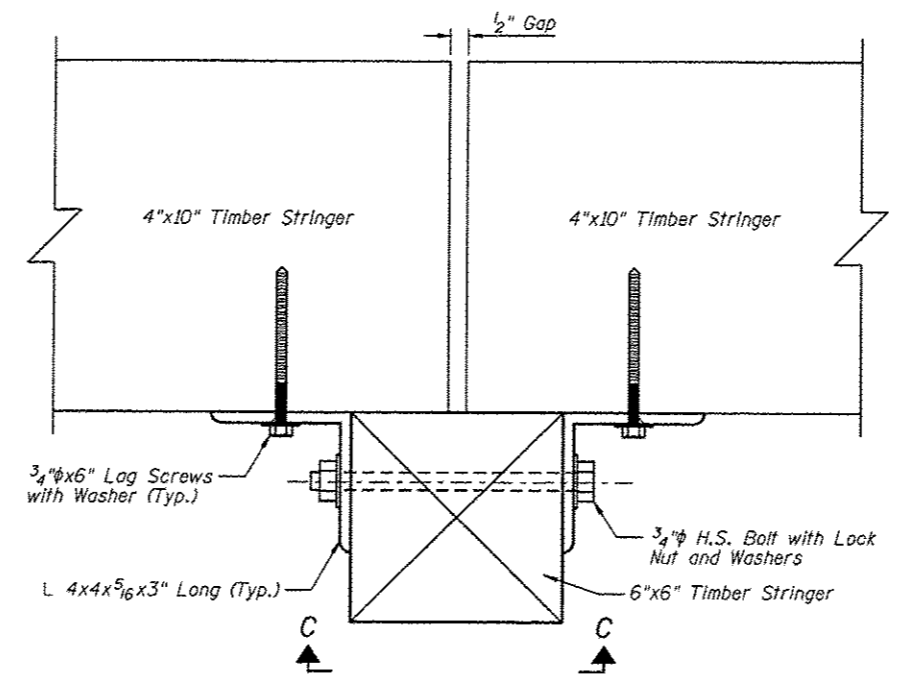


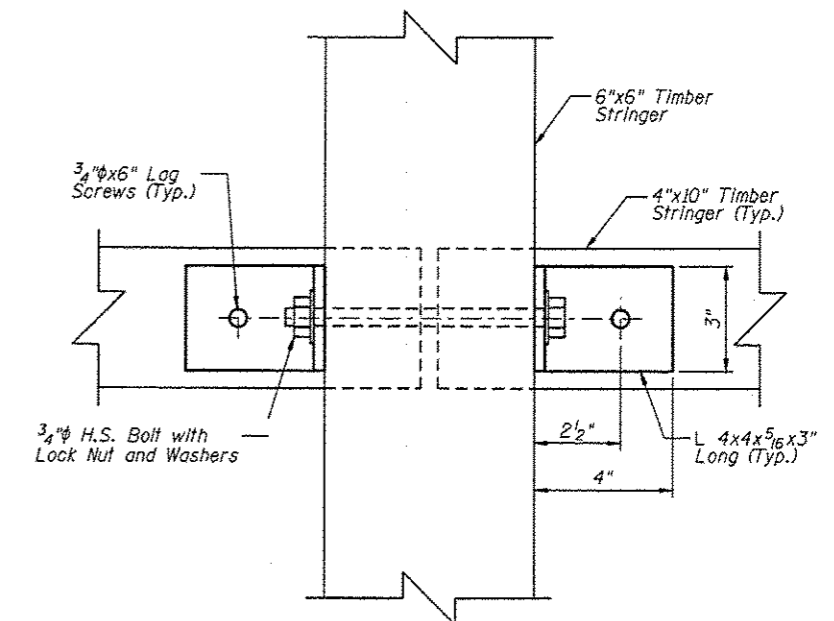
F.A.U. RTE.	SECTION	COUNTY	TOTAL SHEETS	SHEET NO.
	06-00016-00-BT	MADISON	310	202
FED. ROAD DIST. NO.	ILLINOIS CONTRACT NO.		97433	



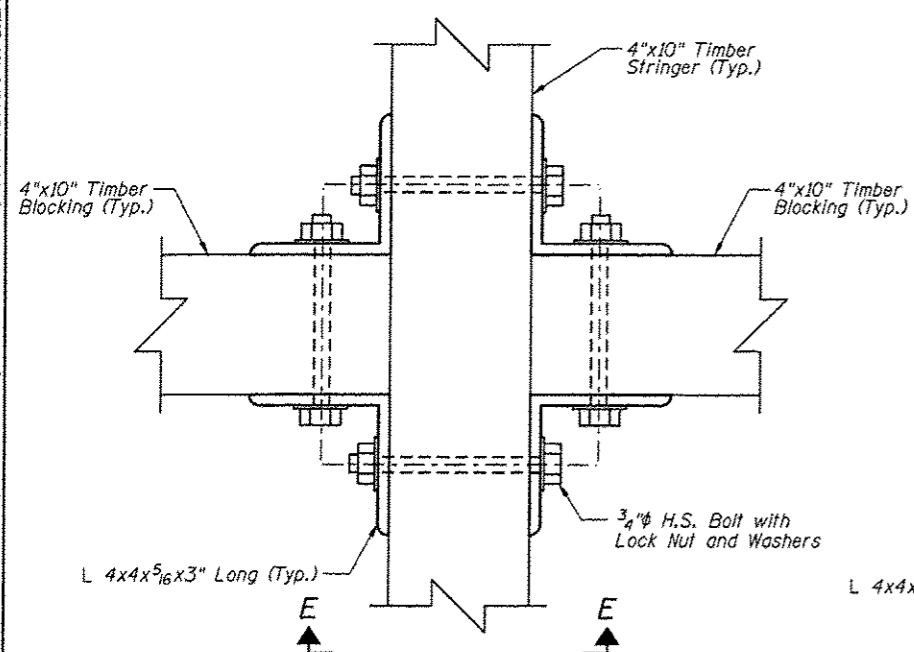
SECTION A-A



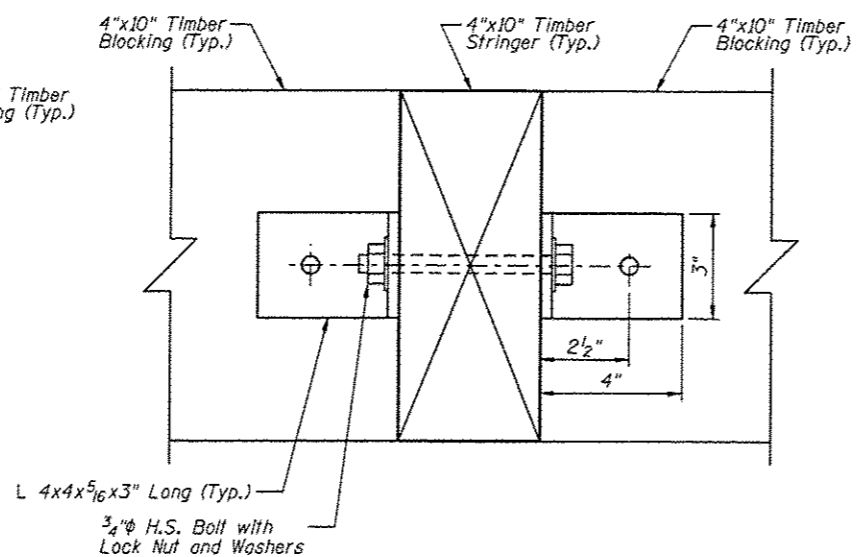
SECTION B-B
(Section G-G Similar)



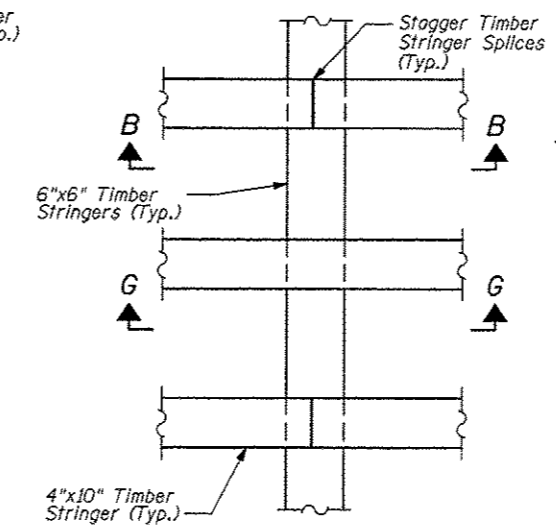
SECTION C-C



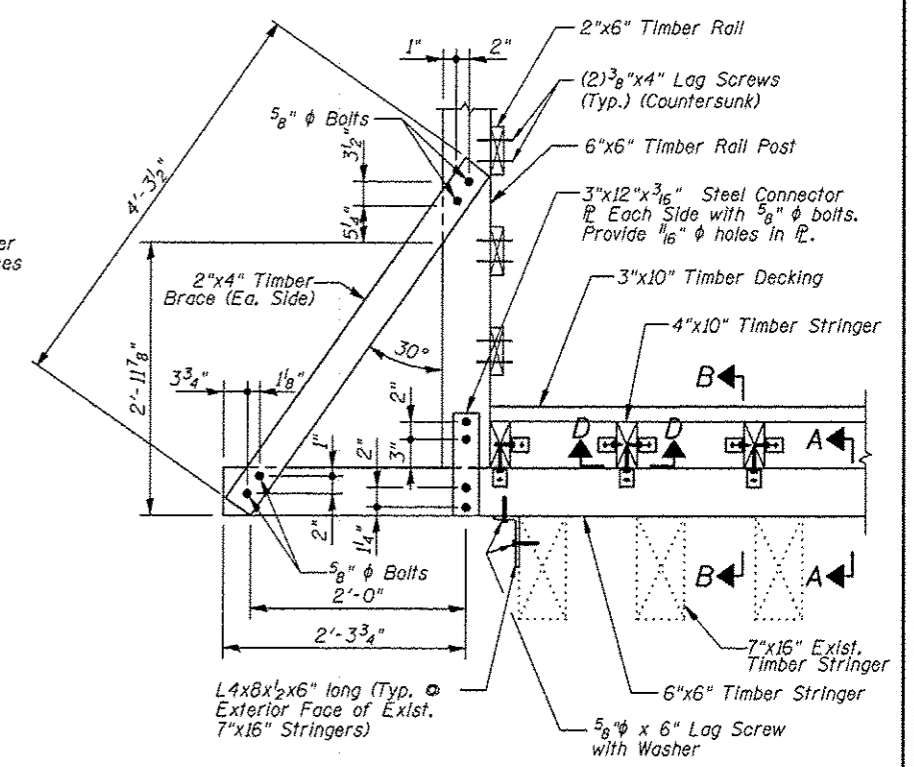
SECTION D-D



SECTION E-E



DETAIL A



DETAIL B

SUPERSTRUCTURE
BILL OF MATERIAL

Item	Unit	Quantity
Treated Timber	F.B.M.	6620

Note:

All new timber members shown shall be included in the pay item Treated Timber.

<p>Juneau Associates, Inc. P.C. CONSULTING ENGINEERS AND LAND SURVEYORS 2100 State Street, P.O. Box 1321 Juneau, Alaska 99801 Phone: (907) 586-1400 Fax: (907) 586-1400</p>		<p>GLEN CARBON HERITAGE BIKE TRAIL OVER JUDY BRANCH MADISON COUNTY STATION 198+54.27 STRUCTURE NO. 6</p>									
<p>REVISIONS</p> <table border="1"> <thead> <tr> <th>NO.</th> <th>DATE</th> <th>BY</th> <th>REMARKS</th> </tr> </thead> <tbody> <tr> <td> </td> <td> </td> <td> </td> <td> </td> </tr> </tbody> </table>		NO.	DATE	BY	REMARKS					<p>SCALE: NOT TO SCALE, FOLLOW DIMENSIONS</p>	
NO.	DATE	BY	REMARKS								
<p>DGN NAME:</p>		<p>JOB NO. E064403 DGN. NO. OF 310 SETS</p>									
<p>DSN. BY: DB DATE: 10/18/12</p>		<p>SHEET 202</p>									
<p>DWN. BY: EER DATE: 10/18/12</p>		<p>CHKD: WWH DATE: 10/18/12</p>									

10:04:05 AM 12/19/2012 M:\STRUCTURE\064403 MCT Heritage Trail\Drawings\Structure 06-00016-00-BT Connection Details.dgn