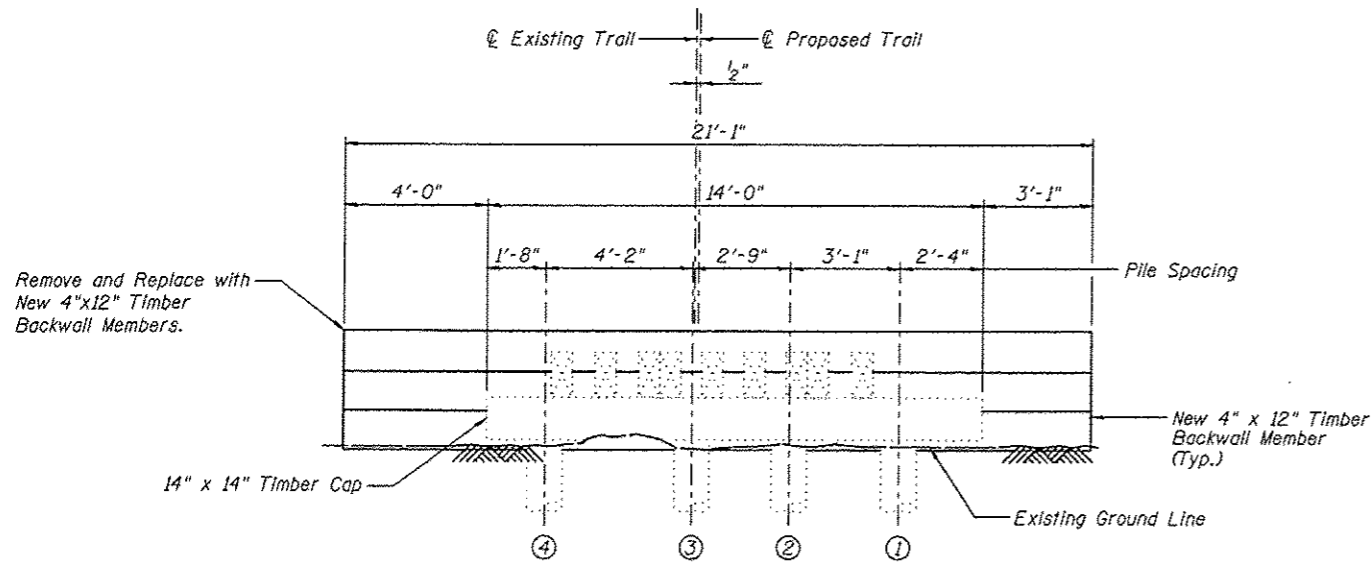
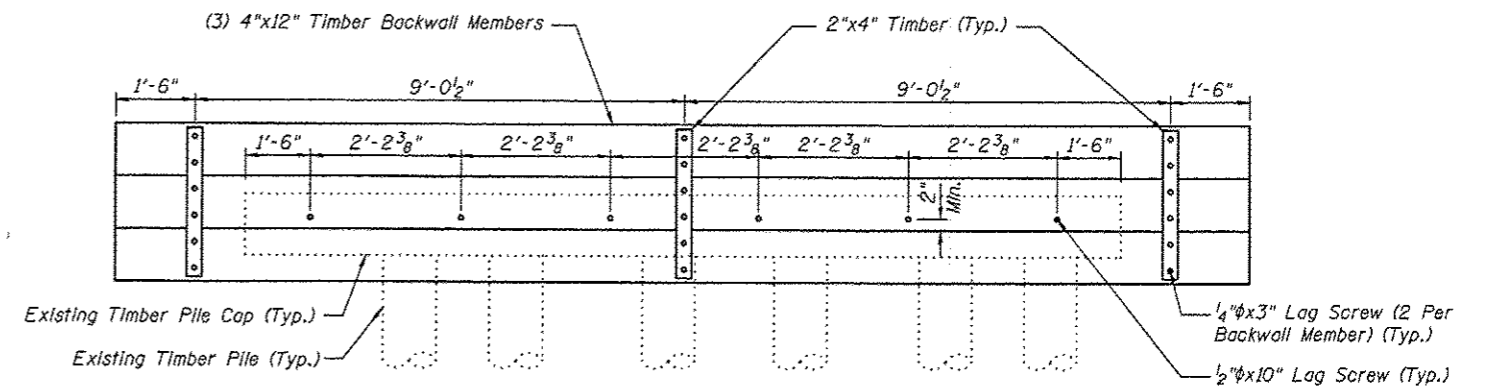


F.A.U. RTE.	SECTION	COUNTY	TOTAL SHEETS	SHEET NO.
	06-00016-00-BT	MADISON	310	204
FED. ROAD DIST. NO.	ILLINOIS	CONTRACT NO. 97433		



SOUTH ABUTMENT
(Looking South)



SOUTH ABUTMENT
(Looking North)

**SOUTH ABUTMENT
BILL OF MATERIAL**

Item	Unit	Quantity
Treated Timber	F.B.M.	259

Note:
All dimensions are approximate.
All new timber members shown shall be included in the pay item Treated Timber.

Juneau Associates, Inc. P.C. CONSULTING ENGINEERS AND LAND SURVEYORS 2108 State Street, P.O. Box 1070 Granite City, Illinois 62040 Phone: (618) 481-1100 Fax: (618) 481-2441		GLEN CARBON HERITAGE BIKE TRAIL OVER JUDY BRANCH MADISON COUNTY STATION 198+54.27 STRUCTURE NO. 6	
REVISIONS		SCALE: NOT TO SCALE, FOLLOW DIMENSIONS	
NO.	DATE	BY	REMARKS
DGN NAME:		DSN. BY: DB DWN. BY: EER CHK'D: WWH	DATE: 10/18/12 DATE: 10/18/12 DATE: 10/18/12
JOB NO. E064403		DGN. NO.	OF 310 SHEETS