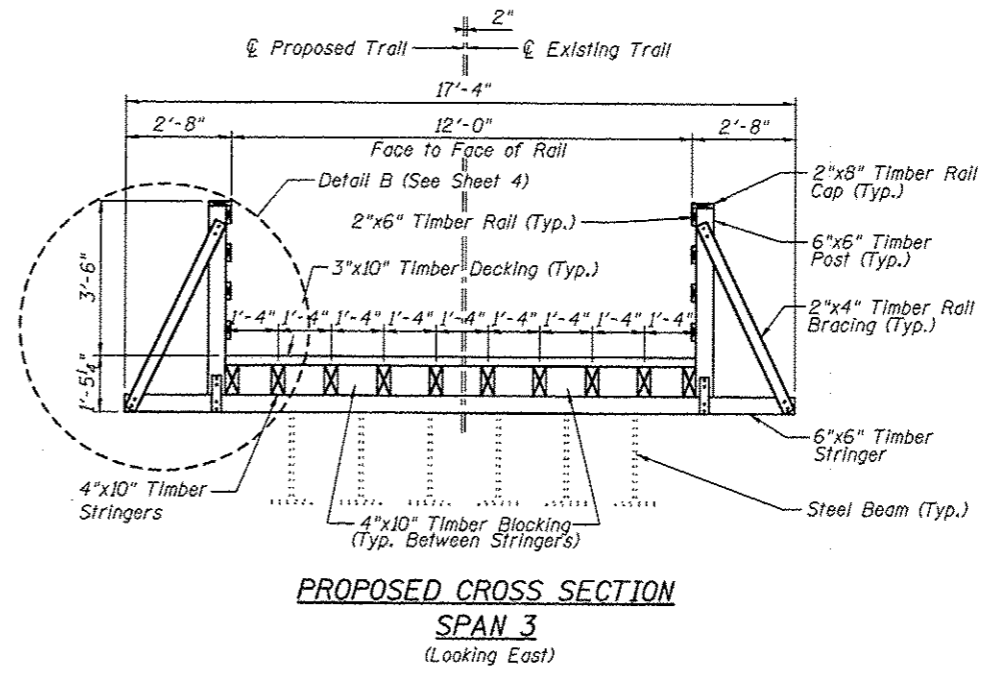
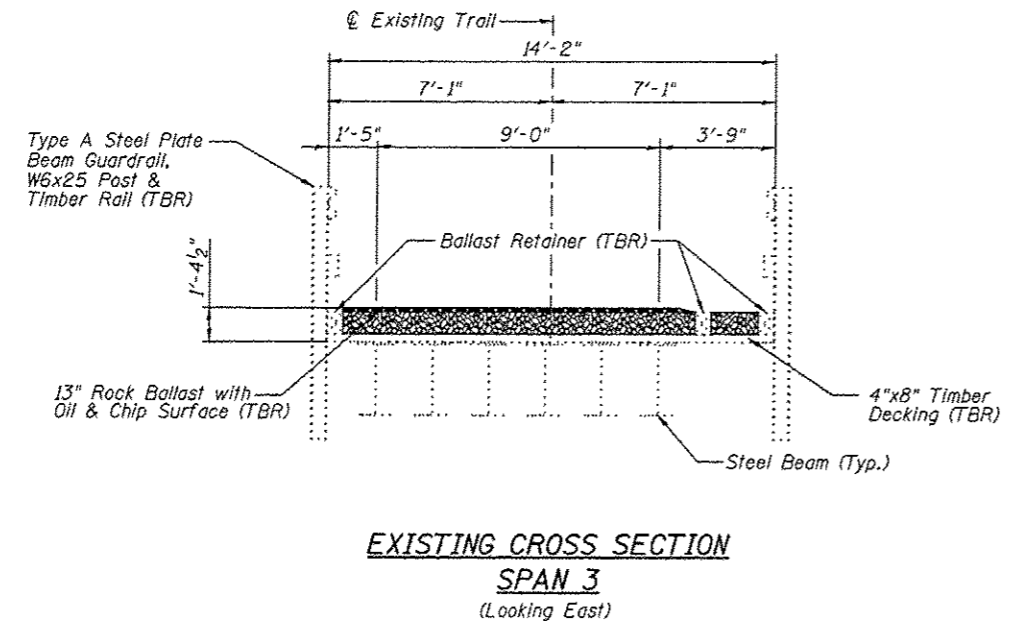
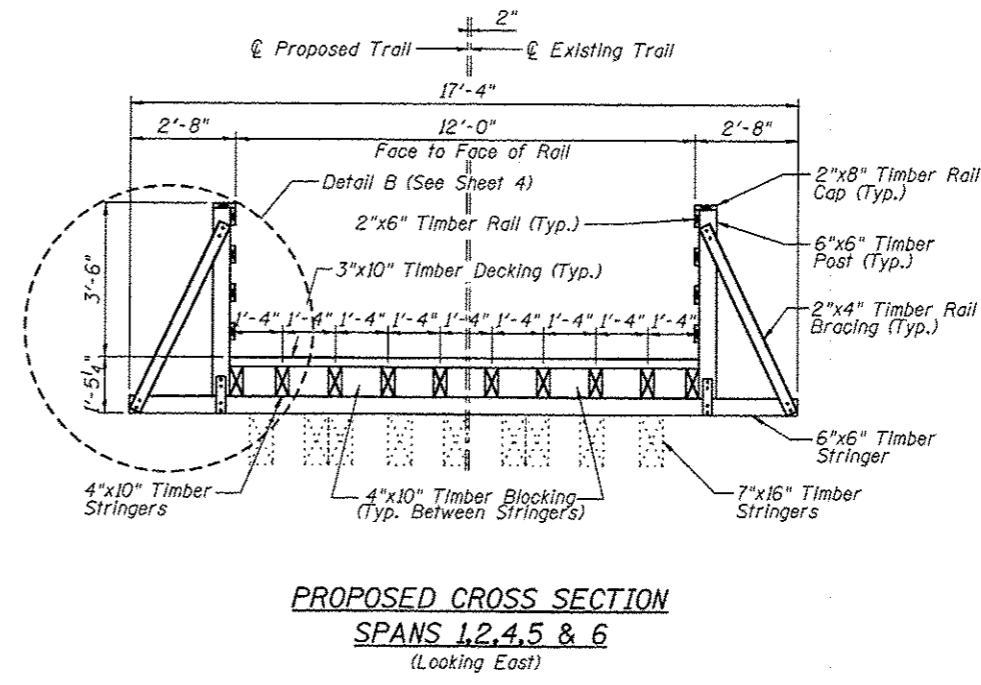
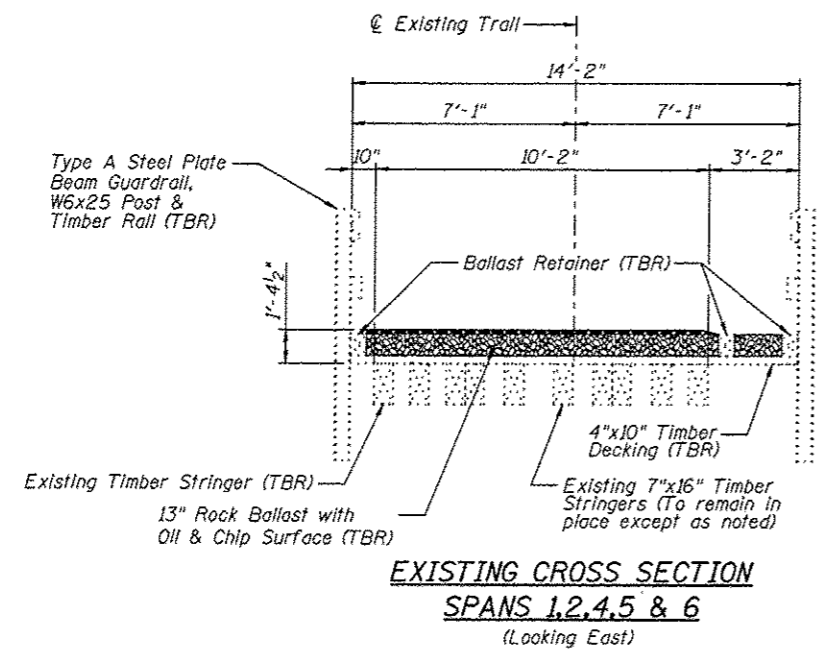


F.A.U. RTE.	SECTION	COUNTY	TOTAL SHEETS	SHEET NO.
	06-00016-00-BT	MADISON	310	211
FED. ROAD DIST. NO.	ILLINOIS CONTRACT NO.		97433	



Legend
TBR - To Be Removed

Note:
All dimensions are approximate.
For Treated Timber Quantity, see Sheet No. 5
All new timber members shown shall be included in the pay item Treated Timber.

Juneau Associates, Inc. P.C. CONSULTING ENGINEERS AND LAND SURVEYORS 2120 State Street, P.O. Box 1225 Oneonta, N.Y. 13827-0225 Phone: 607-337-4100 Fax: 607-337-4541		GLEN CARBON HERITAGE BIKE TRAIL OVER JUDY BRANCH MADISON COUNTY STATION 227+74.04 STRUCTURE NO. 8	
REVISIONS NO. DATE BY REMARKS		SCALE: NOT TO SCALE, FOLLOW DIMENSIONS	
DSN. BY:	DB	DATE:	10/18/12
DWN. BY:	EER	DATE:	10/18/12
CHK'D:	WWH	DATE:	10/18/12
DGN. NAME:	JOB NO. E064403	DGN. NO.	OF 310 SHEETS

Printed 10:04:36 AM 12/19/2012 W:\STRUCTURE\064403 MCT Heritage Trail\Drawings\Structure -08\Proposed Structure (07-2012)\04\2012 Cross Sections.dgn