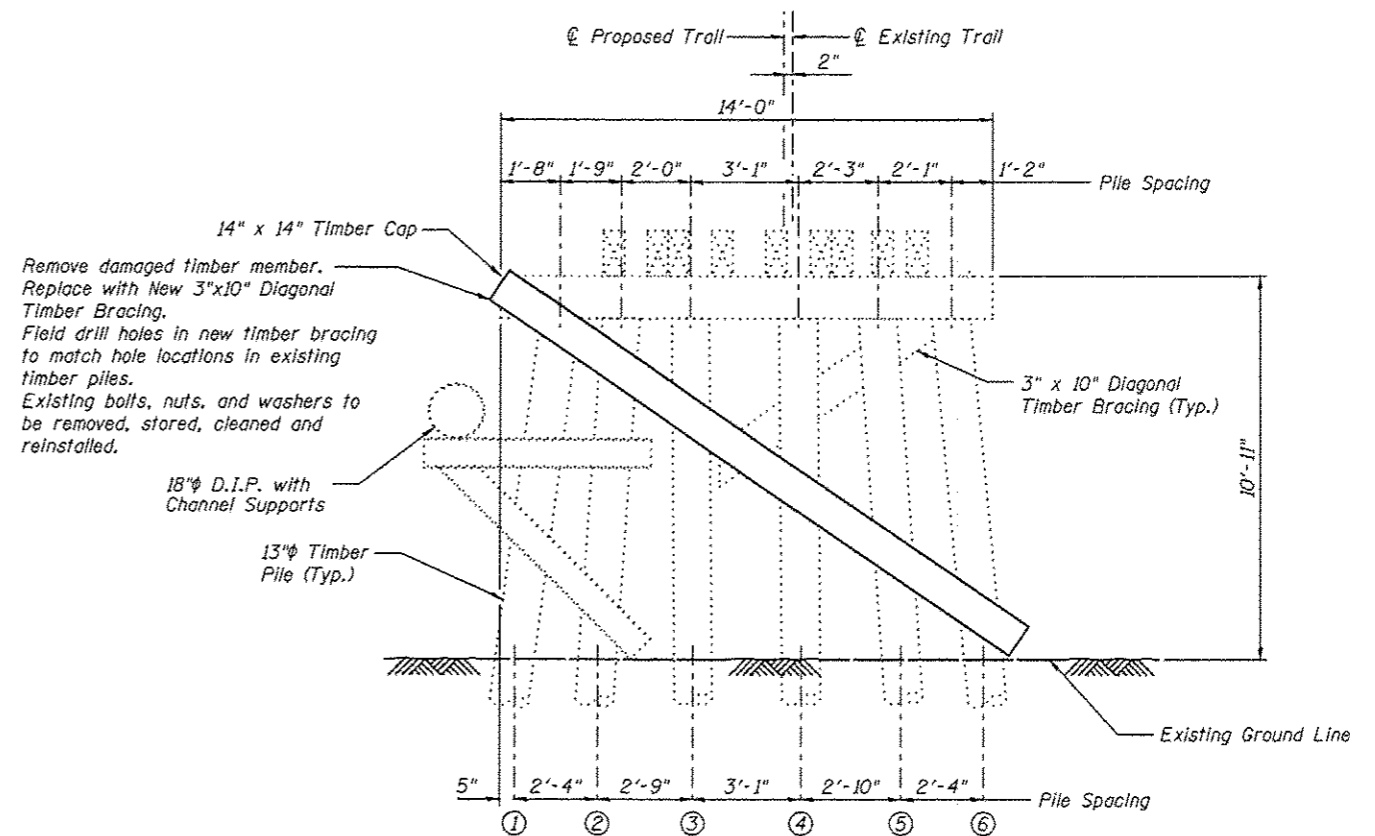


PIER 3
(Looking East)

**PIER 3
BILL OF MATERIAL**

Item	Unit	Quantity
Treated Timber	F.B.M.	13

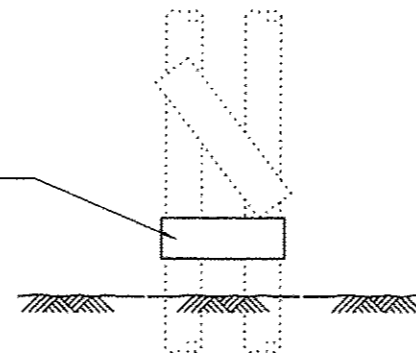


PIER 4
(Looking East)

**PIER 4
BILL OF MATERIAL**

Item	Unit	Quantity
Treated Timber	F.B.M.	50

Remove damaged timber member. Replace with New 3"x10" Timber Bracing. Field drill holes in new timber bracing to match hole locations in existing timber piles. Existing bolts, nuts, and washers to be removed, stored, cleaned and reinstalled.



VIEW A-A

Note:
All dimensions are approximate.
All new timber members shown shall be included in the pay item Treated Timber.

PIER 3 & PIER 4 DETAILS			
<p>Juneau Associates, Inc. P.C. CONSULTING ENGINEERS AND LAND SURVEYORS 2100 State Street, P.O. Box 1225 Juneau, Alaska 99801 Phone: (907) 586-4200 Fax: (907) 586-4201</p>		<p>GLEN CARBON HERITAGE BIKE TRAIL OVER JUDY BRANCH MADISON COUNTY STATION 227+74.04 STRUCTURE NO. 8</p>	
REVISIONS			
NO.	DATE	BY	REMARKS
SCALE: NOT TO SCALE, FOLLOW DIMENSIONS			
DSN. BY:	DB	DATE:	10/18/12
DWN. BY:	EER	DATE:	10/18/12
CHK'D:	WWH	DATE:	10/18/12
DGN. NAME:	JOB NO. E064403	DGN. NO.	OF 210 SHEETS