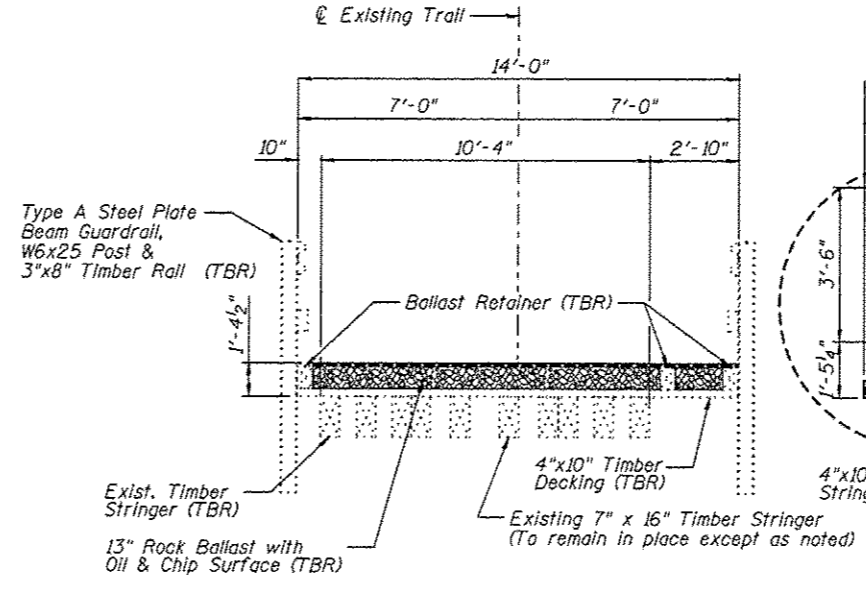
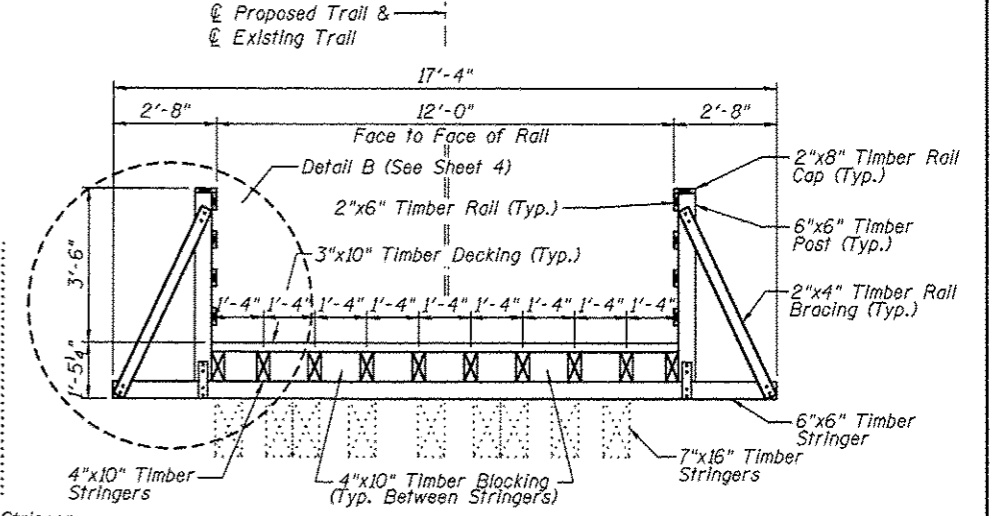


STONE RIPRAP DETAIL

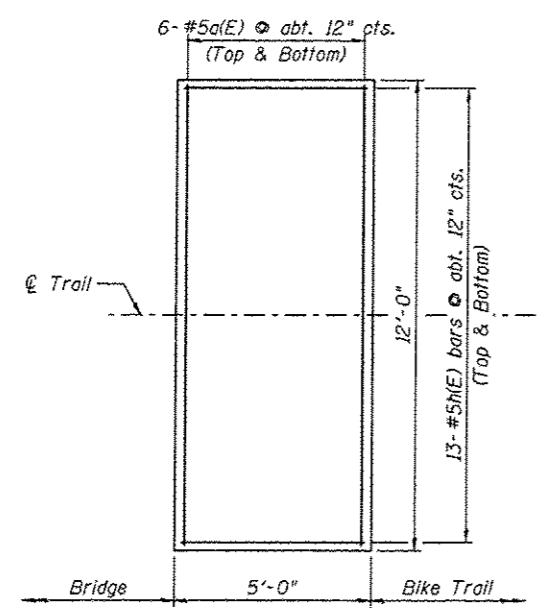
BRIDGE APPROACH PAVEMENT (SPECIAL) DETAIL



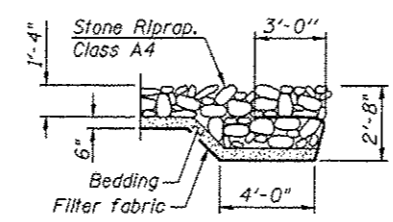
EXISTING CROSS SECTION
(Looking East)



PROPOSED CROSS SECTION
(Looking East)



BRIDGE APPROACH PAVEMENT (SPECIAL) PLAN
Note: 276 Lbs. of epoxy coated reinforcement bars



SECTION A-A

BRIDGE APPROACH
BILL OF MATERIAL

Item	Unit	Quantity
Porous Granular Embankment, Special	Cu. Yd.	17

Note:
All dimensions are approximate.
For Treated Timber quantity, see Sheet No. 4
All new timber members shown shall be included in the pay item Treated Timber.
All items determined by the Engineer to have salvageable value, including the Type A Steel Plate Beam Guardrail, W6x25 Posts, 3"x8" Timber Rail and 7"x16" Timber Stringers in good condition, shall be transported and stored at locations and in a manner approved by the Engineer.

<p>Juneau Associates, Inc. P.C. CONSULTING ENGINEERS AND LAND SURVEYORS 2100 State Street, P.O. Box 1325 Juneau, Alaska 99801 Phone: (907) 586-1400 Fax: (907) 586-1401</p>		<p>GLEN CARBON HERITAGE BIKE TRAIL OVER JUDY BRANCH MADISON COUNTY STATION 233+36.38 STRUCTURE NO. 9</p>									
<p>REVISIONS</p> <table border="1"> <thead> <tr> <th>NO.</th> <th>DATE</th> <th>BY</th> <th>REMARKS</th> </tr> </thead> <tbody> <tr> <td></td> <td></td> <td></td> <td></td> </tr> </tbody> </table>		NO.	DATE	BY	REMARKS					<p>CROSS SECTIONS</p> <p>SCALE: NOT TO SCALE, FOLLOW DIMENSIONS</p>	
NO.	DATE	BY	REMARKS								
<p>DGN NAME:</p>		<p>DSN. BY: DB</p>	<p>DATE: 10/18/12</p>								
		<p>DWN. BY: EER</p>	<p>DATE: 10/18/12</p>								
		<p>CHK'D: WWH</p>	<p>DATE: 10/18/12</p>								
		<p>JOB NO. E064403</p>	<p>DGN. NO. OF 810 SHTS</p>								