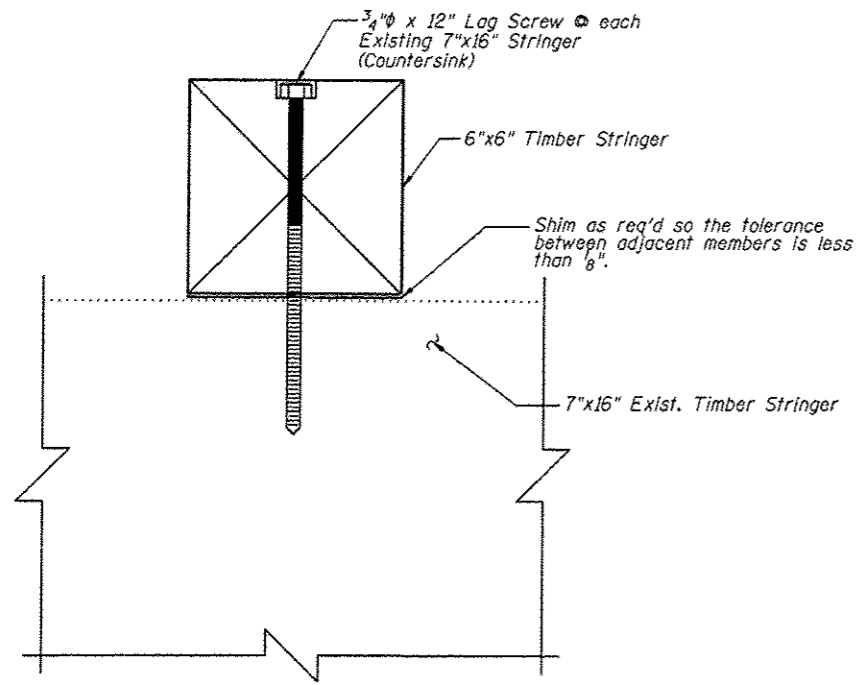
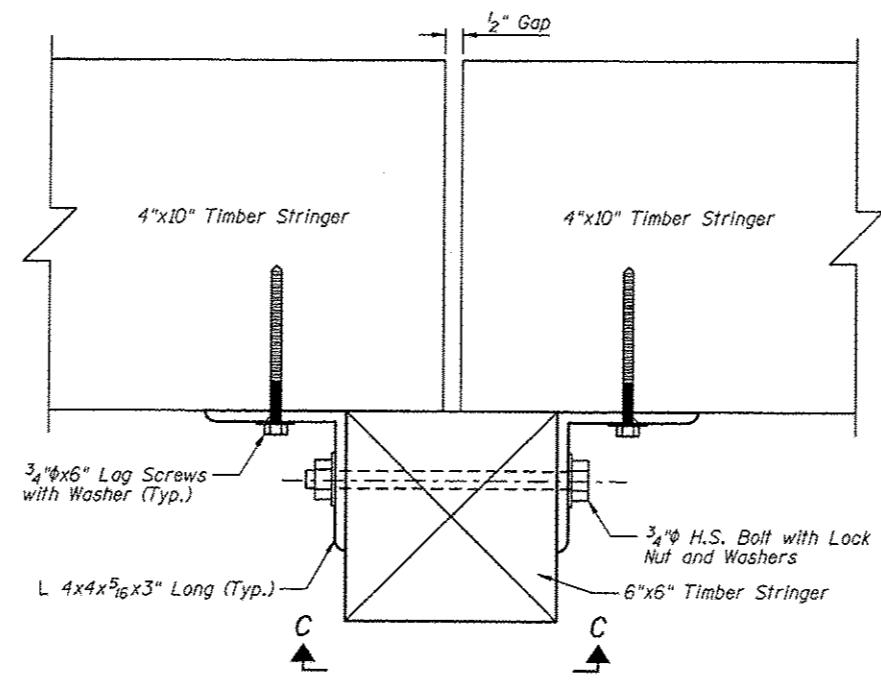


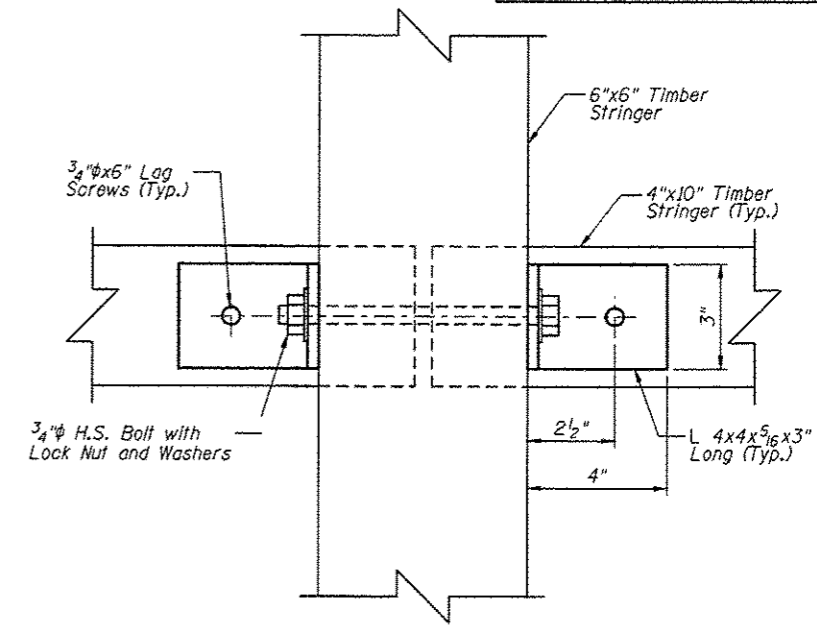
F.A.J. RTE.	SECTION	COUNTY	TOTAL SHEETS	SHEET NO.
	06-0016-00-BT	MADISON	310	230
FED. ROAD DIST. NO.	ILLINOIS	CONTRACT NO. 97433		



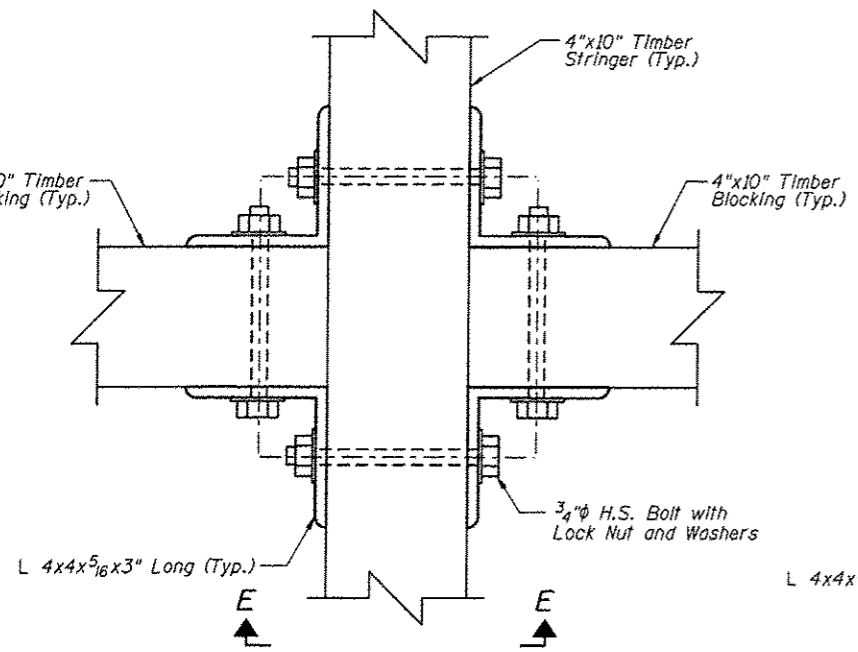
SECTION A-A



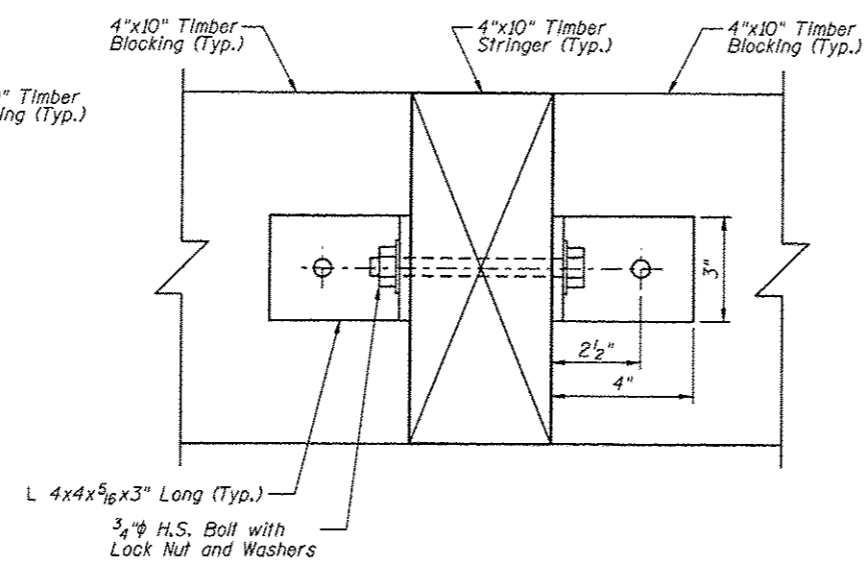
SECTION B-B
(Section G-G Similar)



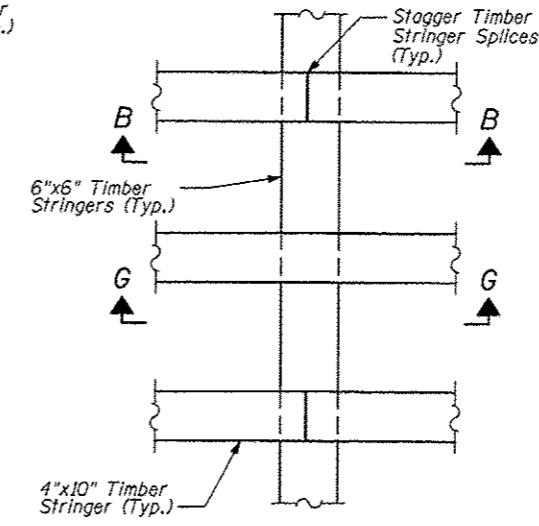
SECTION C-C



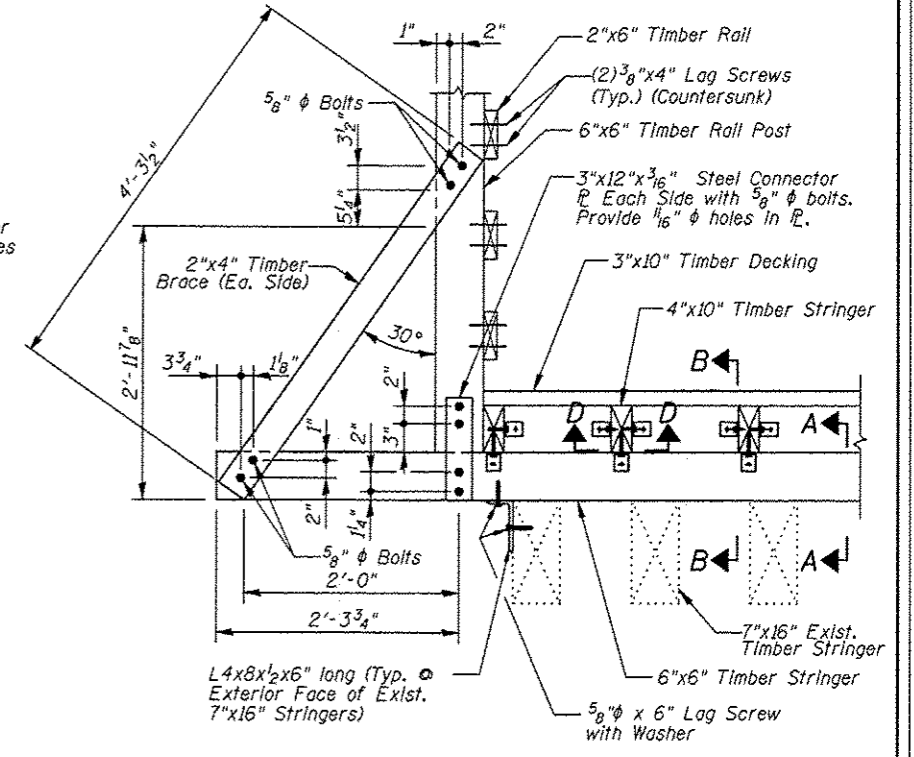
SECTION D-D



SECTION E-E



DETAIL A



DETAIL B

SUPERSTRUCTURE
BILL OF MATERIAL

Item	Unit	Quantity
Treated Timber	F.B.M.	9675

Note:

All new timber members shown shall be included in the pay item Treated Timber.

Juneau Associates, Inc. P.C. CONSULTING ENGINEERS AND LAND SURVEYORS 2100 State Street, P.O. Box 1205 Escanaba, Michigan 49829 Phone: (517) 681-1100 Fax: (517) 681-5511		GLEN CARBON HERITAGE BIKE TRAIL OVER AN UNNAMED CREEK MADISON COUNTY STATION 387+75.21 STRUCTURE NO. 11	
REVISIONS NO. DATE BY REMARKS		SCALE: NOT TO SCALE, FOLLOW DIMENSIONS	
DGN. BY: DB DATE: 10/18/12 SHEET		230	
DWN. BY: EER DATE: 10/18/12		CHK'D: WHH DATE: 10/18/12	
DGN NAME:		JOB NO. E064403 DGN. NO. OF 310 SHEETS	

P:\Info\104051\11 AM 12/19/2012 MW\STRUCTURE\064403 MCT Heritage Trail\Drawings\Structure - Proposed Structure 107-202(1041230) Connection Details.dgn