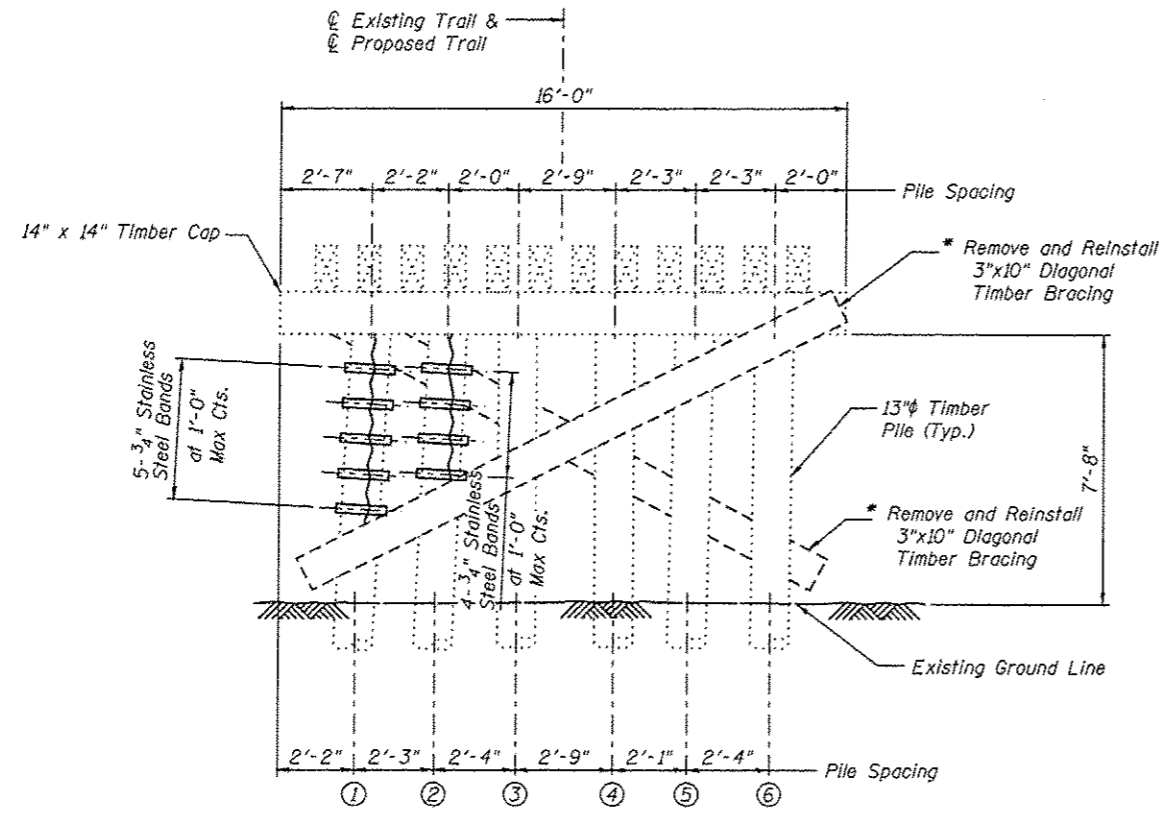


F.A.U. RTE.	SECTION	COUNTY	TOTAL SHEETS	SHEET NO.
	06-00016-00-BT	MADISON	310	236
FED. ROAD DIST. NO.	ILLINOIS	CONTRACT NO.	97433	

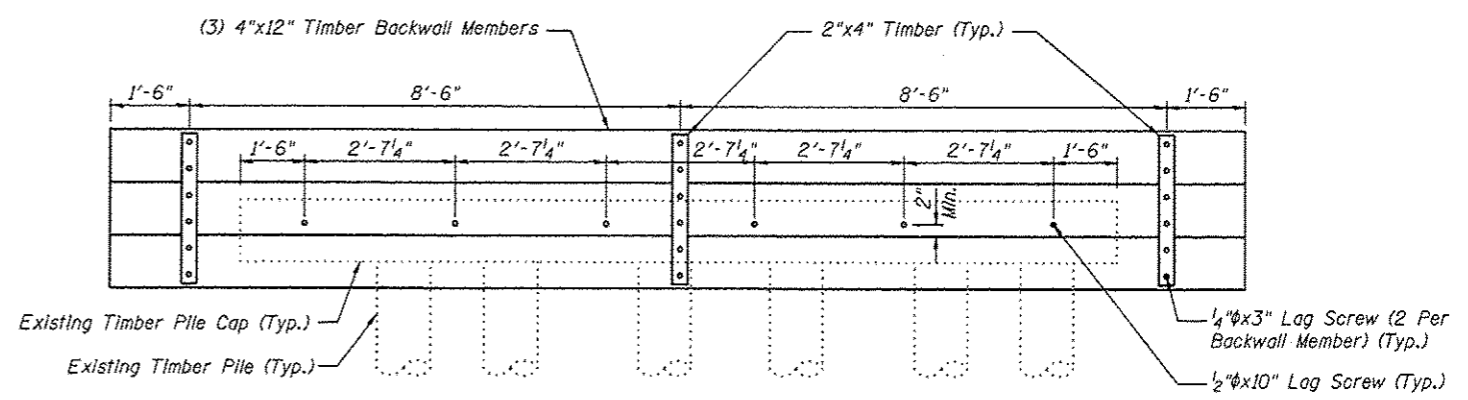
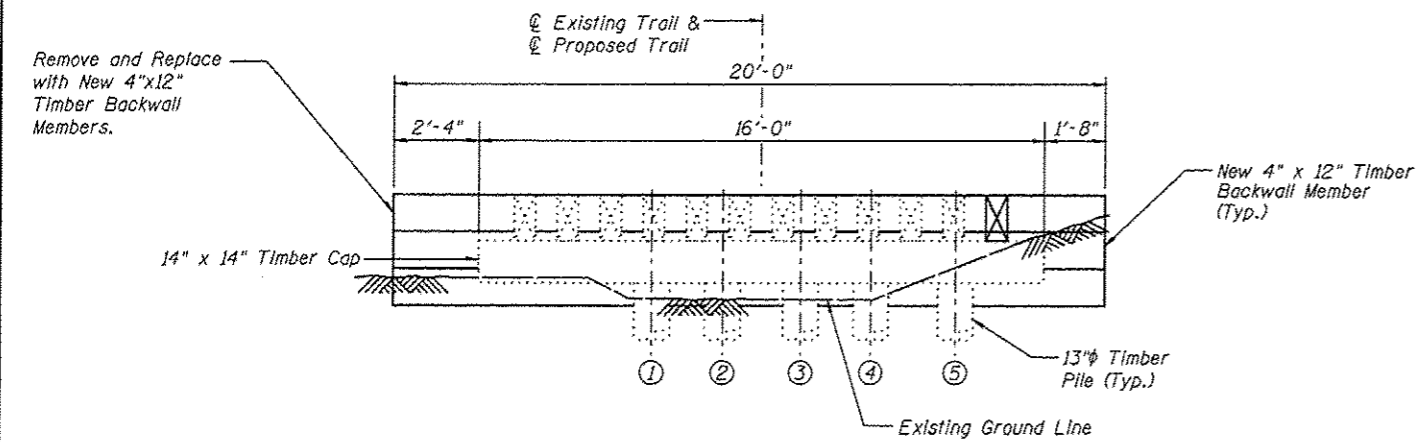


**PIER 6
BILL OF MATERIAL**

Item	Unit	Quantity
Stainless Steel Bands	Foot	31

**EAST ABUTMENT
BILL OF MATERIAL**

Item	Unit	Quantity
Treated Timber	F.B.M.	246



**EAST ABUTMENT
(Looking East)**

**EAST ABUTMENT
(Looking West)**

Notes:

All dimensions are approximate.

All new timber members shown shall be included in the pay item Treated Timber.

* The existing timber bracing shall be reinstalled after the installation of the Stainless Steel Bands. Existing bolts, nuts, and washers to be removed, cleaned and reinstalled. Cost of removing and relocating the existing timber bracing shall be included with Concrete Encasement.

PIER 6 & EAST ABUTMENT DETAILS

Juneau Associates, Inc. P.C.
CONSULTING ENGINEERS AND LAND SURVEYORS
2108 State Street, P.O. Box 1025
Granite City, Illinois 62041
Phone: (618) 436-1900
Fax: (618) 436-1901

**GLEN CARBON HERITAGE
BIKE TRAIL OVER AN UNNAMED CREEK
MADISON COUNTY
STATION 387+75.21
STRUCTURE NO. 11**

REVISIONS			
NO.	DATE	BY	REMARKS

SCALE: NOT TO SCALE, FOLLOW DIMENSIONS

DSN. BY: DB	DATE: 10/18/12	SHEET 236
DWN. BY: EER	DATE: 10/18/12	
CHR'D: WWH	DATE: 10/18/12	

DGN NAME: JOB NO. E064403 DGN. NO. OF 310 SHEETS

Printed 10/06/00 AM 12/18/2012 W:\STRUCTURE\Drawings\Structure #1\Proposed Structure (07-2012)\012361 E Abut.dgn