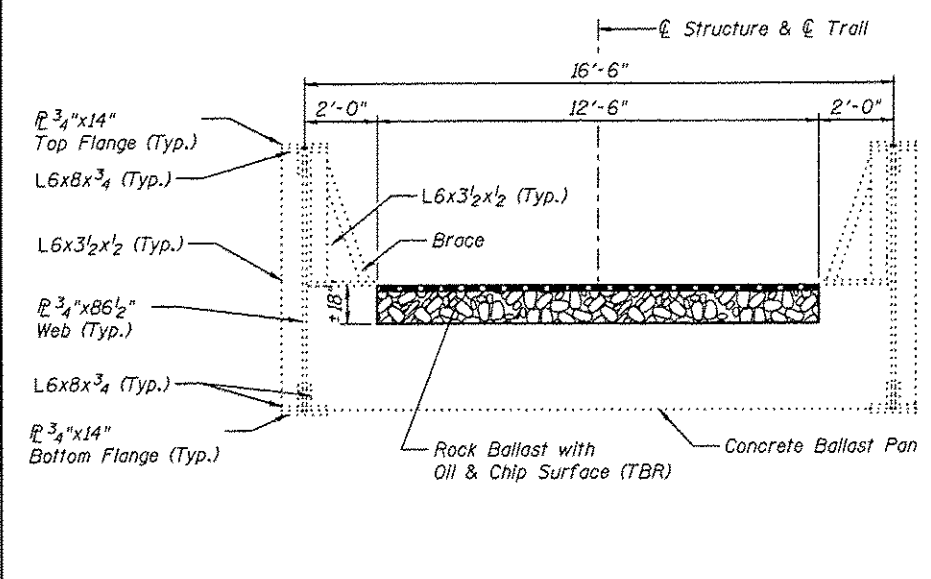
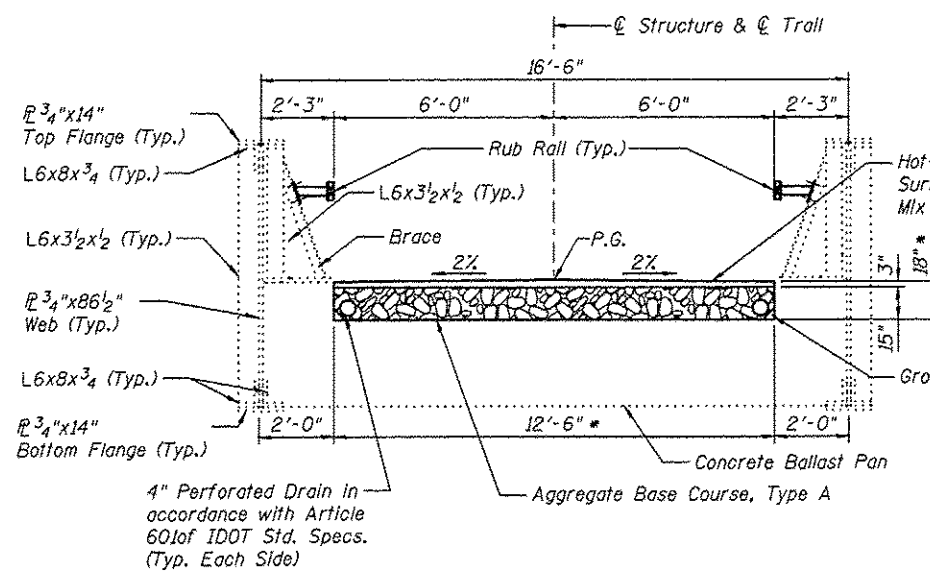


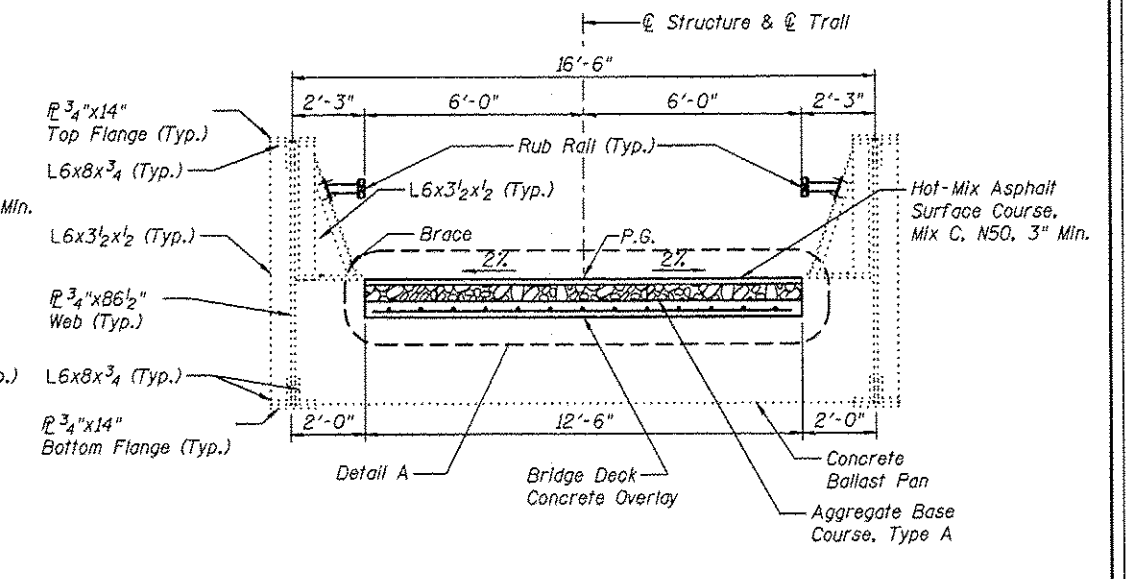
F.A.U. RTE.	SECTION	COUNTY	TOTAL SHEETS	SHEET NO.
	06-00016-00-BT	MADISON	310	240
FED. ROAD DIST. NO.	ILLINOIS CONTRACT NO.		97433	



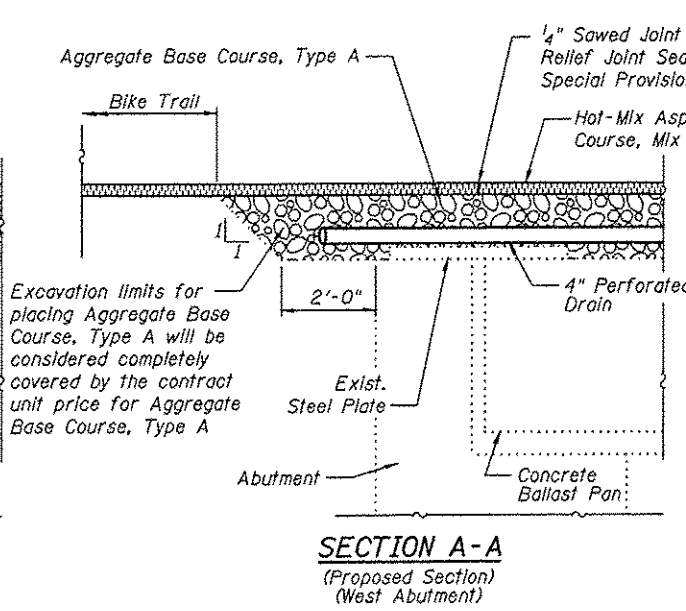
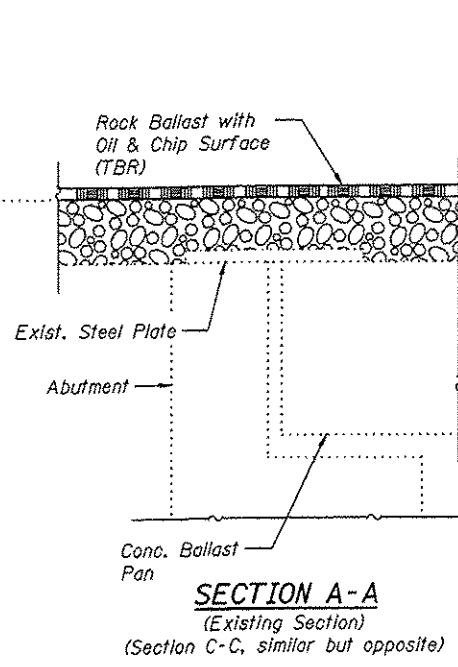
EXISTING CROSS SECTION
(Looking East)



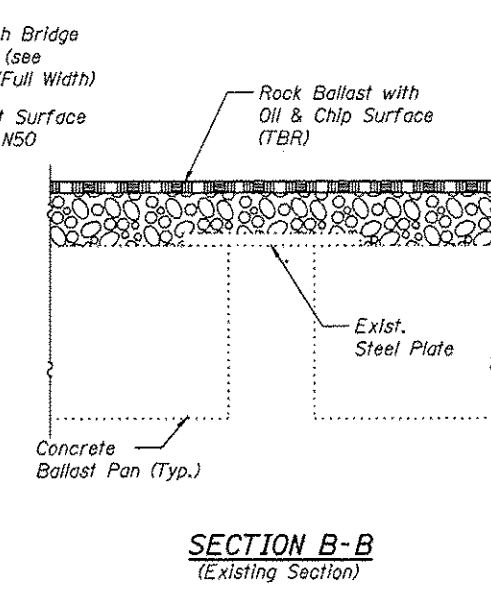
PROPOSED CROSS SECTION
(Looking East)



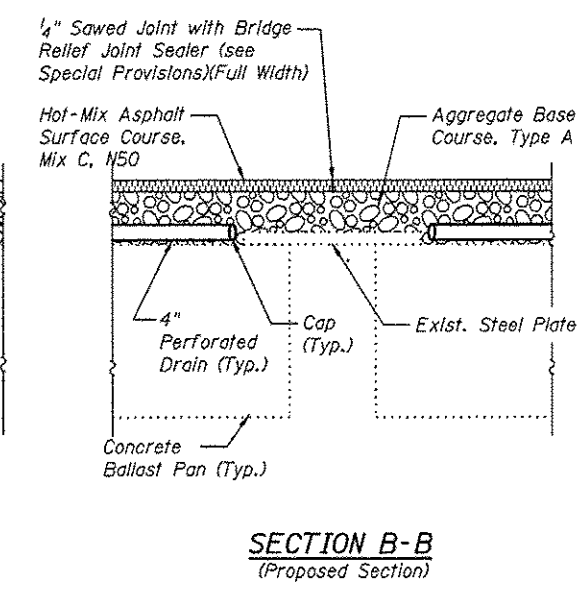
SECTION D-D
(Looking East)



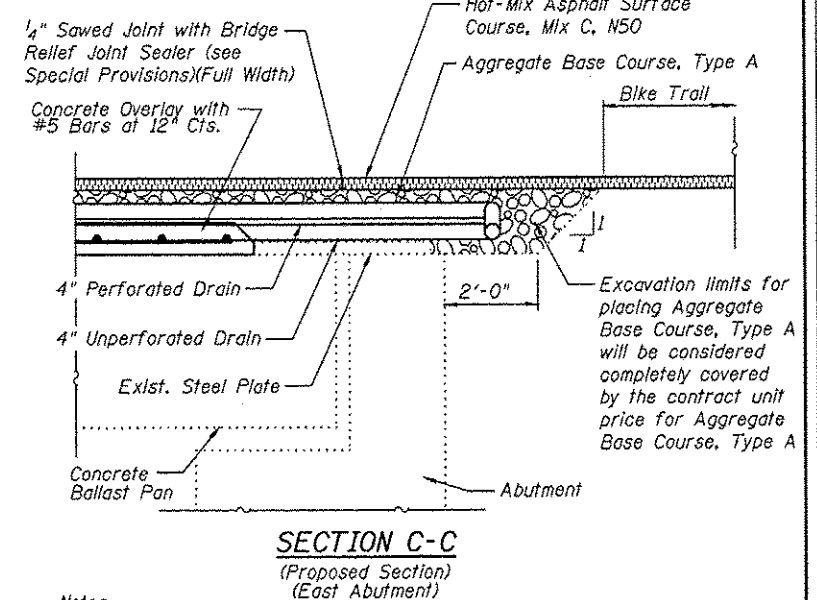
SECTION A-A
(Proposed Section)
(West Abutment)



SECTION B-B
(Existing Section)



SECTION B-B
(Proposed Section)



SECTION C-C
(Proposed Section)
(East Abutment)

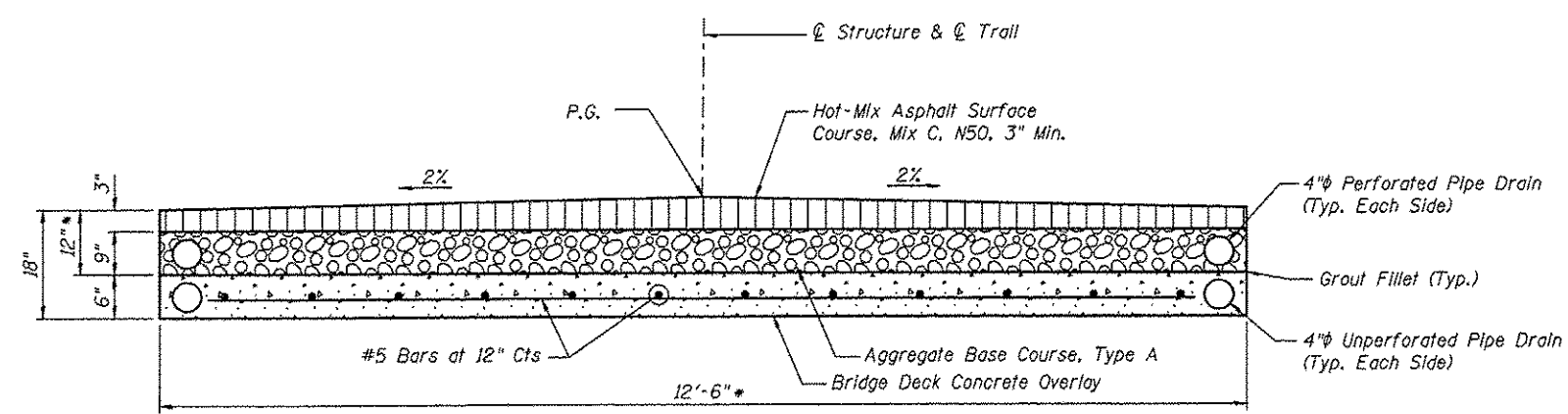
Notes:

All dimensions are approximate.

For location of Section A-A, B-B, C-C and D-D, see Sheet 1

Included in the cost of Pipe Underdrains for Structures.

* Limits of Waterproofing Membrane System. The Waterproofing Membrane System shall consist of penetrating primer, a built-up coal tar pitch emulsion membrane with two plies of coated glass fabric, and a 1/2" thick asphalt sand seal protection layer. The Waterproofing Membrane System shall be per Section 581 of the IDOT Standard Specifications for Road and Bridge Construction (Latest Edition)



DETAIL A

<p>Juneau Associates, Inc. P.C. CONSULTING ENGINEERS AND LAND SURVEYORS 1100 North State Street, Suite 1100 Chicago, IL 60610 Phone: (312) 467-1100 Fax: (312) 467-1101</p>				<p>CROSS SECTIONS</p> <p>GLEN CARBON HERITAGE BIKE TRAIL OVER INERSTATE 55 MADISON COUNTY STATION 389+60 STRUCTURE 12</p>							
				<p>SCALE: NOT TO SCALE, FOLLOW DIMENSIONS</p>							
<p>REVISIONS</p> <table border="1"> <thead> <tr> <th>NO.</th> <th>DATE</th> <th>BY</th> <th>REMARKS</th> </tr> </thead> <tbody> <tr> <td> </td> <td> </td> <td> </td> <td> </td> </tr> </tbody> </table>				NO.	DATE	BY	REMARKS				
NO.	DATE	BY	REMARKS								
<p>DSN. BY: DB DATE: 10/18/12 SHEET</p>		<p>240</p>									
<p>DWN. BY: EER DATE: 10/18/12</p>		<p>CHK'D: WWH DATE: 10/18/12</p>									
<p>DGN NAME:</p>		<p>JOB NO. E064403 DGN. NO. OF 810 SHEETS</p>									

12/21/2012 10:06:02 AM W:\STRUCT\LE064403 MCT Heritage Trail\Drawings\Structure 12\Proposed Structures (07-2012)\04240_Cross Sections.dgn