

WEST APPROACH

EAST APPROACH

PLAN

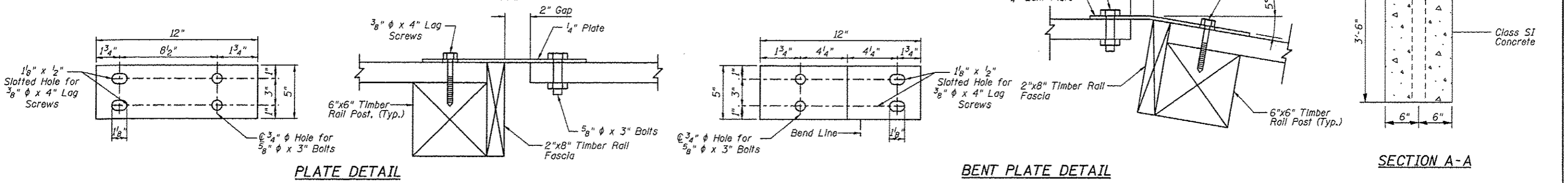
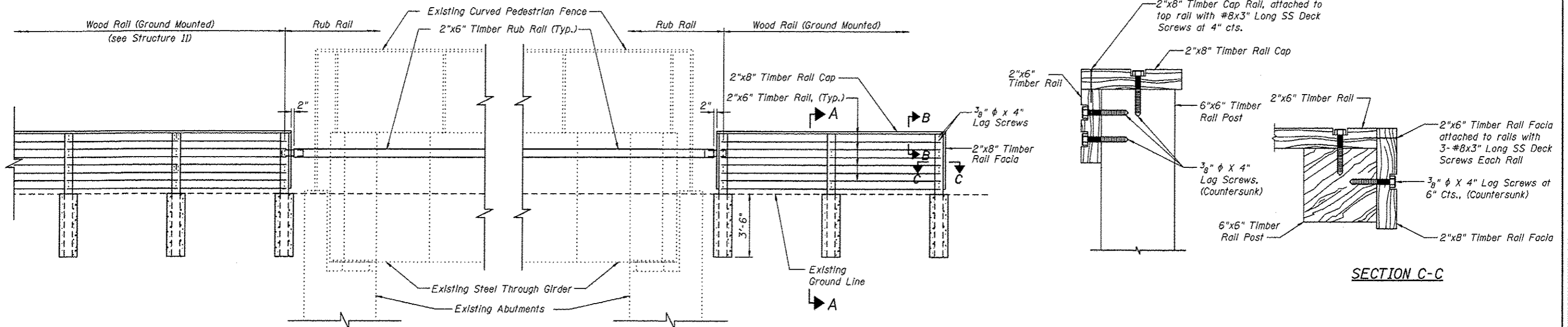


PLATE DETAIL

BENT PLATE DETAIL

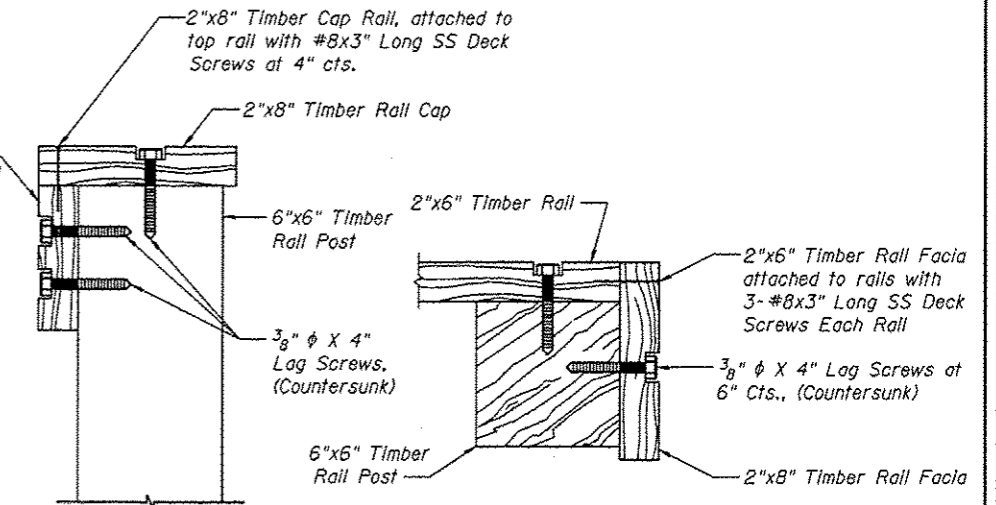
SECTION A-A



WEST APPROACH

EAST APPROACH

ELEVATION



SECTION C-C

WOOD RAIL
BILL OF MATERIAL

Item	Unit	Quantity
Wood Rail	Foot	24

No splices allowed on end railing.

Payment for furnishing & installing all material, necessary to construct the wood rail, including all posts, rails, rail cap, bent plate, hardware, excavation, Class SI concrete and all other appurtenances and incidental work, complete in place, will be considered completely covered by the contract unit price per foot for wood rail.

* Top of top timber rail shall be installed a minimum of 3'-6" above the finished groundline. Adjust post length according in field.

<p>Juneau Associates, Inc. P.C. CONSULTING ENGINEERS AND LAND SURVEYORS 2150 Sheila Street, P.O. Box 1325 Granite City, Illinois 62404 Phone: (618) 317-1400 Fax: (618) 317-0411</p>		<p>GLEN CARBON HERITAGE BIKE TRAIL OVER INERSTATE 55 MADISON COUNTY STATION 389+60 STRUCTURE 12</p>									
<p>REVISIONS</p> <table border="1"> <thead> <tr> <th>NO.</th> <th>DATE</th> <th>BY</th> <th>REMARKS</th> </tr> </thead> <tbody> <tr> <td> </td> <td> </td> <td> </td> <td> </td> </tr> </tbody> </table>		NO.	DATE	BY	REMARKS					<p>SCALE: NOT TO SCALE, FOLLOW DIMENSIONS</p>	
NO.	DATE	BY	REMARKS								
<p>DGN. BY: DB</p>		<p>DATE: 10/18/12</p>									
<p>DWN. BY: EER</p>		<p>DATE: 10/18/12</p>									
<p>CHK'D: WWH</p>		<p>DATE: 10/18/12</p>									
<p>DGN NAME:</p>		<p>JOB NO. E064403 DGN. NO. OF 810 SHEETS</p>									

Printed: 11/06/07 AM 12/21/2012 W:\STRUCTURE\ED64403\WCT_HarTrage_Trail\Drawings\Structure #12\Proposed Structure 01-2012\105X240 Fence Details.dgn