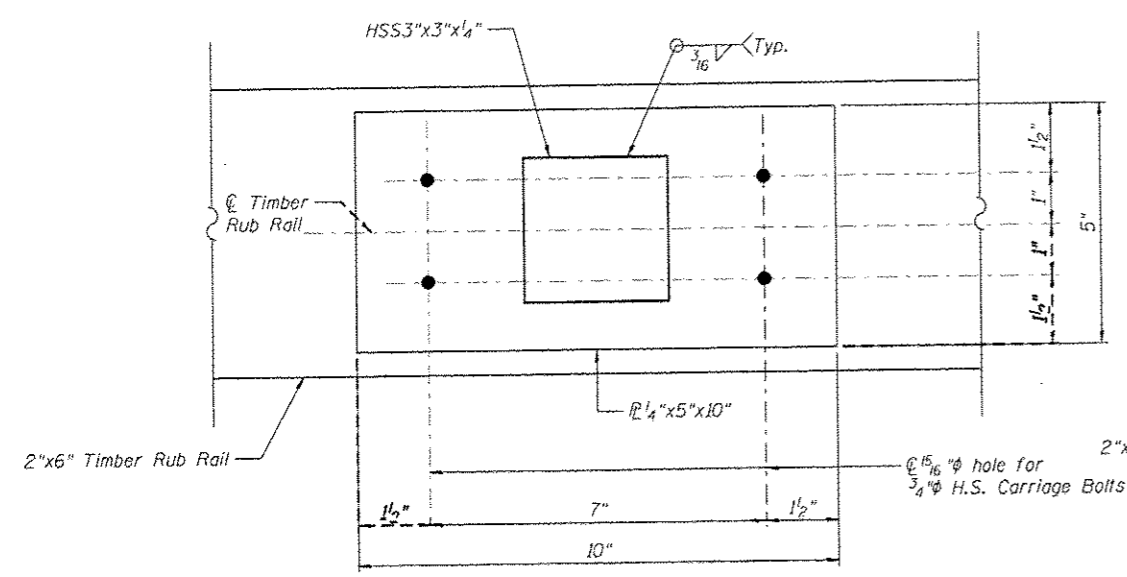
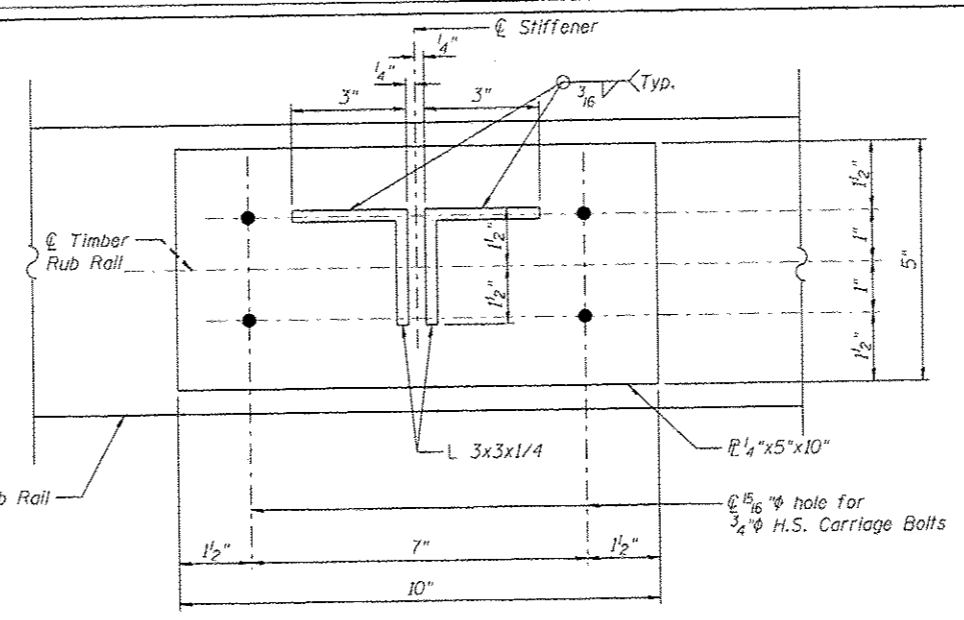


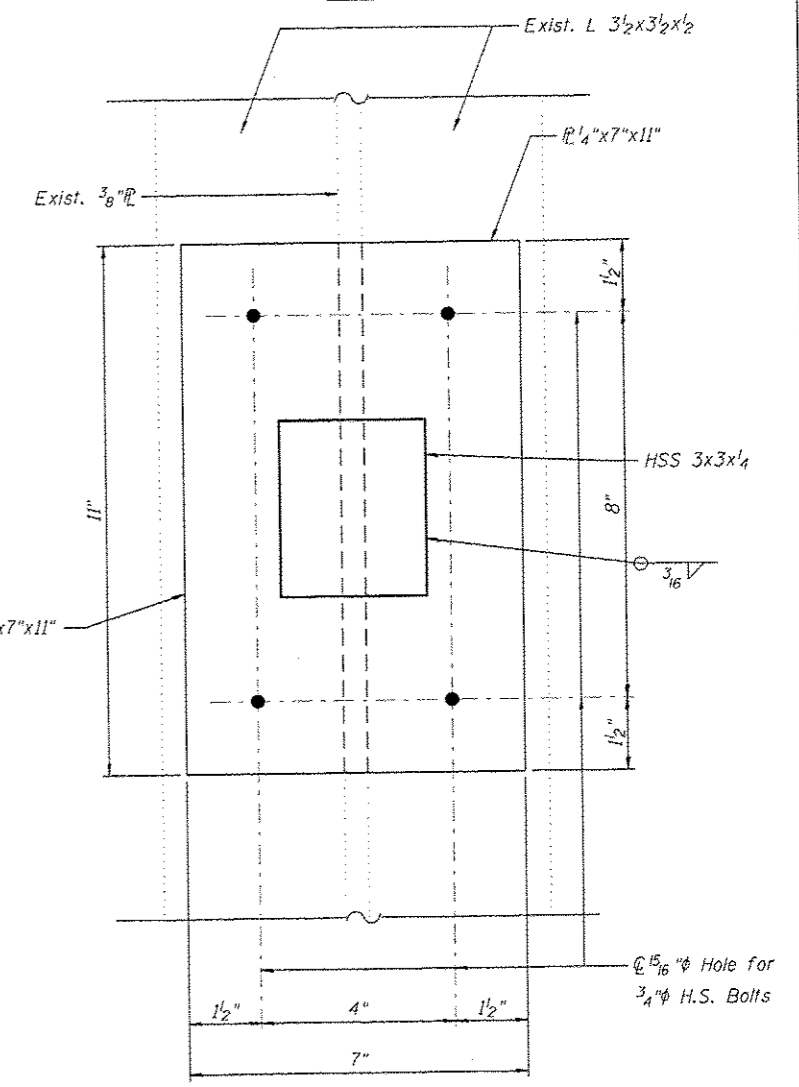
F.A.U. RTE.	SECTION	COUNTY	TOTAL SHEETS	SHEET NO.
	06-00016-00-BT	MADISON	310	242
FED. ROAD DIST. NO.	ILLINOIS	CONTRACT NO.	97433	



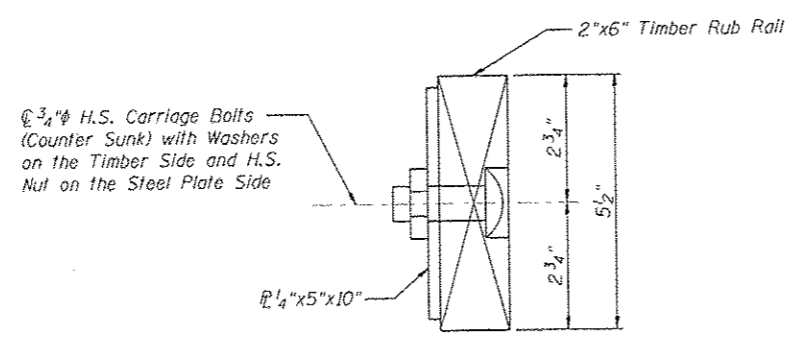
SECTION A-A



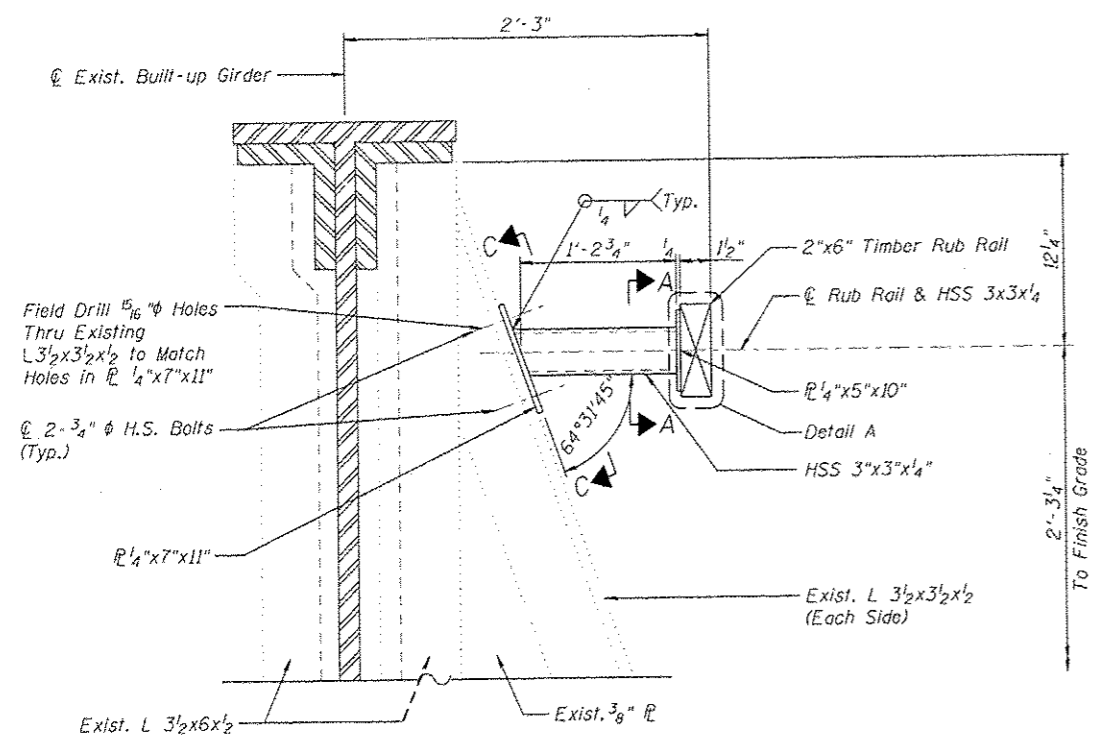
SECTION B-B



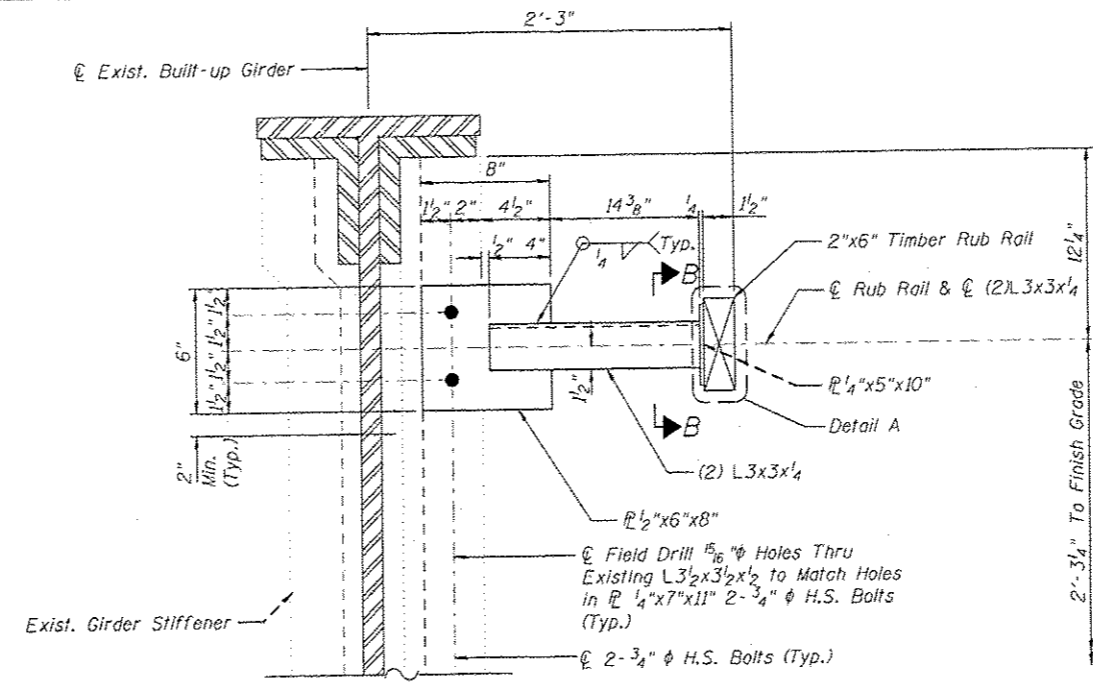
SECTION C-C



DETAIL A



AT REINFORCED STIFFENER  
(No. Required = 28)



AT STIFFENER  
(No. Required = 28)

Notes:

Rub Rail Steel Support Structure shall be hot dipped galvanized.

All new structural steel, including hollow tubing, angles and plates, shall conform to AASHTO M270 in accordance with Article 1006.04 and shall be hot dipped galvanized according to AASHTO M232. All hardware including bolts, washers and nuts shall be stainless steel in accordance with Article 1006.29(d) of the Standard Specifications.

Payment for furnishing and installing all material and labor necessary to construct the rub rail, including the plates, steel tubing, angles, hot dipped galvanizing, field drilling existing structural steel, timber rail, bolts, and all other appurtenances and incidental work as shown, complete in place, will be considered completely covered by the contract unit price for Rub Rail per foot.

RUB-RAIL STEEL SUPPORT STRUCTURE DETAIL

		<b>RUB-RAIL DETAILS</b>	
JunEAU Associates, Inc. P.C. CONSULTING ENGINEERS AND LAND SURVEYORS 3100 State Street, P.O. Box 1225 Granite City, Illinois 62040 Phone: (618) 317-1400 Fax: (618) 317-2000 Email: jae@junEAU.com		GLEN CARBON HERITAGE BIKE TRAIL OVER INERSTATE 55 MADISON COUNTY STATION 389+60 STRUCTURE 12	
<b>REVISIONS</b>		<b>SCALE:</b> NOT TO SCALE, FOLLOW DIMENSIONS	
NO.	DATE	BY	REMARKS
DGN. BY: DB		DATE: 10/18/12	
OWN. BY: EER		DATE: 10/18/12	
CHK. D: WWH		DATE: 10/18/12	
DGN. NAME:		JOB NO. E064403 DGN. NO.	
		SHEET <b>242</b>	
		DF 310 SHS	