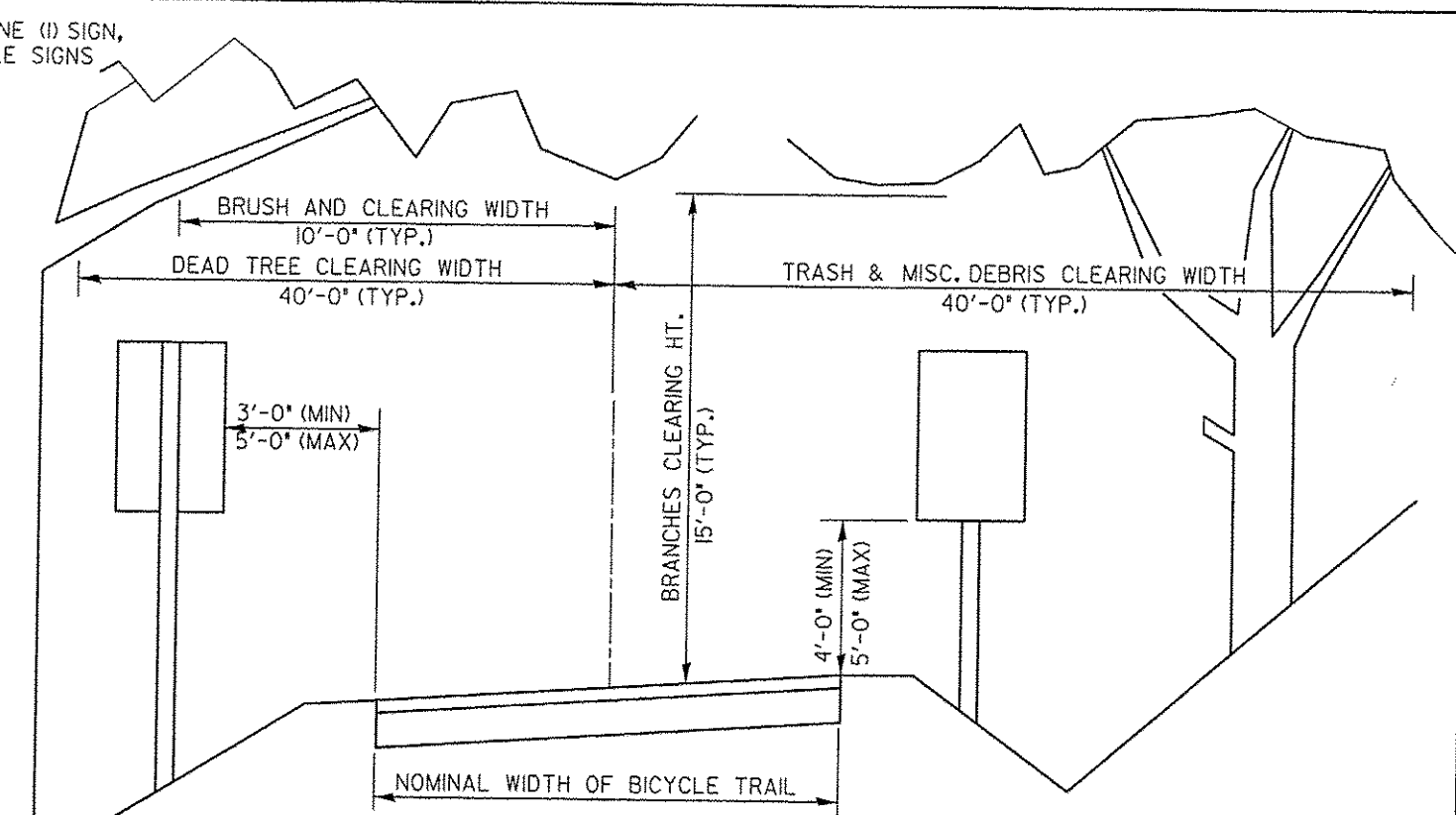
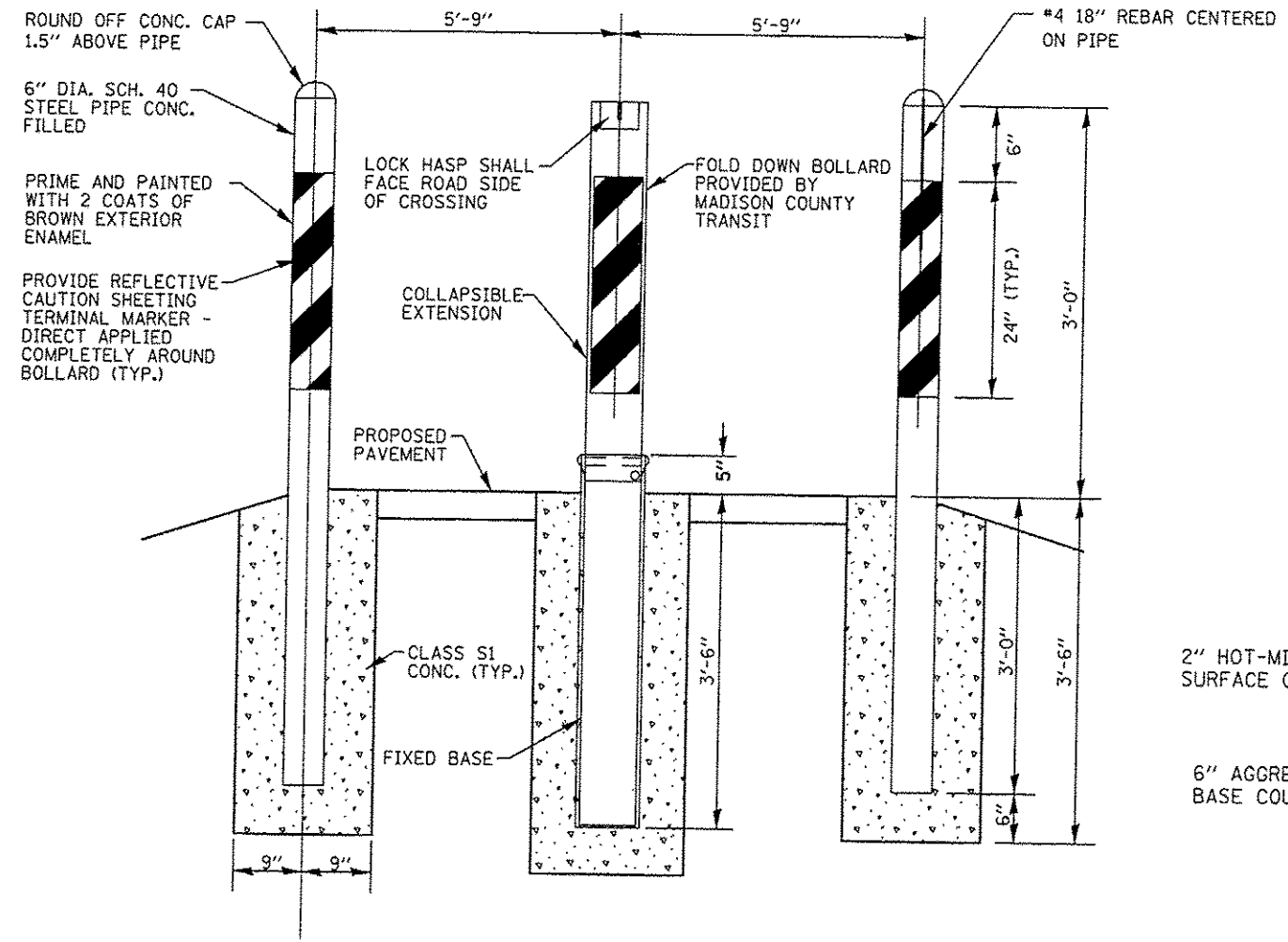


BOLLARD GATE PLAN VIEW

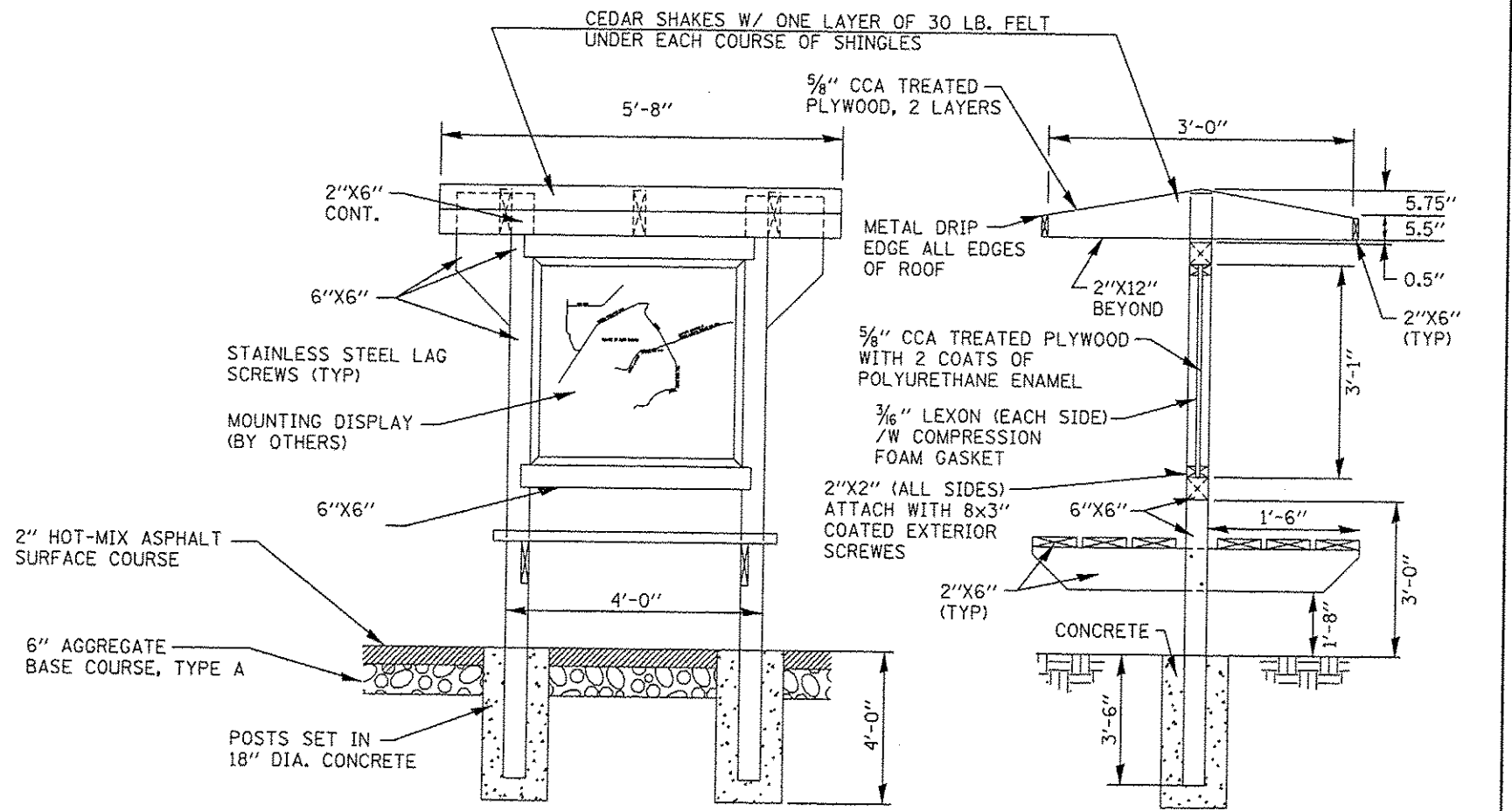
NOTE: USE 5'-0" CLEARANCE WITH ONE (1) SIGN,
USE 4'-0" CLEARANCE WHEN MULTIPLE SIGNS
PLACED ON SAME WOOD POST.



SIGN AND CLEARANCE DETAIL



BOLLARD GATE DETAIL



INFORMATION KIOSK

FILE NAME *	USER NAME * jeromy	DESIGNED - SAS	REVISED -
#FILE#		DRAWN - JQH	REVISED -
	PLOT SCALE = #SCALE#	CHECKED - WJB	REVISED -
	PLOT DATE = 12/18/2012	DATE - 11/30/12	REVISED -

**MADISON COUNTY TRANSIT DISTRICT
HERITAGE BIKEWAY**

MISCELLANEOUS DETAILS

SCALE: N.T.S. SHEET NO. 1 OF 3 SHEETS

F.A. RTE.	SECTION	COUNTY	TOTAL SHEETS	SHEET NO.
	06-00016-00-BT	MADISON	310	255
CONTRACT NO. 97433				