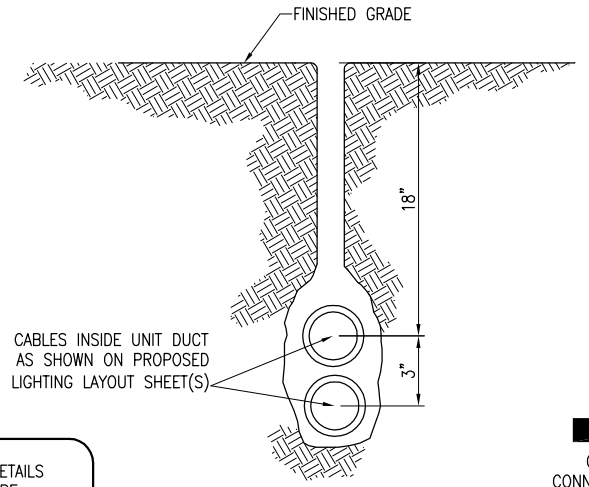
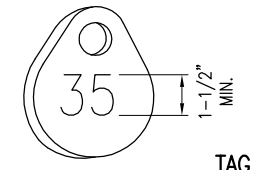


NOTES:
 DETAIL NUMBERS INDICATE NO. OF CABLES.
 TRENCHES WITH MORE THAN SEVEN CABLES SHALL BE INCREASED 3" IN WIDTH FOR EACH ADDITIONAL CABLE; IF SPECIFIED ON PLANS TWO PARALLEL TRENCHES MAY BE CONSTRUCTED.
 DEPTH OF TRENCHES SHALL BE AS SHOWN ABOVE UNLESS OTHERWISE SPECIFIED ON THE PLANS.
 ALL DISTURBED SURFACES SHALL BE RESTORED TO THEIR ORIGINAL CONDITION. COST IS INCIDENTAL TO TRENCH.

CABLE TRENCHES
 (NOT TO SCALE)

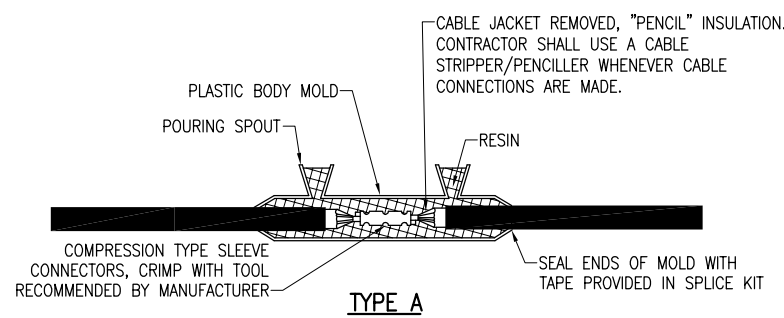


PLOWED CABLE
 (NOT TO SCALE)



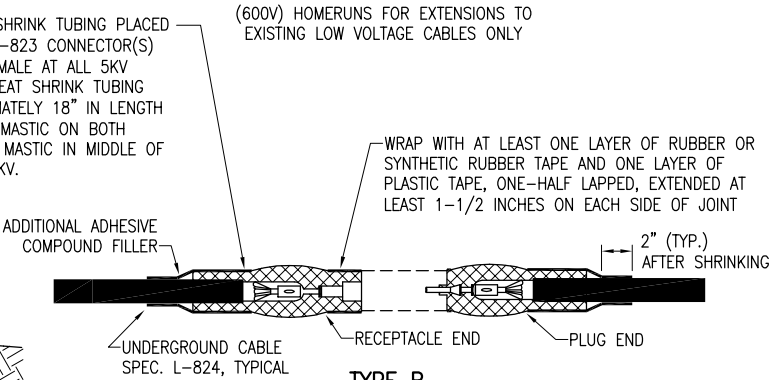
TAG DETAIL
 (NOT TO SCALE)

NOTE:
 AFFIX NON-CORROSIVE TAG TO FIXTURE FACING RUNWAY WITH SET SCREW, WIRE TIE, OR METAL BAND. NUMERALS SHALL BE ENGRAVED FOR PERMANENT READABILITY.



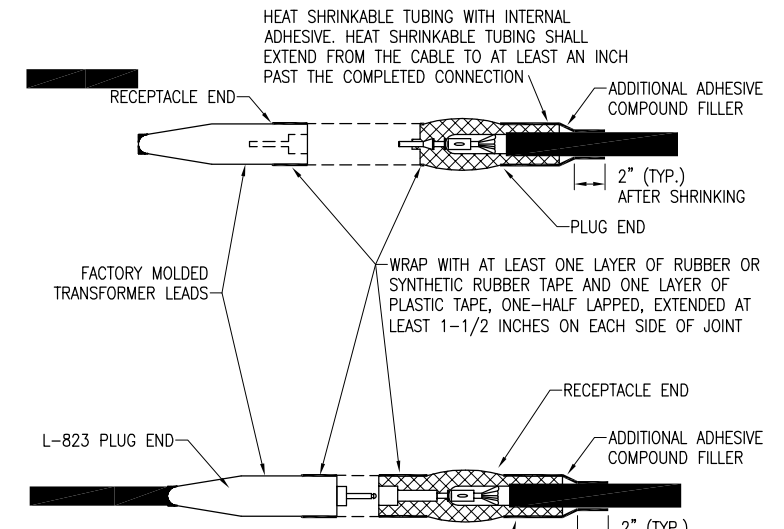
TYPE A

FOR SPLICES IN LOW VOLTAGE CABLE (600V) HOMERUNS FOR EXTENSIONS TO EXISTING LOW VOLTAGE CABLES ONLY



TYPE B

FOR SPLICES AT JUNCTION OF HOMERUN WITH LOOP CIRCUIT AND FOR SPLICES IN HOMERUNS TO EXISTING CABLES

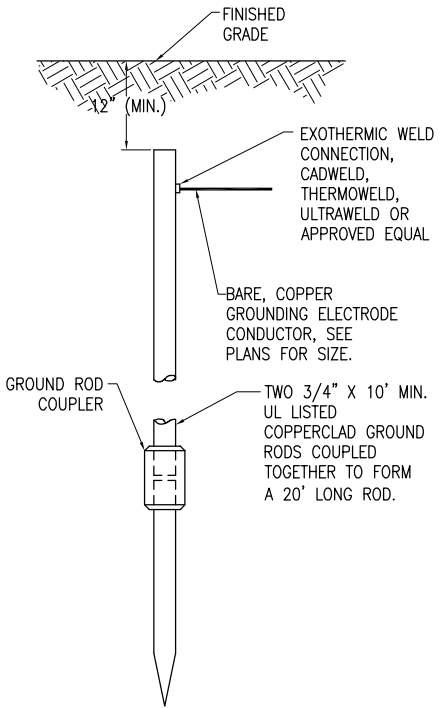


TYPE C

FOR SPLICES AT RUNWAY AND TAXIWAY LIGHTS

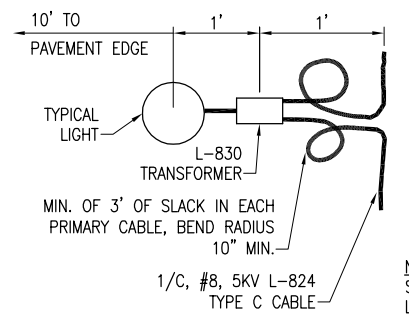
NOTES:
 SEE PROPOSED LIGHTING LAYOUT SHEET(S) FOR SPLICE TYPE.
 INSIDE DIAMETER OF CONNECTOR SHALL PROPERLY MATCH THE OUTSIDE DIAMETER OF CABLE.

CABLE SPLICES
 (NOT TO SCALE)

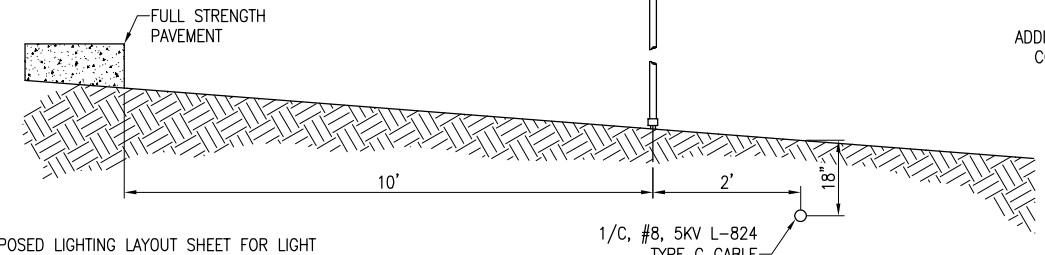


NOTES:
 TYPE AND MINIMUM NUMBER OF GROUND RODS SHALL BE AS SPECIFIED ON THE PLAN.
 THE RESISTANCE TO GROUND OF THE GROUNDING SYSTEM SHALL NOT EXCEED 25 OHMS.
 COST OF GROUND RODS IS INCIDENTAL TO THE ASSOCIATED ITEMS REQUIRING GROUNDING UNLESS OTHERWISE SPECIFIED.

GROUND ROD
 (NOT TO SCALE)



PLAN VIEW

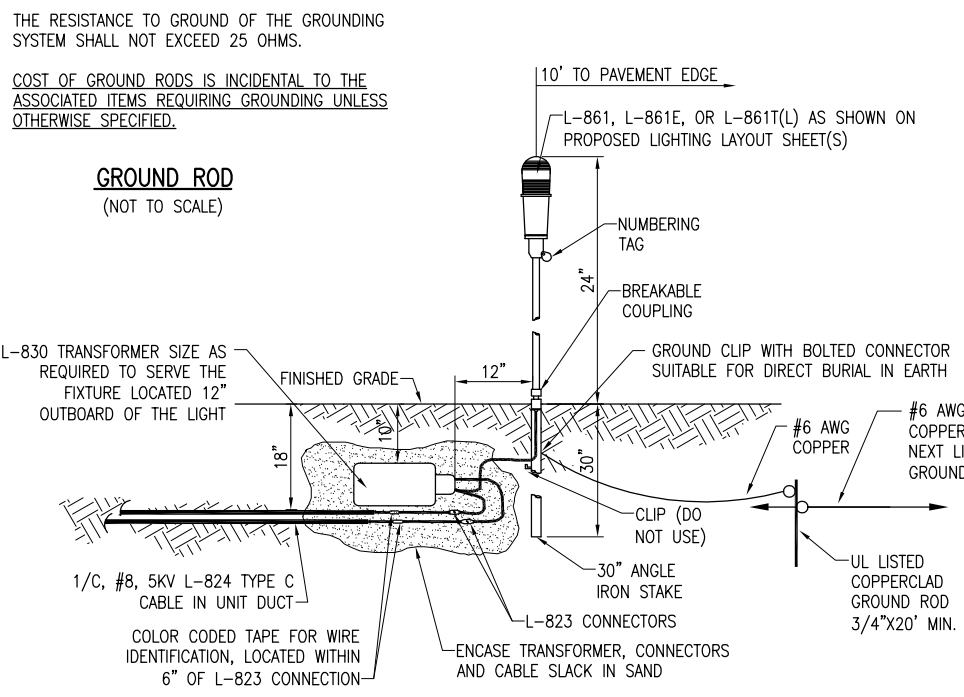


PROFILE VIEW

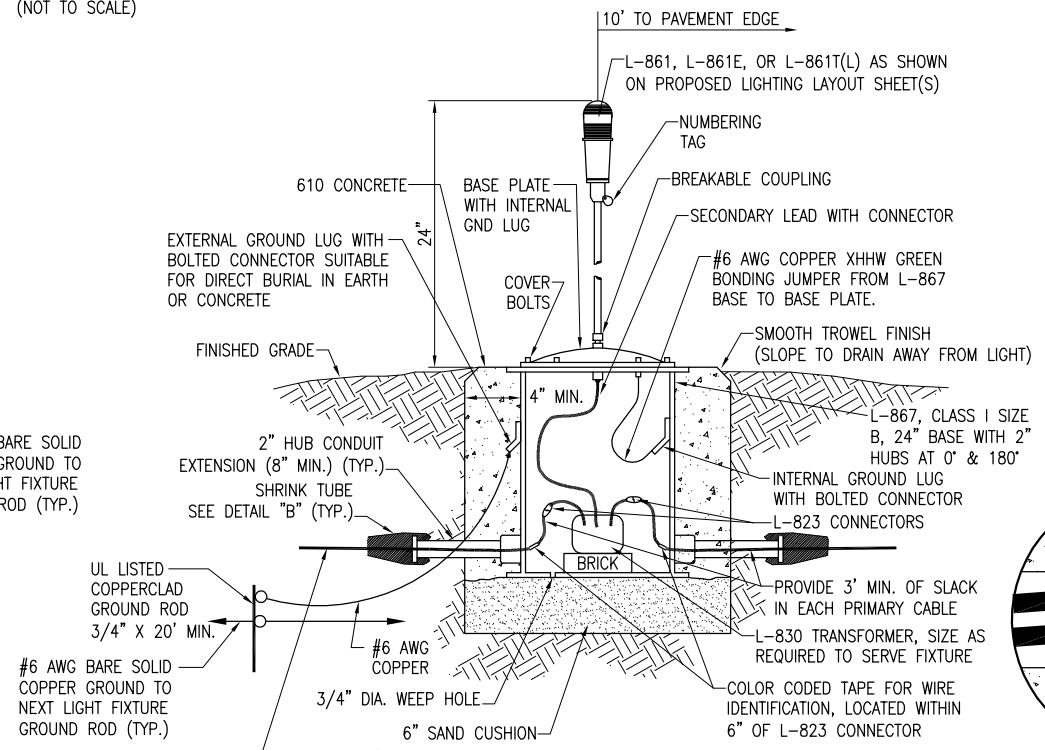
LIGHT AND CABLE INSTALLATION DETAIL
 (NOT TO SCALE)

PER FAA AC 150/5340-30G DESIGN AND INSTALLATION DETAILS FOR AIRPORT VISUAL AIDS, A LIGHT BASE GROUND MUST BE INSTALLED AT EACH LIGHT FIXTURE. A LIGHT BASE GROUND SHALL BE INSTALLED AT EACH STAKE MOUNTED LIGHT AND EACH TRANSFORMER BASE/LIGHT CAN ASSOCIATED WITH RUNWAY LIGHTS, TAXIWAY LIGHTS, AND LIGHTED TAXI GUIDANCE SIGNS. THE LIGHT BASE GROUND SHALL BE A #6 AWG BARE COPPER CONDUCTOR CONNECTED TO THE GROUND LUG ON THE RESPECTIVE L-867 TRANSFORMER BASE/LIGHT CAN OR MOUNTING STAKE AND A 3/4-INCH DIAMETER BY 20-FEET LONG (MINIMUM) UL LISTED COPPER CLAD GROUND ROD.

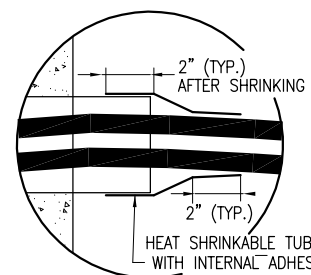
NOTES:
 SEE PROPOSED LIGHTING LAYOUT SHEET FOR LIGHT LOCATIONS.



MEDIUM INTENSITY LIGHT - STAKE MOUNTED
 (NOT TO SCALE)



MEDIUM/HIGH INTENSITY LIGHT - BASE MOUNTED OPTION 2
 (NOT TO SCALE)



DETAIL "B"
 (NOT TO SCALE)

JAN. 10, 2013 3:24 PM KINC00394
 I:\AIRPORTS\MARSHALL\10A0051\AIRPORT SHEETS\R-541ELE.DWG

REVISION	DATE	DESCRIPTION
12/11/12	12/11/12	UPDATED LT FIXTURE GROUNDING PER FAA AC 150/5340-30G & SOIL CONDITIONS

MARSHALL COUNTY AIRPORT
 LACON, ILLINOIS
 BLOCK GRANT PROJ.: 3-17-0059-B15
 IL PROJ.: C75-4223

Hanson Proj. No. 10A0051	Filename R-541ELE.DWG	Scale NONE	Date 12/14/12
LAYOUT	KNL	08/26/10	
DRAWN	MLH	09/01/10	
REVIEWED	KNL/CAH	12/11/12	

© Copyright Hanson Professional Services Inc. 2013
HANSON Professional Services Inc.
 1525 South Sixth Street
 Springfield, Illinois 62703-2986
 Ph: (217) 788-2450 Fax: (217) 788-2503
 www.hanson-inc.com
 Offices Nationwide

PAVE, LIGHT AND MARK
 805' EXTENSION
 ELECTRICAL DETAILS
 SHEET 1