

NOTES:
SEE LIGHTING LAYOUT SHEET(S) FOR SIGN LEGEND, LOCATION, TYPE, SIZE, STYLE, AND CLASS.
NUMBER AND SPACING OF LEGS AS PER MANUFACTURER'S REQUIREMENTS.

CONNECT #6 AWG CU GND TO FRAME OF SIGN IN ACCORDANCE WITH SIGN MANUFACTURER RECOMMENDATIONS

PROVIDE A MINIMUM OF FOUR FEET SLACK IN EACH PRIMARY CABLE AND SECONDARY EXTENSION

STAINLESS STEEL COVER BOLTS WITH ANTI-SLEEZE
SLOPE TO DRAIN AWAY FROM L-867 BASE
EXTERNAL GROUND LUG WITH BOLTED CONNECTOR SUITABLE FOR DIRECT BURIAL IN EARTH OR CONCRETE

CONNECT #6 AWG CU GND TO FRAME OF SIGN IN ACCORDANCE WITH SIGN MANUFACTURER RECOMMENDATIONS

3/4" SCHED 40 PVC CONDUIT. COORDINATE WITH SIGN FOUNDATION.
SPECIAL ORDER LENGTH SECONDARY EXTENSION WITH CLASS "A" CONNECTED (MALE OR FEMALE)

1/2" EXPANSION JOINT FILLER MATERIAL
METAL COVER
FINISHED GRADE
610 CONCRETE 4" MIN. THICK
L-830 TRANSFORMER, SIZE AS REQUIRED BY SIGN MANUFACTURER
#6 AWG CU
3/4" DIA. WEEP HOLE
2" GALV. RIGID STEEL CONDUIT (NO EXPOSED WIRE ABOVE OR BELOW GRADE)
L-867 BASE
6" MINIMUM SAND BACKFILL

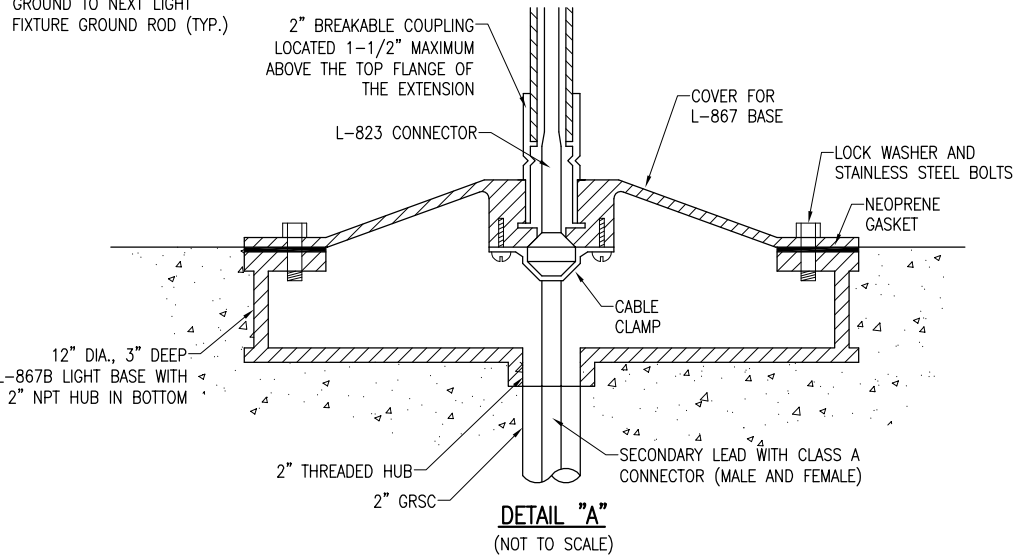
EXTERNAL GROUND LUG WITH BOLTED CONNECTOR SUITABLE FOR DIRECT BURIAL IN EARTH OR CONCRETE
1/4" #8, 5KV L-824 TYPE C CABLE IN 2" HDPE DUCT.
#8 AWG CU
GRSC TO HDPE COUPLING

1/4" /FT. BEVEL
3" TYP.
WIRE MESH, 6" X 6" NO. 6
CONCRETE PAD
3/4" SCHED 40 PVC CONDUIT. COORDINATE WITH SIGN FOUNDATION.

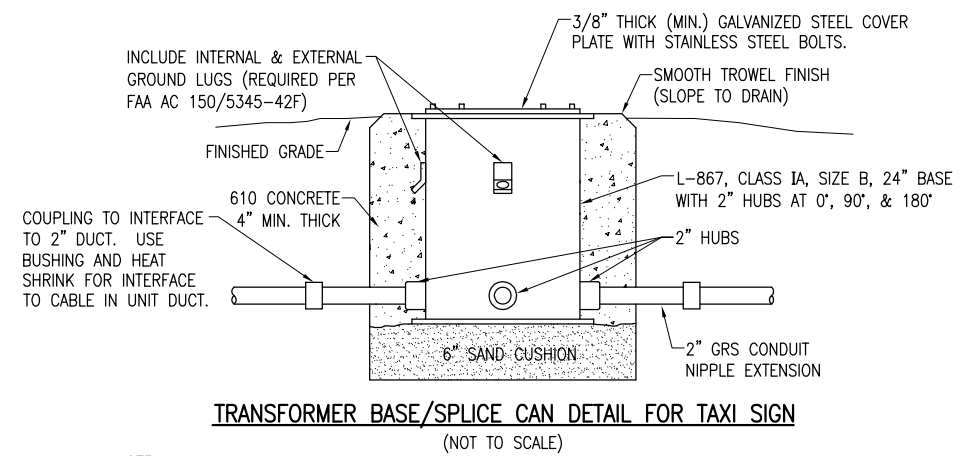
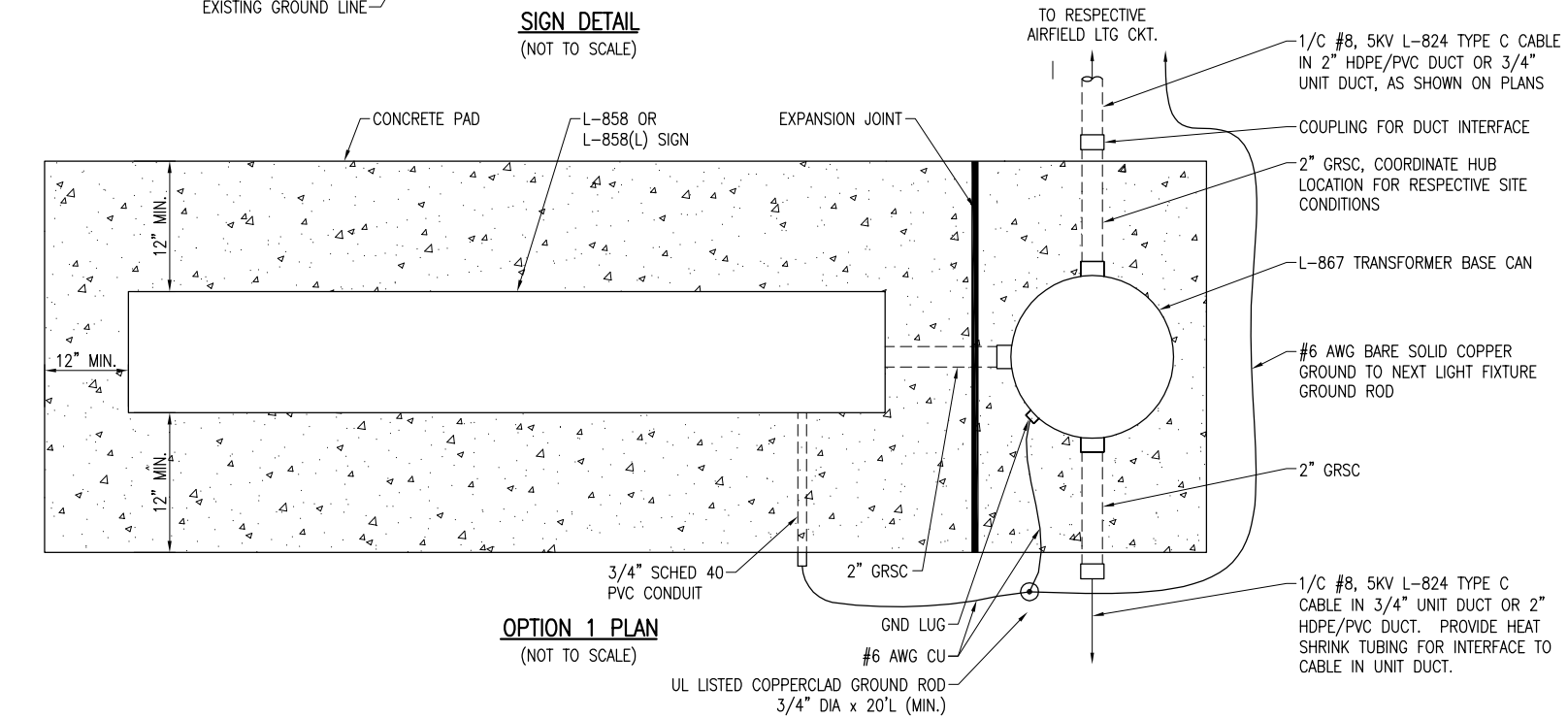
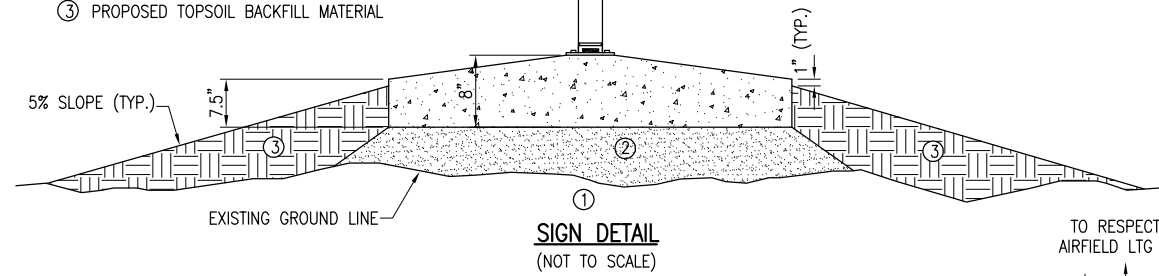
1/2" #8, 5 KV, L-824 TYPE C CABLE. COLOR CODED TAPE FOR WIRE IDENTIFICATION LOCATED WITHIN 6" OF L-823 CONNECTOR. SEE PLAN VIEW FOR CABLE ENTRANCE & EXIT.

UL LISTED COPPERCLAD GROUND ROD 3/4" DIA x 20'L (MIN.)
#6 AWG BARE SOLID COPPER GROUND TO NEXT LIGHT FIXTURE GROUND ROD (TYP.)
2" BREAKABLE COUPLING LOCATED 1-1/2" MAXIMUM ABOVE THE TOP FLANGE OF THE EXTENSION
L-823 CONNECTOR
COVER FOR L-867 BASE
LOCK WASHER AND STAINLESS STEEL BOLTS
NEOPRENE GASKET
CABLE CLAMP
12" DIA., 3" DEEP L-867B LIGHT BASE WITH 2" NPT HUB IN BOTTOM
2" THREADED HUB
2" GRSC
SECONDARY LEAD WITH CLASS A CONNECTOR (MALE AND FEMALE)

GENERAL NOTES
1. SEE LIGHTING LAYOUT SHEET FOR SIGN LEGEND, LOCATION, TYPE, SIZE, STYLE, AND CLASS.
2. SEE ELECTRICAL NOTES SHEETS.



- ① EXISTING SOD TO BE STRIPPED AND REMOVED
- ② SAND BACKFILL, VARIABLE DEPTH
- ③ PROPOSED TOPSOIL BACKFILL MATERIAL



NOTE:
FOR THE PURPOSE OF ENHANCING SAFETY, EACH BASE MUST HAVE INSTALLED, BY THE MANUFACTURER, AN INTERNAL AND EXTERNAL GROUND STRAP THAT IS AVAILABLE FOR THE PURPOSE OF ATTACHING A GROUND LUG THAT IS CONNECTED TO AN EARTH GROUND OR A SAFETY GROUND CONDUCTOR INSTALLED WITH THE RESPECTIVE CIRCUIT. FOR AIRPORT PROJECTS RECEIVING FEDERAL FUNDS THIS REQUIREMENT IS MANDATORY PER FAA AC 150/5345-42F.

REVISION	DATE	DESCRIPTION
12/11/12	12/11/12	UPDATED LT FIXTURE GROUNDING PER FAA AC 150/5340-30G & SOIL CONDITIONS

MARSHALL COUNTY AIRPORT
LACON, ILLINOIS
BLOCK GRANT PROJ.: 3-17-0059-B15
IL PROJ.: C75-4223

Hanson Proj. No. 10A00051	FILENAME R-545ELE.DWG	SCALE NOT TO SCALE	DATE 12/11/12
LAYOUT	KNL	12/11/12	
DRAWN	CAH	12/11/12	
REVIEWED	CAH/KNL	12/11/12	

HANSON
Professional Services Inc. 2013
1525 South Sixth Street
Springfield, Illinois 62703-2986
Ph: (217) 788-2450 Fax: (217) 788-2503
www.hanson-inc.com
Offices Nationwide

PAVE, LIGHT AND MARK
805' EXTENSION
ELECTRICAL DETAILS
SHEET 3

JAN 10, 2013 3:29 PM KINC400394
I:\AIRPORTS\MARSHALL\10A0051\AIRPORT SHEETS\R-545ELE.DWG