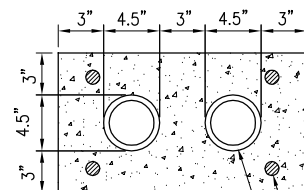
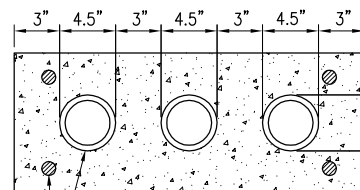


DUCT BANK TYPICAL SECTION
(NOT TO SCALE)



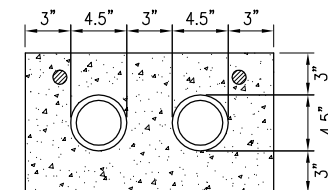
2-DUCT BANK
(NOT TO SCALE)

1/2" Ø REBAR
3' LONG IN
EACH CORNER



3-DUCT BANK
(NOT TO SCALE)

4" I.D. CONDUIT
1/2" Ø REBAR
3' LONG IN
EACH CORNER



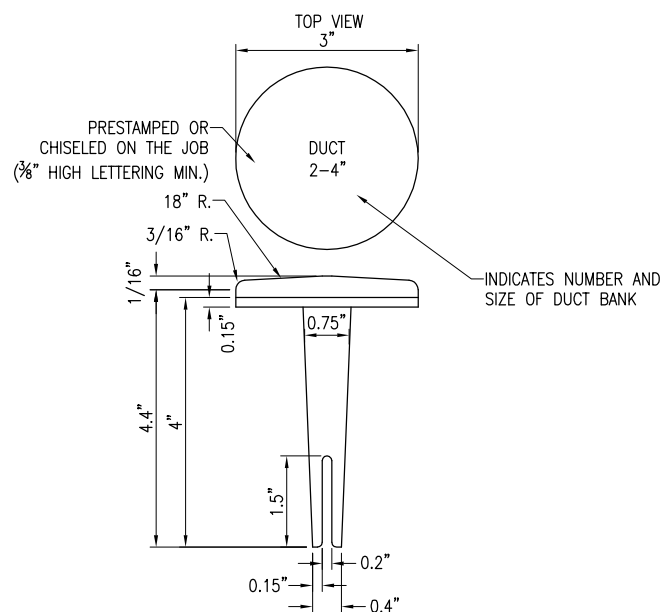
4-DUCT BANK
(NOT TO SCALE)

DUCT BANK NOTES:

- DIMENSIONS FOR CONCRETE COVERAGE AND SEPARATION BETWEEN DUCTS ARE MINIMUM.
- INCLUDE DUCT SPACERS AS MANUFACTURED BY UNDERGROUND DEVICES INC., TO MAINTAIN PROPER SEPARATION OF CONDUITS.
- REBAR IS REQUIRED TO ACCOMMODATE FUTURE DUCT EXTENSIONS & INTERFACE AT DUCT BANK TERMINATIONS. CONCRETE ENCASED DUCT BANKS TERMINATING IN HANDHOLES REQUIRE REBAR AT TERMINATIONS.
- CONDUITS FOR CONCRETE ENCASED DUCT SHALL BE SCHEDULE 40 PVC CONFORMING TO ITEM 110.
- MINIMUM DEPTH OF TOP OF DUCT ENCASEMENT SHALL BE 18" BELOW FINISHED GRADE.
- HIGH VOLTAGE AND LOW VOLTAGE CIRCUITS SHALL NOT BE INSTALLED IN THE SAME RACEWAY, CONDUIT, DUCT, HANDHOLE, OR MANHOLE.
- HOMERUN CABLES FOR A RESPECTIVE CIRCUIT SHALL BE INSTALLED IN THE SAME RACEWAY OR DUCT.
- DUCT INTERFACE TO HANDHOLES OR MANHOLES WILL BE CONSIDERED INCIDENTAL TO THE RESPECTIVE DUCT PAY ITEM.

CABLE & DUCT MARKER NOTES:

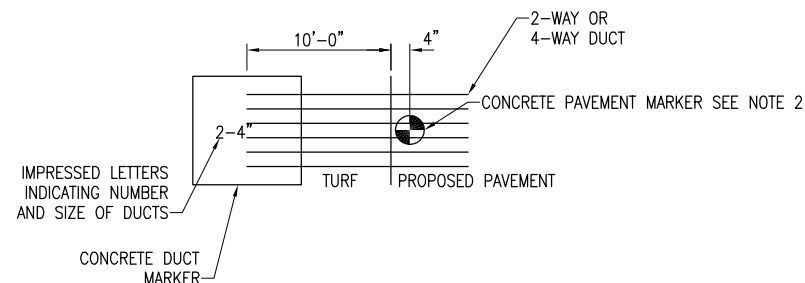
- THE COST OF ALL TURF AND PAVEMENT DUCT MARKERS SHALL BE INCIDENTAL TO THE DUCT. THE COST OF ALL CABLE MARKERS SHALL BE INCIDENTAL TO THE CABLE.
- BITUMINOUS PAVEMENT DUCT MARKER AND CONCRETE DUCT MARKER TO BE PROVIDED AT EACH END OF EACH DUCT AS SHOWN ON THE LOCATION PLAN. FOR CONCRETE PAVEMENT, THE LETTER "D" SHALL BE IMPRESSED IN THE PAVEMENT INSTEAD OF THE MARKER. THE LETTER SHALL BE FORMED AS DESCRIBED IN NOTE 4.
- CABLE MARKERS SHALL BE PLACED AT CHANGES OF DIRECTION AND APPROXIMATELY EVERY 200' ALONG CABLE RUNS.
- CONCRETE CABLE MARKERS AND DUCT MARKERS SHALL HAVE LETTERS 4" HIGH, 3" WIDE WITH WIDTH OF STROKE 1/2" AND 1/4" DEEP. ALL LETTERS, NUMBERS AND ARROWS TO BE IMPRESSED.



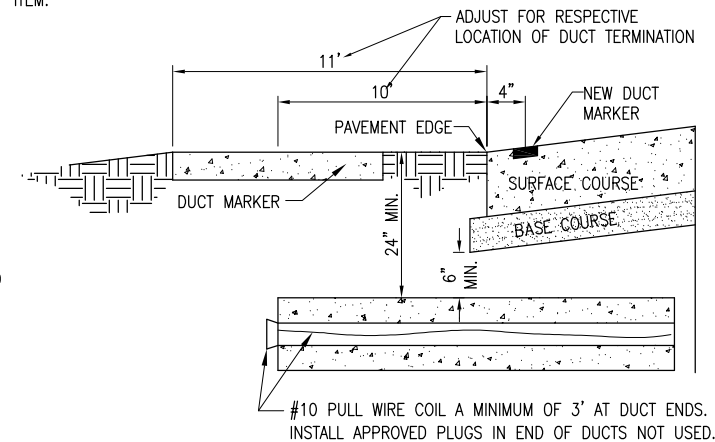
BITUMINOUS PAVEMENT DUCT MARKERS
"NOT TO SCALE"

NOTES:

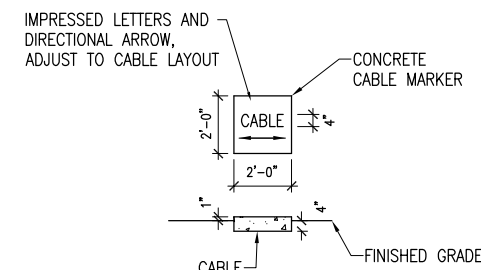
- TOP OF MARKER SHALL BE FLUSH WITH FINISHED PAVEMENT SURFACE. MARKER MAY BE INSTALLED IN A DRILLED HOLE AND SECURED WITH EPOXY GLUE.
- BRASS DUCT MARKERS ARE AVAILABLE FROM G&S FOUNDRY & MANUFACTURING CO. INC., 210 KASKASKIA DRIVE, RED BUD, IL. 62278 PHONE: (618)-282-4114.



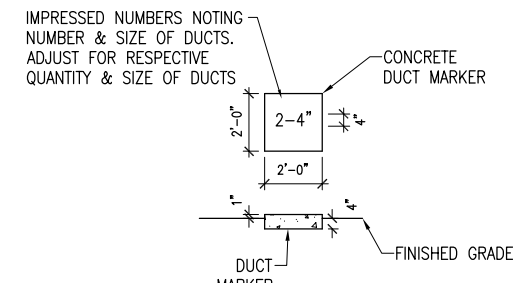
DUCT MARKER DETAIL
"NOT TO SCALE"



UNDERGROUND ELECTRICAL DUCT
(NOT TO SCALE)



TURF CABLE MARKERS
"NOT TO SCALE"



TURF DUCT MARKERS
"NOT TO SCALE"

REVISION

DATE

MARSHALL COUNTY AIRPORT
LACON, ILLINOIS

IL PROJ.: C75-4223 BLOCK GRANT PROJ.: 3-17-0059-B15

Hanson Proj. No. 10A0051	FILENAME R-542ELE.DWG	SCALE NONE	DATE 12/14/12
LAYOUT	KNL	08/26/10	
DRAWN	MLH	09/01/10	
REVIEWED	KNL/CAH	03/30/11	

HANSON
Professional Services Inc. 2013
Hanson Professional Services Inc.
1525 South Sixth Street
Springfield, Illinois 62703-2986
Ph: (217) 788-2450 Fax: (217) 788-2503
www.hanson-inc.com
Offices Nationwide

PAVE, LIGHT AND MARK
805' EXTENSION
ELECTRICAL DETAILS
SHEET 4