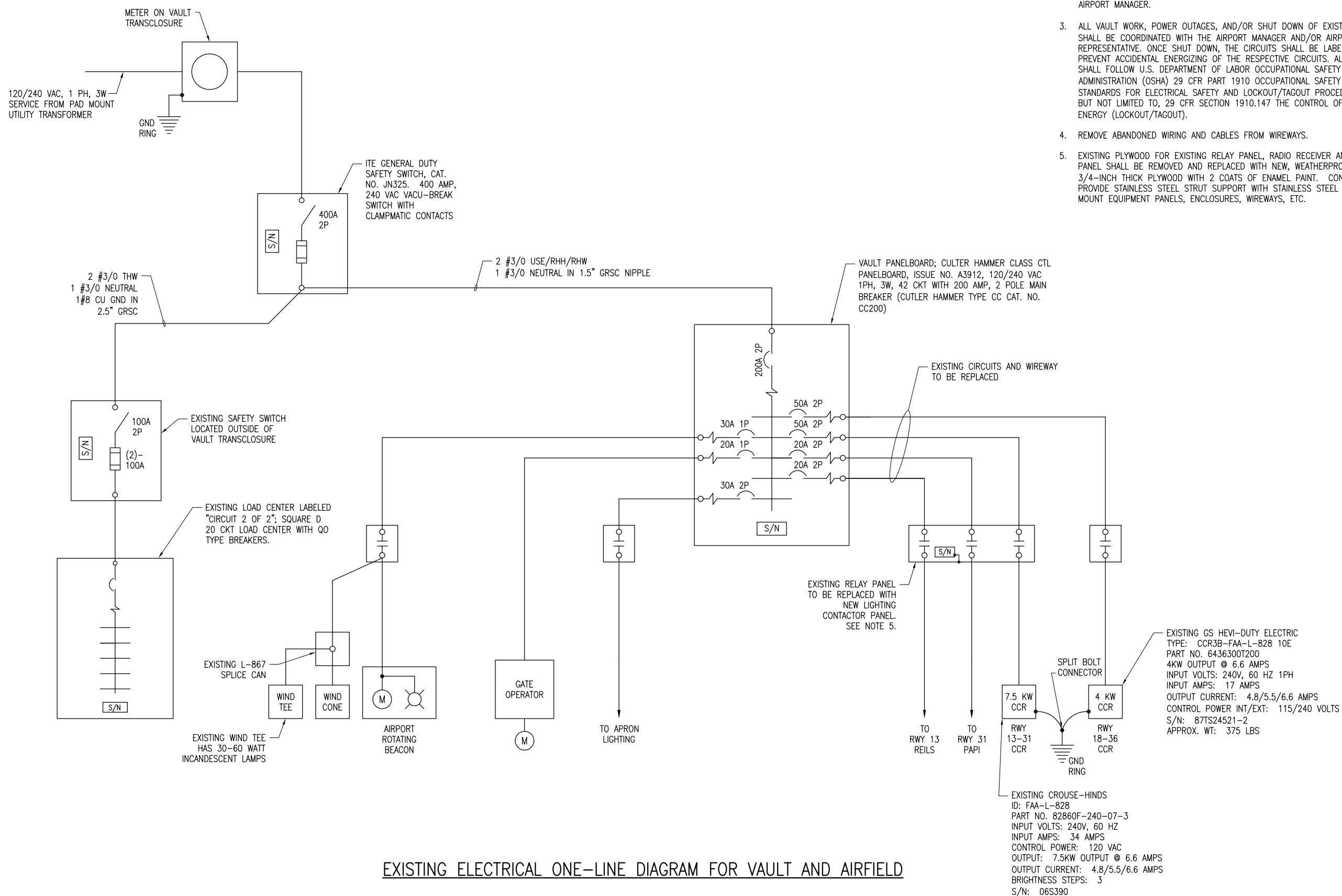


NOTES

1. CONTRACTOR SHALL FIELD VERIFY EXISTING CONDITIONS
2. ALL VAULT WORK AND/OR POWER OUTAGES SHALL BE COORDINATED WITH THE AIRPORT MANAGER.
3. ALL VAULT WORK, POWER OUTAGES, AND/OR SHUT DOWN OF EXISTING SYSTEMS SHALL BE COORDINATED WITH THE AIRPORT MANAGER AND/OR AIRPORT REPRESENTATIVE. ONCE SHUT DOWN, THE CIRCUITS SHALL BE LABELED AS SUCH TO PREVENT ACCIDENTAL ENERGIZING OF THE RESPECTIVE CIRCUITS. ALL PERSONNEL SHALL FOLLOW U.S. DEPARTMENT OF LABOR OCCUPATIONAL SAFETY & HEALTH ADMINISTRATION (OSHA) 29 CFR PART 1910 OCCUPATIONAL SAFETY & HEALTH STANDARDS FOR ELECTRICAL SAFETY AND LOCKOUT/TAGOUT PROCEDURES INCLUDING, BUT NOT LIMITED TO, 29 CFR SECTION 1910.147 THE CONTROL OF HAZARDOUS ENERGY (LOCKOUT/TAGOUT).
4. REMOVE ABANDONED WIRING AND CABLES FROM WIREWAYS.
5. EXISTING PLYWOOD FOR EXISTING RELAY PANEL, RADIO RECEIVER AND INTERFACE PANEL SHALL BE REMOVED AND REPLACED WITH NEW, WEATHERPROOF TREATED 3/4-INCH THICK PLYWOOD WITH 2 COATS OF ENAMEL PAINT. CONTRACTOR SHALL PROVIDE STAINLESS STEEL STRUT SUPPORT WITH STAINLESS STEEL HARDWARE TO MOUNT EQUIPMENT PANELS, ENCLOSURES, WIREWAYS, ETC.



EXISTING ELECTRICAL ONE-LINE DIAGRAM FOR VAULT AND AIRFIELD

REVISION	DATE	DESCRIPTION
12/11/12	12/11/12	UPDATES TO WIND CONE & WIND TEE CKTS

MARSHALL COUNTY AIRPORT
LACON, ILLINOIS

IL PROJ.: C75-4223 BLOCK GRANT PROJ.: 3-17-0059-B15

Hanson Proj. No. 10A0051	Drawn	08/26/10
Filename E-601.DWG	Checked	09/01/10
Scale NONE	Drawn	12/11/12
Date 12/14/12	Reviewed	

HANSON
Professional Services Inc. 2013
Hanson Professional Services Inc.
1525 South Sixth Street
Springfield, Illinois 62703-2886
Ph: (217) 788-2450 Fax: (217) 788-2503
www.hanson-inc.com
Offices Nationwide

PAVE, LIGHT AND MARK
805' EXTENSION

EXISTING ELECTRICAL ONE-LINE
FOR VAULT AND AIRFIELD

JAN 10, 2013 3:43 PM KINC400394
E:\AIRPORTS\MARSHALL\10A0051\AIRPORT\ SHEETS\ E-601.DWG