

F.A.P. RTE.	SECTION	COUNTY	TOTAL SHEETS	SHEET NO.
VAR	2023-SWP-002(W)	WILL	7	1
		ILLINOIS	CONTRACT NO. 62W35	

DEPARTMENT OF TRANSPORTATION

PROPOSED HIGHWAY PLANS

VARIOUS ARTERIAL ROUTES DISTRICT 1 SECTION 2023-SWP-002(W) ARTERIAL HIGHWAY CLEANING (SWEEPING) WILL COUNTY

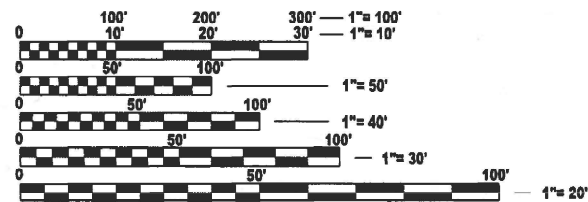
C-91-133-24

FOR INDEX OF SHEETS, SEE SHEET NO. 2

D-91-115-24



SEE LOCATION MAPS SHEETS 4 THRU 8



FULL SIZE PLANS HAVE BEEN PREPARED USING STANDARD ENGINEERING SCALES. REDUCED SIZED PLANS WILL NOT CONFORM TO STANDARD SCALES. IN MAKING MEASUREMENTS ON REDUCED PLANS, THE ABOVE SCALES MAY BE USED.

J.U.L.I.E. JOINT UTILITY LOCATION INFORMATION FOR EXCAVATION 1-800-892-0123 OR 811

PROJECT ENGINEER: RODRIGO LEDEZMA 847-705-4580 PROJECT MANAGER: J. ALAIN MIDY 847-221-3056

CONTRACT NO. 62W35

STATE OF ILLINOIS  
DEPARTMENT OF TRANSPORTATION

SUBMITTED September 27, 2023

[Signature]  
REGIONAL ENGINEER

October 13, 2023

[Signature]  
ENGINEER OF DESIGN AND ENVIRONMENT

October 13, 2023

[Signature]  
DIRECTOR OF HIGHWAYS PROJECT IMPLEMENTATION

PRINTED BY THE AUTHORITY OF THE STATE OF ILLINOIS

# INDEX OF SHEETS

SHEET NO.	DESCRIPTION
1	COVERSHEET
2	INDEX OF SHEETS, STATE STANDARDS
3	SUMMARY OF QUANTITIES, SCHEDULE OF CLEANING STARTING DATES
4	ARTERIAL TYPICAL SECTIONS
5	ARTERIAL CLEANING: WILL COUNTY JOLIET TEAM SECTION
6	ARTERIAL CLEANING: WILL COUNTY NEW LENOX TEAM SECTION
7	TRAFFIC CONTROL AND PROTECTION FOR SIDE ROADS, INTERSECTIONS AND DRIVEWAYS (TC-10)

# LIST OF STATE STANDARDS

STANDARD NO.	DESCRIPTION
701001 - 02	OFF-RD OPERATIONS, 2L, 2W, 15' MIN. AWAY FOR SPEEDS > 45 MPH
701006 - 05	OFF-RD OPERATION, 2L, 2W, 15' TO 24" FROM PAVEMENT EDGE
701011 - 04	OFF-RD MOVING OPERATION, 2L, 2W, DAY ONLY
701301 - 04	LANE CLOSURE, 2L, 2W, SHORT TIME OPERATIONS
701311 - 03	LANE CLOSURE, 2L, 2W, MOVING OPERATIONS - DAY ONLY
701411 - 09	LANE CLOSURE, MULTILANE AT ENTRANCE/EXIT RAMP FOR SPEEDS > 45 MPH
701426 - 09	LANE CLOSURE, MULTILANE INTERMITTENT OR MOVING OPERATION FOR SPEEDS > 45 MPH
701427 - 05	LANE CLOSURE, MULTILANE, INTERMITTENT OR MOVING OPERATIONS ≤ 40 MPH
701901 - 09	TRAFFIC CONTROL DEVICES

MODEL: IndexSheets [Sheet]  
 FILE NAME: c:\pwworking\rodrigoledezma\10220033\Will\_Var\_Routes-511-gennote.dgn

USER NAME = rodrigo.ledezma	DESIGNED -	REVISED -	<b>STATE OF ILLINOIS DEPARTMENT OF TRANSPORTATION</b>	<b>INDEX OF SHEETS, STATE STANDARDS AND GENERAL NOTES</b>	F.A. RTE.	SECTION	COUNTY	TOTAL SHEETS	SHEET NO.	
	DRAWN -	REVISED -			VAR	2023-SWP-002(W)	WILL	7	2	
PLOT SCALE = 0.16666633 / in.	CHECKED -	REVISED -			CONTRACT NO. 62W35					
PLOT DATE = 9/27/2023	DATE -	REVISED -			ILLINOIS   FED. AID PROJECT					
				SCALE: Full Size 1 = 1	SHEET	OF 1	SHEETS	STA.	TO STA.	

SUMMARY OF QUANTITIES

CODE NO.	ITEM	UNIT	URBAN	100 % STATE 0044
			TOTAL QUANTITIES	ARTERIAL
Z0010617	SUPPLEMENTAL SWEEPING	MILE	75	75
X0330600	FULL ARTERIAL CLEANING CYCLE	EACH	4	4

- SCHEDULE MAY VARY AS DIRECTED BY THE ENGINEER.
- THE CONTRACTOR MAY NOT START CLEANING CYCLES BEFORE AN AUTHORIZED WORK ORDER HAS BEEN SUBMITTED TO THE CONTRACTOR BY THE ENGINEER.
- NO WORK WILL BE ALLOWED DURING ANY LEGAL HOLIDAY PERIOD.
- NO DAILY CONTRACTOR WORK REQUESTS/ SCHEDULING SHALL BE AUTHORIZED OR APPROVED TO START WHEN IT IS DETERMINED BY THE ENGINEER THAT WEATHER CONDITIONS WILL BE UNFAVORABLE. APPROVAL OF ALL DAILY CONTRACTOR WORK SCHEDULE REQUEST SHALL BE SOLELY DETERMINED BY THE ENGINEER AND OR PROJECT SUPERVISOR.
- ALL LANE AND SHOULDER CLOSURES SHALL BE IMMEDIATELY REMOVED DURING ALL ADVERSE WEATHER CONDITIONS **WITHOUT EXCEPTION**, INCLUDING BUT NOT LIMITED TO RAIN, WET ROAD SURFACE (SPRAY FROM TIRES), MIST, DRIZZLE, SLEET, SNOW, FOG, AND ANY OTHER CIRCUMSTANCE DETERMINED UNSAFE BY THE ENGINEER. **THE CONTRACTOR SHALL IMPLEMENT THIS CONTRACT REQUIREMENT IMMEDIATELY WITHOUT WAITING FOR DEPARTMENT INSTRUCTIONS.**
- SWEEPING WILL **NOT** BE ALLOWED WHEN TEMPERATURES OR WIND CHILL FACTORS ARE FORECASTED BY THE DEPARTMENT'S CERTIFIED CONSULTING METEOROLOGISTS TO BE AT OR DROP BELOW FREEZING. **TEMPERATURE MUST BE ABOVE THIRTY-TWO (32) DEGREES FAHRENHEIT**. ALL SHOULDER AND CURB LINES MUST BE FREE OF ANY EXISTING SNOW AND OR ICE. DRY SWEEPING SHALL BE ALLOWED ONLY IF IT IS CONSIDERED AN EMERGENCY, IMMEDIATE HAZARD, OR ANY WORK AS DESIGNATED BY THE DEPARTMENT THAT REQUIRES FIRST PRIORITY CORRECTIVE ACTION.
- NO** WORK WILL BE ALLOWED DAY OR NIGHT ON THE FOLLOWING DATES UNLESS IT IS CONSIDERED AN EMERGENCY, IMMEDIATE HAZARD, OR ANY WORK AS DESIGNATED BY THE DEPARTMENT THAT REQUIRES FIRST PRIORITY CORRECTIVE ACTION.

2024:

MARCH 29	APRIL 1	EASTER HOLIDAY
MAY 24	MAY 28	MEMORIAL DAY HOLIDAY
JULY 1	JULY 5	INDEPENDENCE DAY HOLIDAY
AUGUST 30	SEPTEMBER 3	LABOR DAY HOLIDAY
NOVEMBER 27	DECEMBER 2	THANKSGIVING HOLIDAY
DECEMBER 23	JANUARY 2, 2025	CHRISTMAS / NEW YEAR'S HOLIDAY

2025:

APRIL 18	APRIL 21	EASTER HOLIDAY
MAY 23	MAY 27	MEMORIAL DAY HOLIDAY
JULY 3	JULY 7	INDEPENDENCE DAY HOLIDAY
AUGUST 29	SEPTEMBER 2	LABOR DAY HOLIDAY
NOVEMBER 26	DECEMBER 1	THANKSGIVING HOLIDAY
DECEMBER 23	DECEMBER 31	CHRISTMAS / NEW YEAR'S HOLIDAY

MOD L: SOOcnles (Sheet)  
 FILE NAME: c:\pwworking\rodrigoledezma\m\09200331\Will\_Ver\_Routes-sh-gemnote.dgn

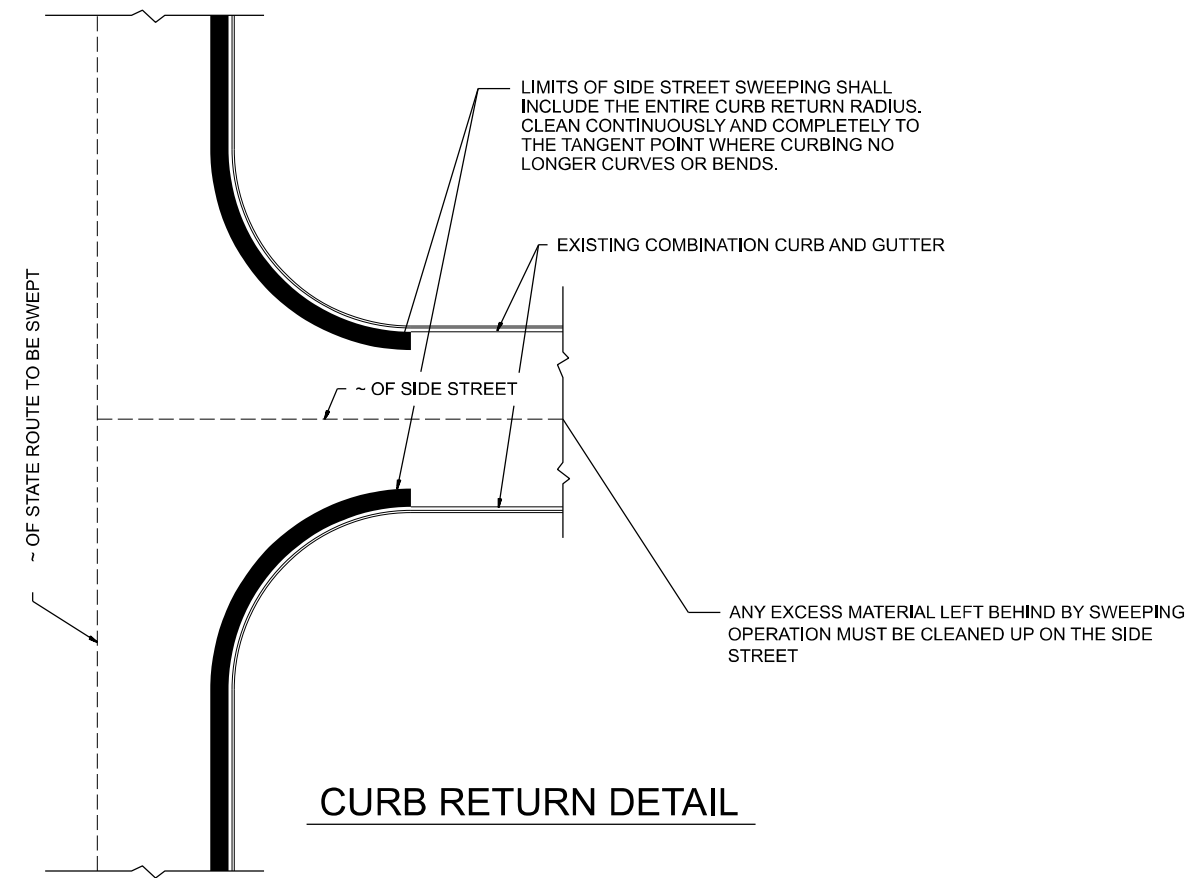
USER NAME = rodrigoledezma	DESIGNED -	REVISED -
	DRAWN -	REVISED -
PLOT SCALE = 0.16666633' / in.	CHECKED -	REVISED -
PLOT DATE = 9/27/2023	DATE -	REVISED -

**STATE OF ILLINOIS  
DEPARTMENT OF TRANSPORTATION**

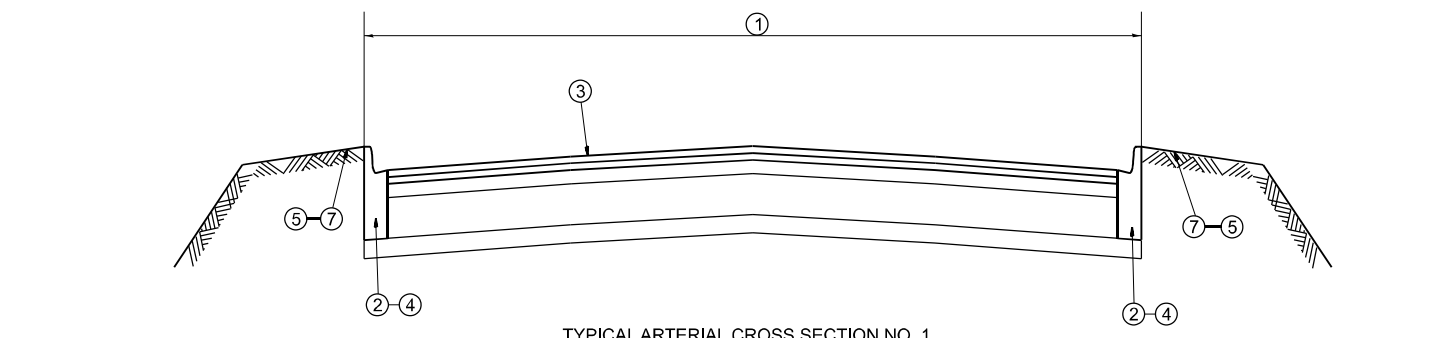
**SUMMARY OF QUANTITIES AND  
SCHEDULE OF STARTING DATES**

SCALE: Full Size 1 = 1 SHEET OF 1 SHEETS STA. TO STA.

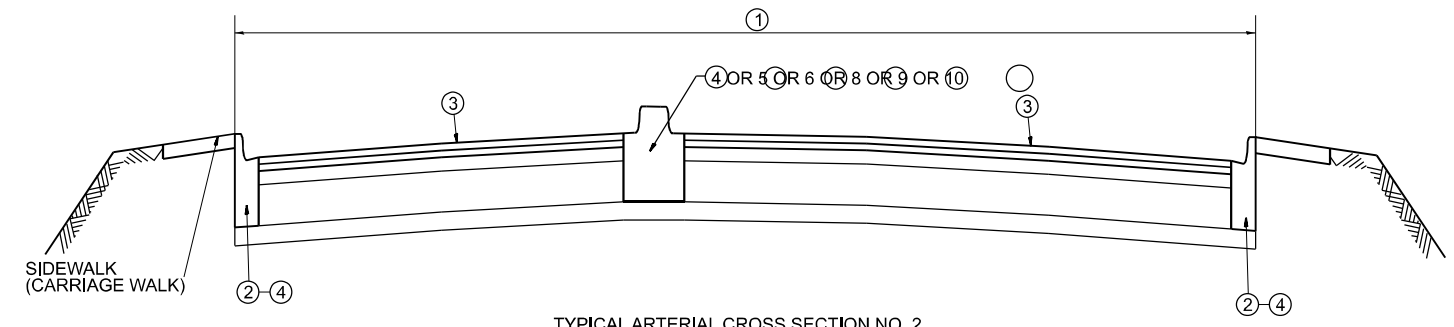
F.A. RTE.	SECTION	COUNTY	TOTAL SHEETS	SHEET NO.
VAR	2023-SWP-002(W)	WILL	7	3
			CONTRACT NO. 62W35	
			ILLINOIS FED. AID PROJECT	



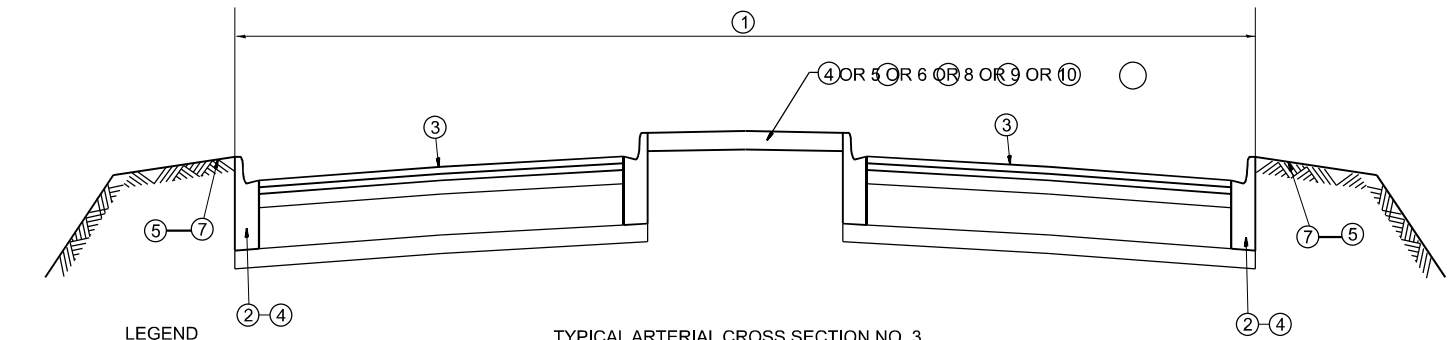
**CURB RETURN DETAIL**



TYPICAL ARTERIAL CROSS SECTION NO. 1



TYPICAL ARTERIAL CROSS SECTION NO. 2



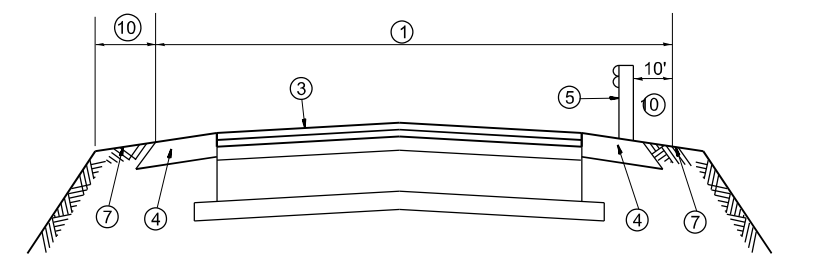
TYPICAL ARTERIAL CROSS SECTION NO. 3

**LEGEND**

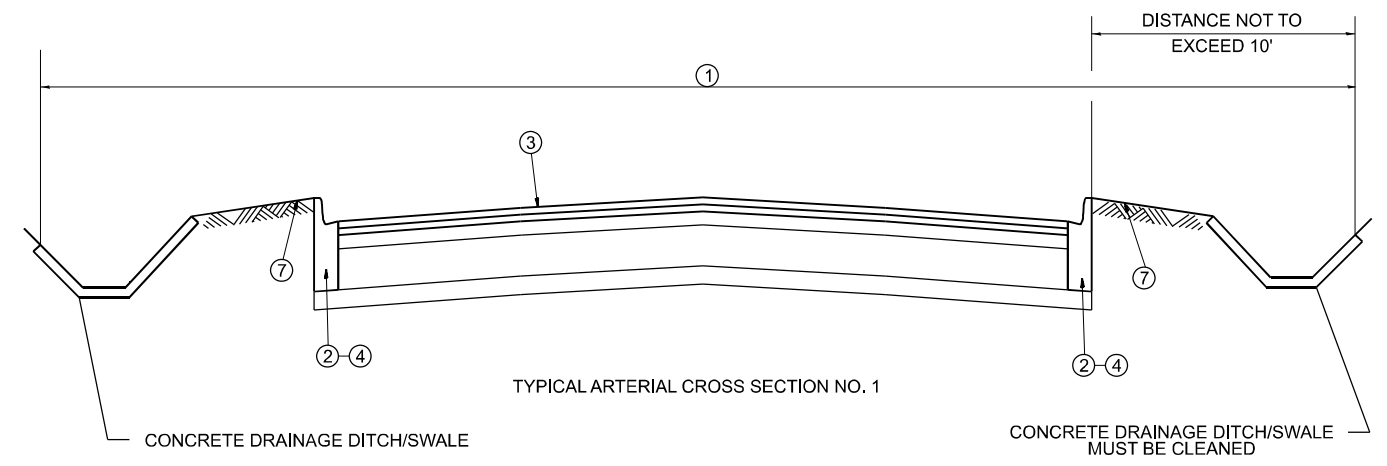
- ① AREA OF ROADWAY CLEANING AND RUBBISH REMOVAL
- ② CURB AND GUTTER
- ③ TRAVELED ROADWAY
- ④ STABILIZED SHOULDER OR MEDIAN
- ⑤ STEEL PLATE GUARDRAIL (SEE NOTE 1)
- ⑥ CONCRETE BARRIER
- ⑦ NON STABILIZED AREA
- ⑧ RAISED CONCRETE MEDIAN
- ⑨ ALL EXISTING TURF MEDIANS
- ⑩ LITTER PICKING

**NOTES:**

- 1) ALL LOCATIONS OF MEDIANS AND GUARDRAILS SHALL BE CLEANED OF ALL DEBRIS AND RUBBISH INCLUDING BUT NOT LIMITED TO DIRT, WEEDS, SAND, ROCKS, GRAVEL, CONCRETE, WOOD, LIMBS, LEAVES, GARBAGE & ANIMAL CARCASSES BY HAND LABORING UNDERNEATH AND 10 FEET BEHIND GUARDRAIL INCLUDING STABILIZED AND NON STABILIZED AREAS. THIS WORK SHALL BE CONSIDERED AS INCLUDED IN THE CONTRACT UNIT PRICE FOR ALL FULL CLEANING CYCLES.
- 2) SLOPE WALLS UNDER BRIDGES ARE NOT INCLUDED IN AREAS TO BE CLEANED.
- 3) ALL ARTERIAL INTERCHANGES, INTERSECTIONS, RAMPS AND CROSSOVERS SHALL BE CLEANED AND LITTER PICKED.
- 4) ALL PAVED DITCHES AND SPILLWAYS WITHIN 10' OF STABILIZED BASE SHALL BE CLEANED



TYPICAL ARTERIAL CROSS SECTION NO. 4



TYPICAL ARTERIAL CROSS SECTION NO. 1

MODEL: TYPICALS (Sheet)  
FILE NAME: c:\p\work\civil\ledezma\m\020331\Ill\_Ver\_Routes-shc-typical.dgn

USER NAME = rodrigo.ledezma	DESIGNED -	REVISED -
	DRAWN -	REVISED -
PLOT SCALE = 0.16666833' / in.	CHECKED -	REVISED -
PLOT DATE = 9/27/2023	DATE -	REVISED -

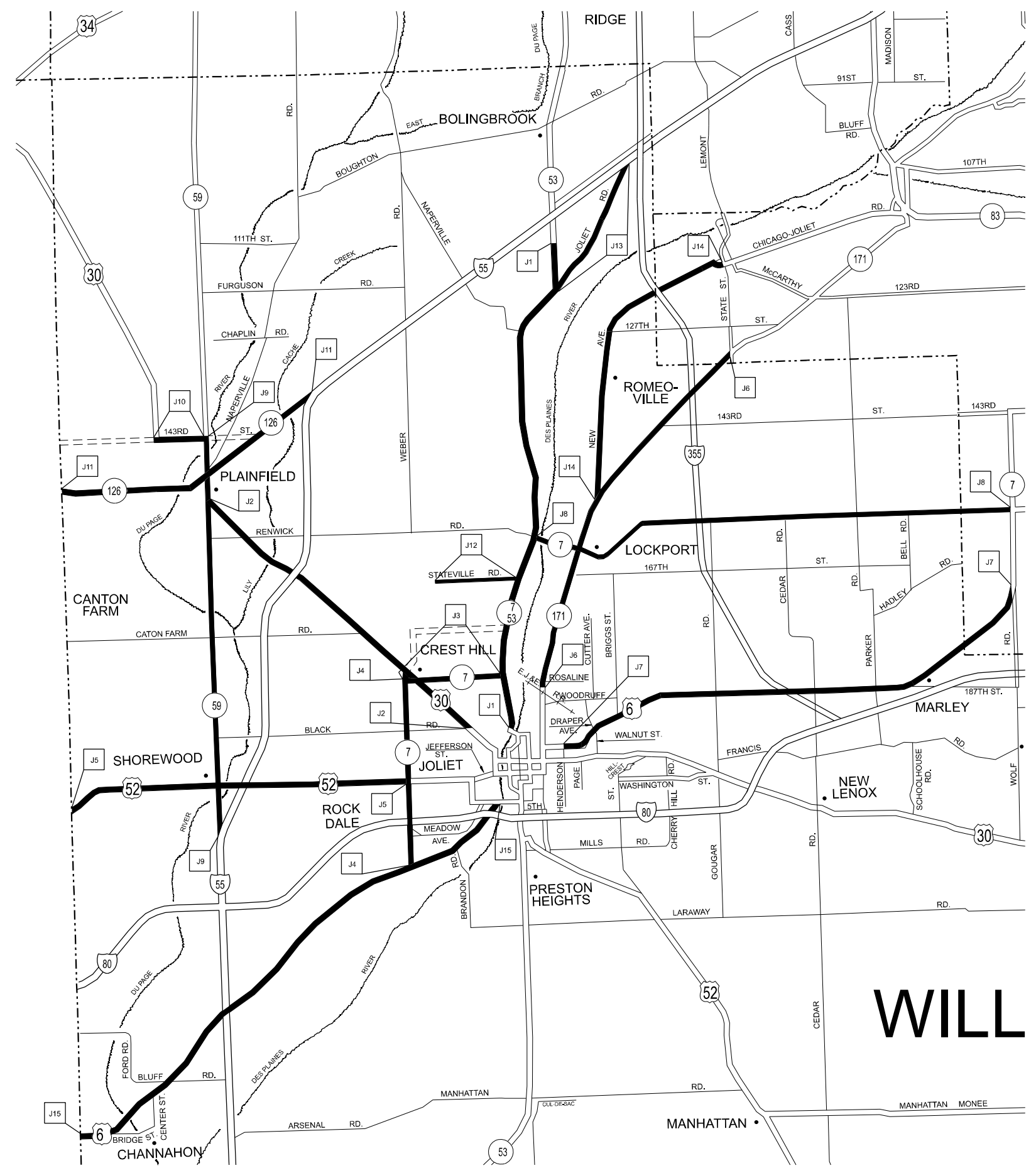
**STATE OF ILLINOIS  
DEPARTMENT OF TRANSPORTATION**

**TYPICAL ARTERIAL CROSS SECTION  
AND CURB RETURN DETAIL**

SCALE: 1"=50' SHEET OF 1 SHEETS STA. TO STA.

F.A. RTE.	SECTION	COUNTY	TOTAL SHEETS	SHEET NO.
VAR	2023-SWP-002(W)	WILL	7	4
CONTRACT NO. 62W35			ILLINOIS FED. AID PROJECT	

MODEL: Joliet Team Section (Sheet)  
 FILE NAME: c:\p\work\will\will\will\will\Var\_Routes-sh-details.dgn



TEAM SECTION: JOILET  
 KEY LOCATIONS: J1 - J15

- DISTRICT NO. 1
- STATE HIGHWAYS & EXPRESSWAYS WITHIN STATE JURISDICTION (EXCEPT TOLLWAYS)
  - STATE HIGHWAYS & EXPRESSWAYS TO BE CLEANED
  - FUTURE HIGHWAYS
  - VARIOUS AGENCIES HIGHWAYS

**WILL**

USER NAME = rodrigo.ledezma	DESIGNED -	REVISED -
DRAWN -	REVISED -	
PLOT SCALE = 0.16666833 / in.	CHECKED -	REVISED -
PLOT DATE = 9/27/2023	DATE -	REVISED -

**STATE OF ILLINOIS  
 DEPARTMENT OF TRANSPORTATION**

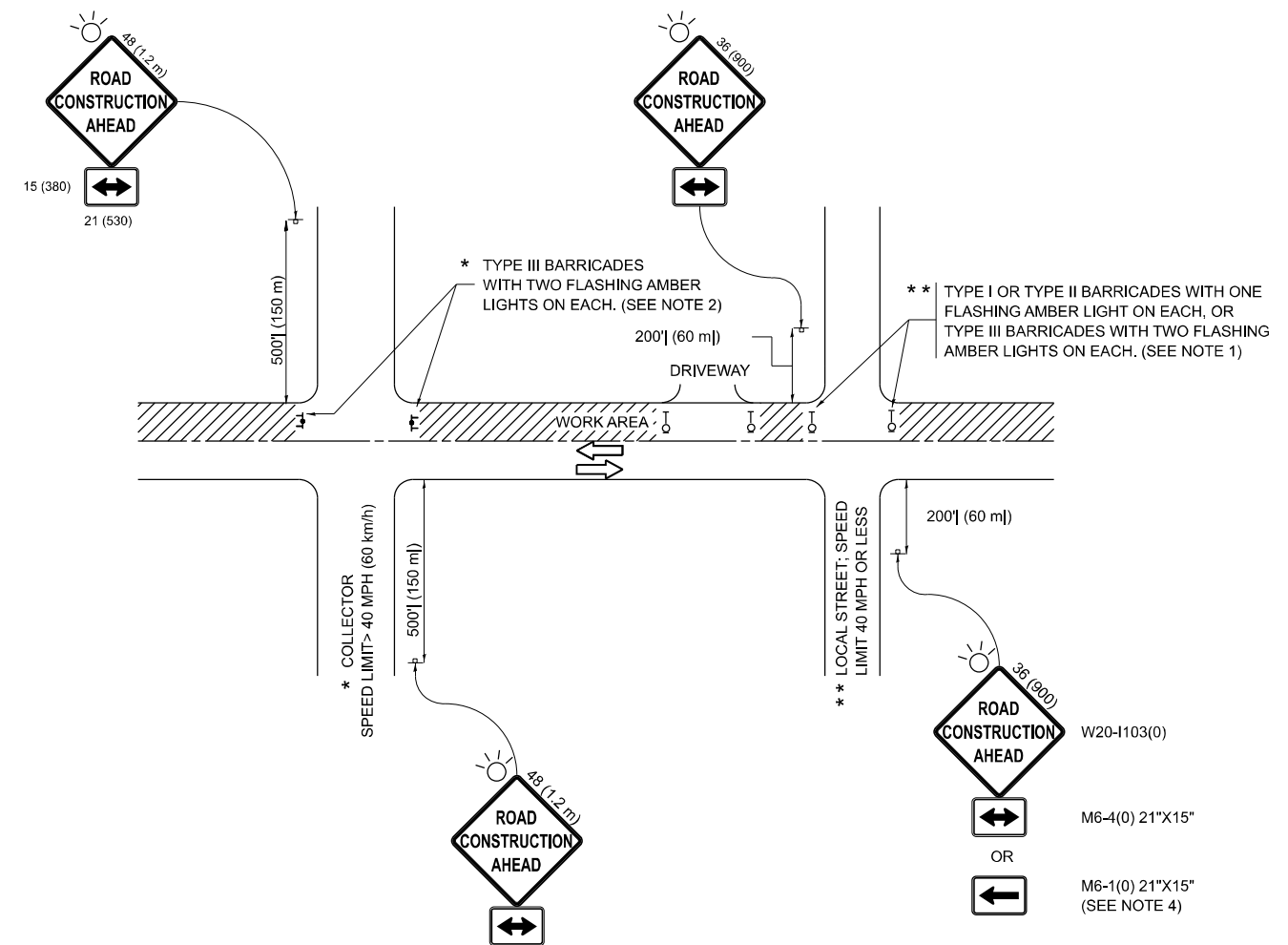
**ARTERIAL CLEANING LOCATION MAP  
 WILL COUNTY JOILET TEAM SECTION**

SCALE: 1"=50' SHEET OF 2 SHEETS STA. TO STA.

F.A. RTE.	SECTION	COUNTY	TOTAL SHEETS	SHEET NO.
VAR	2023-SWP-002(W)	WILL	7	5
			CONTRACT NO. 62W35	
		ILLINOIS FED. AID PROJECT		



MODEL: TC-10 (Sheet)  
 FILE NAME: c:\p\work\pwr\coll\ledezma\m\092023\11\11\_Ver\_Routes-shr-Dist-Sigs.dgn



**NOTES:**

1. SIDE ROAD WITH A SPEED LIMIT OF 40 MPH (60 km/h) OR LESS AS SHOWN ON THE DRAWING AND AS DIRECTED BY THE ENGINEER:
  - a) ONE "ROAD CONSTRUCTION AHEAD" SIGN 36 x 36 (900x900) WITH A FLASHER MOUNTED ON IT APPROXIMATELY 200' (60 m) IN ADVANCE OF THE MAIN ROUTE.
  - b) THE CLOSED PORTION OF THE MAIN ROUTE SHALL BE PROTECTED BY BLOCKING WITH TYPE I, TYPE II OR TYPE III BARRICADES, 1/3 OF THE CROSS SECTION OF THE CLOSED PORTION.
2. SIDE ROAD WITH A SPEED LIMIT GREATER THAN 40 MPH (60 km/h) AS SHOWN ON THE DRAWING AND AS DIRECTED BY THE ENGINEER:
  - a) ONE "ROAD CONSTRUCTION AHEAD" SIGN 48 x 48 (1.2 m x 1.2 m) WITH A FLASHER MOUNTED ON IT APPROXIMATELY 500' (150 m) IN ADVANCE OF THE MAIN ROUTE.
  - b) THE CLOSED PORTION OF THE MAIN ROUTE SHALL BE PROTECTED BY BLOCKING WITH TYPE III BARRICADES, 1/2 OF THE CROSS SECTION OF THE CLOSED PORTION.
3. CONES MAY BE SUBSTITUTED FOR BARRICADES OR DRUMS AT HALF THE SPACING DURING DAY OPERATIONS. CONES SHALL BE A MINIMUM OF 28 (710) IN HEIGHT.
4. WHEN THE SIDE ROAD LIES BETWEEN THE BEGINNING OF THE MAINLINE SIGNING AND THE WORK ZONE, A SINGLE HEADED ARROW (M6-1) SHALL BE USED IN LIEU OF THE DOUBLE HEADED ARROW (M6-4).
5. WHEN WORK IS BEING PERFORMED ON A SIDE ROAD OR DRIVEWAY, FOLLOW THE APPLICABLE STANDARD(S). THE DIRECTIONAL ARROW (M6-1 OR M6-4) SHALL BE COVERED OR REMOVED WHEN NO LONGER CONSISTENT WITH THE TRAFFIC CONTROL SET-UP.
6. ADVANCE WARNING SIGNS ARE TO BE OMITTED ON DRIVEWAYS UNLESS OTHERWISE SPECIFIED IN THE PLANS OR BY THE ENGINEER.
7. THE TRAFFIC CONTROL AND PROTECTION FOR SIDE ROADS, INTERSECTIONS, AND DRIVEWAYS SHALL BE INCLUDED IN THE COST OF SPECIFIED TRAFFIC CONTROL STANDARDS OR ITEMS.

All dimensions are in inches (millimeters) unless otherwise shown.

USER NAME = rodrigo.ledezma	DESIGNED - L.H.A.	REVISED - A. HOUSEH 10-15-96
PLOT SCALE = 0.16666833' / in.	CHECKED -	REVISED - T. RAMMACHER 01-06-00
PLOT DATE = 9/27/2023	DATE - 06-89	REVISED - A. SCHUETZE 07-01-13
		REVISED - A. SCHUETZE 09-15-16

**STATE OF ILLINOIS  
 DEPARTMENT OF TRANSPORTATION**

**TRAFFIC CONTROL AND PROTECTION FOR  
 SIDE ROADS, INTERSECTIONS, AND DRIVEWAYS**

SCALE: SHEET OF SHEETS STA. TO STA.

F.A. RTE.	SECTION	COUNTY	TOTAL SHEETS	SHEET NO.
VAR	2023-SWP-002(W)	WILL	7	7
<b>TC-10</b>			CONTRACT NO. 62W35	
ILLINOIS FED. AID PROJECT				