


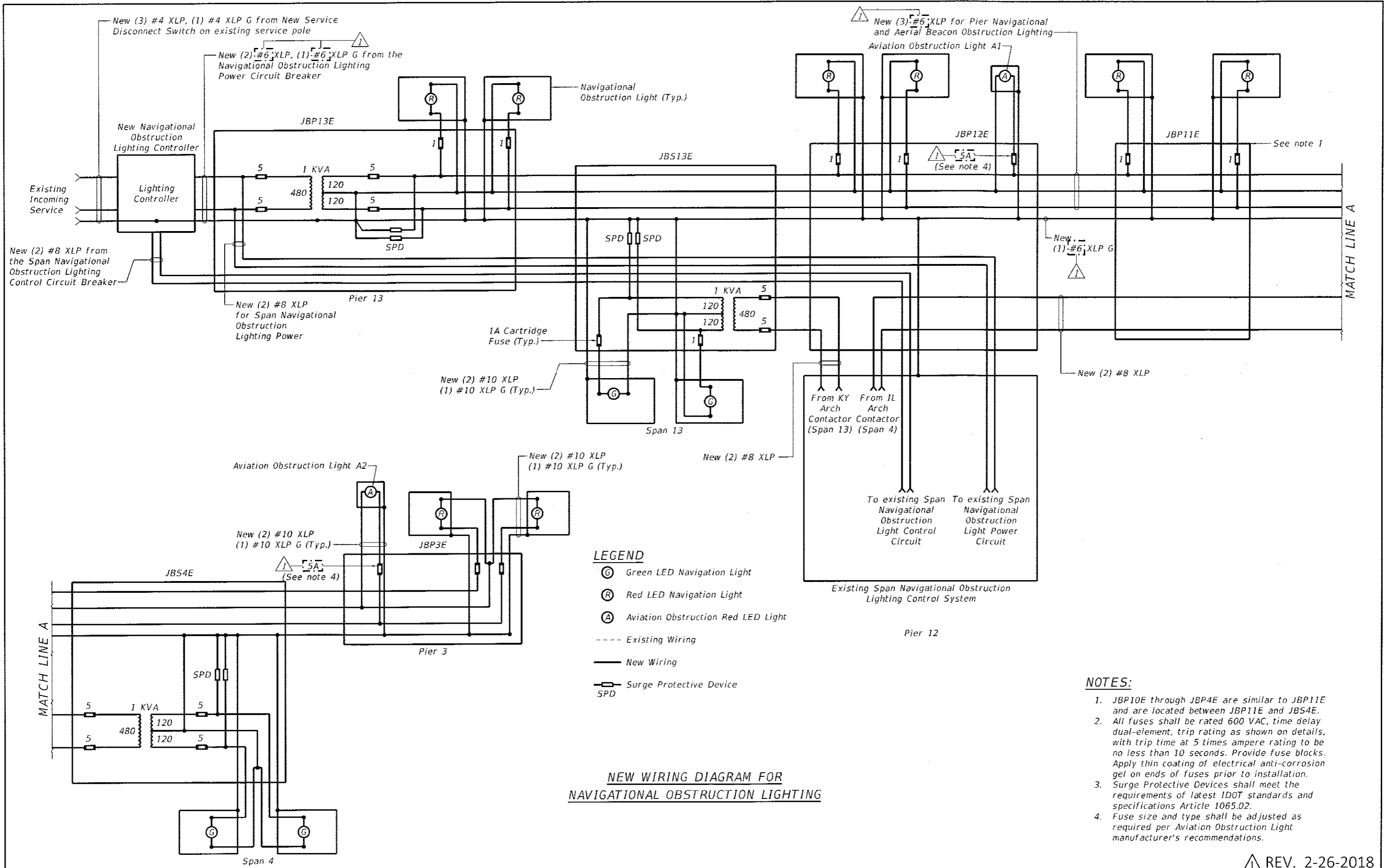
CODE NO.	ITEM	UNIT	TOTAL QUANTITY	CONSTRUCTION CODE	
				90% FEDERAL 10% STATE	50% ILLINOIS 50% KENTUCKY LIGHTING 0021 S.N. 064-0035
67000400	ENGINEER'S FIELD OFFICE, TYPE A	CAL MD	6		6
67100100	MOBILIZATION	L SUM	1		1
70200100	NIGHTTIME WORK ZONE LIGHTING	L SUM	1		1
81028200	UNDERGROUND CONDUIT, GALVANIZED STEEL, 2" DIA.	FOOT	25		25
81100200	CONDUIT ATTACHED TO STRUCTURE, 3/4" DIA., GALVANIZED STEEL	FOOT	1048		1048
81100600	CONDUIT ATTACHED TO STRUCTURE, 2" DIA., GALVANIZED STEEL	FOOT	5507		5507
81300320	JUNCTION BOX, STAINLESS STEEL, ATTACHED TO STRUCTURE, 8" X 8" X 6"	EACH	6		6
81300530	JUNCTION BOX, STAINLESS STEEL, ATTACHED TO STRUCTURE, 12" X 10" X 6"	EACH	8		8
81300915	JUNCTION BOX, STAINLESS STEEL, ATTACHED TO STRUCTURE, 20" X 20" X 8"	EACH	5		5
81702110	ELECTRIC CABLE IN CONDUIT, 600V (XLP-TYPE USE) 1/C NO. 10	FOOT	10307		10307
81702120	ELECTRIC CABLE IN CONDUIT, 600V (XLP-TYPE USE) 1/C NO. 8	FOOT	6400		6400
81702130	ELECTRIC CABLE IN CONDUIT, 600V (XLP-TYPE USE) 1/C NO. 6	FOOT	31100		31100
82200605	WATERWAY OBSTRUCTION WARNING LUMINAIRE, LED	EACH	26		26
82200700	AVIATION OBSTRUCTION WARNING LUMINAIRE	EACH	2		2

1

14

REV. 2-26-2018

	USER NAME *	DESIGNED - R.I. PETERS	REVISED -	<b>STATE OF ILLINOIS</b> <b>DEPARTMENT OF TRANSPORTATION</b>	<b>SUMMARY OF QUANTITIES</b>	F.A.I. RTE.	SECTION	COUNTY	TOTAL SHEETS	SHEET NO.
	PLOT SCALE *	DRAWN - A.E. COOK	REVISED -			24	(84-38)-2	MASSAC	17	4
PLOT DATE *	CHECKED - J.M. HASSARD	REVISED -		SCALE:	SHEET 1 OF 2 SHEETS	STA.	TO STA.	CONTRACT NO. 78589		
	DATE - 11/28/2017	REVISED -						ILLINOIS FED. AID PROJECT		



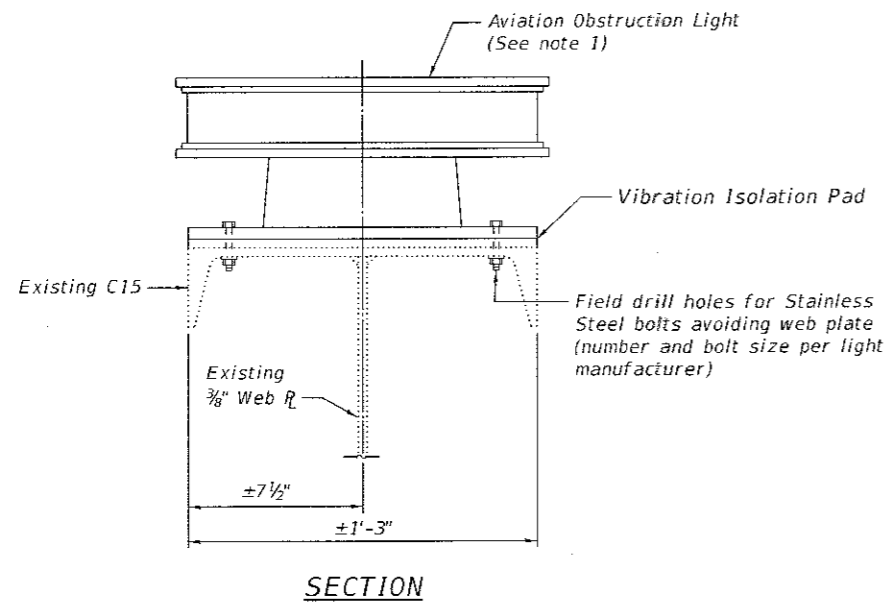
**NEW WIRING DIAGRAM FOR  
NAVIGATIONAL OBSTRUCTION LIGHTING**

- LEGEND**
- ⓐ Green LED Navigation Light
  - Ⓡ Red LED Navigation Light
  - ⓐ Aviation Obstruction Red LED Light
  - Existing Wiring
  - New Wiring
  - SPD Surge Protective Device

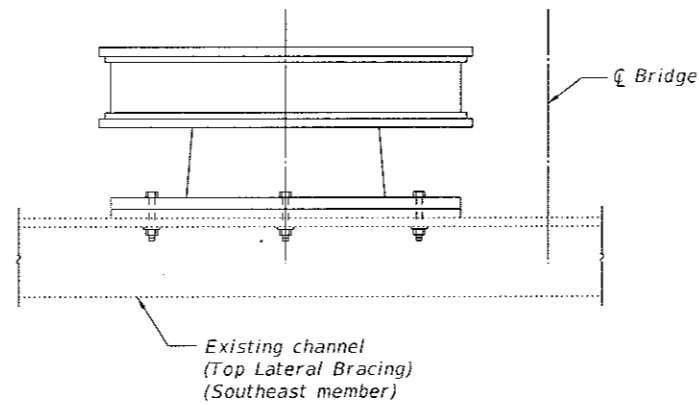
- NOTES:**
- JBP10E through JBP4E are similar to JBP11E and are located between JBP11E and JBS4E.
  - All fuses shall be rated 600 VAC, time delay dual-element, trip rating as shown on details, with trip time at 5 times ampere rating to be no less than 10 seconds. Provide fuse blocks. Apply thin coating of electrical anti-corrosion gel on ends of fuses prior to installation.
  - Surge Protective Devices shall meet the requirements of latest IDOT standards and specifications Article 1065.02.
  - Fuse size and type shall be adjusted as required per Aviation Obstruction Light manufacturer's recommendations.

REV. 2-26-2018

	USER NAME :	DESIGNED - R.J. PETERS	REVISED - 2/23/2018 R.J.P.	<b>STATE OF ILLINOIS DEPARTMENT OF TRANSPORTATION</b>	<b>I-24 OVER OHIO RIVER S.N. 064-0035 NAVIGATIONAL OBSTRUCTION LIGHTING WIRING DIAGRAM</b>	F.A.I. RTE.	SECTION	COUNTY	TOTAL SHEETS	SHEET NO.	
	PLOT SCALE :	CHECKED - L.V. BORDEN	REVISED			24	164-3BL-2	MASSAC	17	13	
	PLOT DATE :	DRAWN - R.L. REED	REVISED			CONTRACT NO. 78589					
		CHECKED - N.K. BHINGE	REVISED			ILLINOIS FED. AID PROJECT					

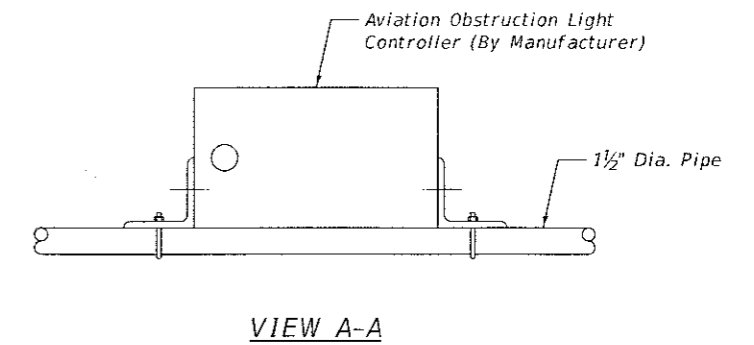


**SECTION**

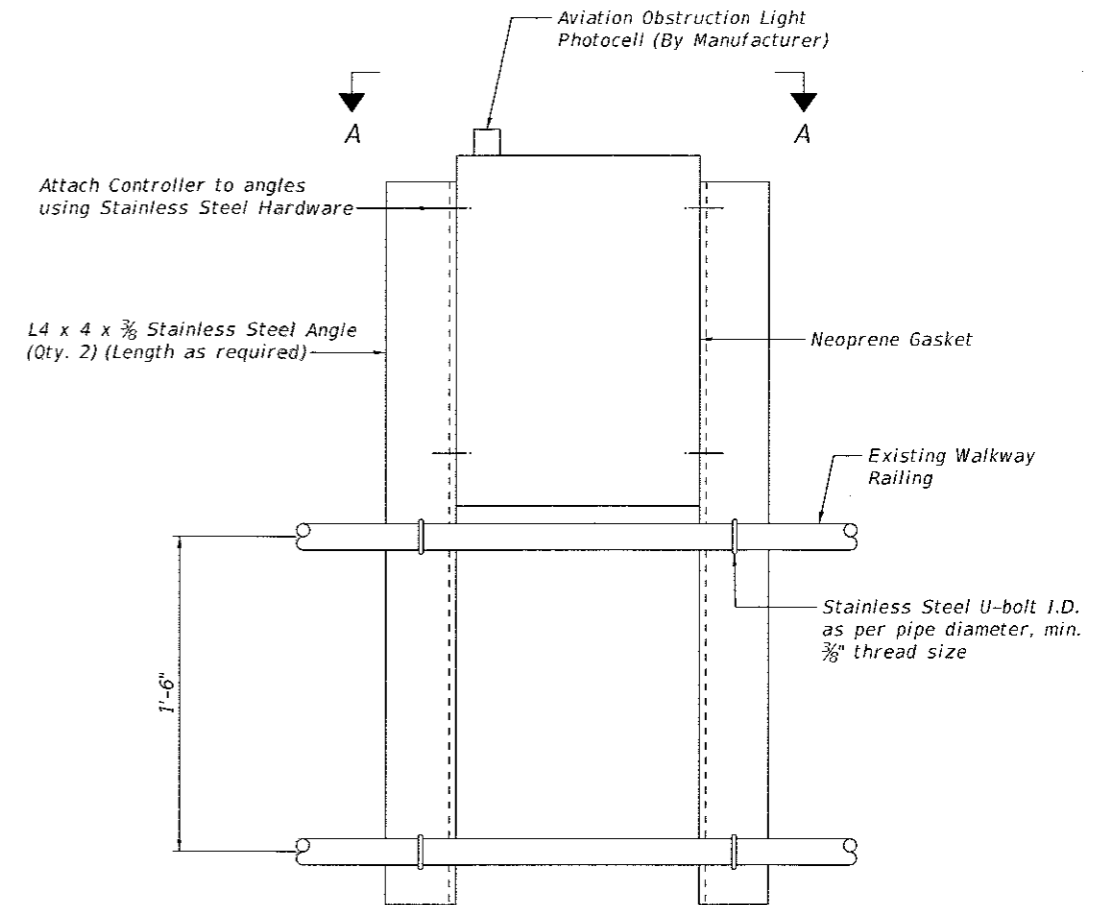


**PART ELEVATION**

**AVIATION OBSTRUCTION LIGHT DETAIL**  
Spans 4 and 13



**VIEW A-A**



**AVIATION OBSTRUCTION LIGHT CONTROLLER MOUNTING DETAIL**

**NOTES:**

1. Aviation Obstruction Light shown shall be dual light with red/medium intensity (L-864) flashing white (L-865) type.
2. Mounting details shown on this sheet are conceptual only. Contractor's mounting methods and hardware shall be submitted to Engineer for approval.
3. All hardware, mounting brackets, controller, LFNC conduit for cable between the controller and the light, and associated components shall be included with the contract unit price per each for the Aviation Obstruction Warning Luminaire.

REVISION 1 REVISED SHEET 2-26-2018

<p>MODJESKI-MASTERS Experience great bridges.</p>	USER NAME =	DESIGNED - J.M. HASSARD	REVISED 2/23/2018 R.L.P.	<b>STATE OF ILLINOIS DEPARTMENT OF TRANSPORTATION</b>	<b>I-24 OVER OHIO RIVER S.N. 064-0035 AVIATION OBSTRUCTION LIGHT ATTACHMENT</b>	F.A.I. RTE.	SECTION	COUNTY	TOTAL SHEETS	SHEET NO.
	PLOT SCALE =	CHECKED - D.W. PETERMEIER	REVISED			24	(64-3BL-2)	MASSAC	17	17
	PLOT DATE = 11/28/2017	DRAWN - P.R. COOPER	REVISED			CONTRACT NO. 78589				
		CHECKED - J.M. HASSARD	REVISED			ILLINOIS FED. AID PROJECT				