

INDEX OF SHEETS

1 COVER SHEET
 2 INDEX OF SHEETS AND HIGHWAY STANDARDS
 3 GENERAL NOTES
 4-14 SUMMARY OF QUANTITIES
 15-20 TYPICAL SECTIONS
 21 SCHEDULE OF QUANTITIES
 22-26 ALIGNMENT, TIES, & BENCHMARKS
 27-29 REMOVAL PLANS
 30-35 ROADWAY PLAN & PROFILE SHEETS
 36 DETOUR PLAN
 37 SUGGESTED STAGES OF CONSTRUCTION LEGEND AND GENERAL NOTES
 38-61 SUGGESTED STAGES OF CONSTRUCTION AND TRAFFIC CONTROL PLAN
 62-64 DRAINAGE SCHEDULES
 65-68 DRAINAGE AND UTILITY PLAN & PROFILE SHEETS
 69-71 PLAT OF HIGHWAYS
 72-73 PERMANENT PAVEMENT MARKING SHEETS
 74-76 **SIGNING SCHEDULES**
 77-80 SIGNING PLANS
 81-82 SIGNING DETAILS
 83-85 ROUNDABOUT LAYOUT PLANS
 86-89 LANDSCAPING AND PERMANENT EROSION CONTROL PLANS
 90 STREET LIGHTING LEGEND, GENERAL NOTES AND INDEX OF DRAWINGS
 91-92 STREET LIGHTING REMOVAL PLANS
 93 TEMPORARY LIGHTING PLANS
 94-97 STREET LIGHTING PLANS
 98-100 ROADWAY AND ENTRANCE DETAILS
 101-123 IDOT DISTRICT I STANDARDS
 124-131 PERMANENT CROSS SECTIONS

HIGHWAY STANDARDS

000001-06 STANDARD SYMBOLS, ABBREVIATIONS AND PATTERNS
 001006 DECIMAL OF AN INCH AND OF A FOOT
 280001-07 TEMPORARY EROSION CONTROL SYSTEMS
 424001-10 PERPENDICULAR CURB RAMPS FOR SIDEWALKS
 424026-02 ENTRANCE / ALLEY PEDESTRIAN CROSSINGS
 424031-01 MEDIAN PEDESTRIAN CROSSINGS
 442201-03 CLASS C AND D PATCHES
 601001-05 PIPE UNDERDRAINS
 602006-04 CATCH BASIN, TYPE B
 602301-04 INLET - TYPE A
 602306-03 INLET - TYPE B
 602401-04 MANHOLE, TYPE A
 602406-08 MANHOLE, TYPE A, 6' (1.8 M) DIAMETER
 602601-05 PRECAST REINFORCED CONCRETE FLAT SLAB TOP
 602701-02 MANHOLE STEPS
 604001-04 FRAME AND LIDS, TYPE I
 604031-03 GRATE TYPE 7
 604036-03 GRATE TYPE 8
 604051-04 FRAME AND GRATE, TYPE 11
 604056-04 FRAME AND GRATE, TYPE 11V
 604091-03 FRAME AND GRATE, TYPE 24
 606001-07 CONCRETE CURB TYPE B AND COMBINATION CONCRETE CURB AND GUTTER
 606301-04 PC CONCRETE ISLANDS AND MEDIANS
 666001-01 RIGHT-OF-WAY MARKERS
 701001-02 OFF-ROAD OPERATIONS, 2L, 2W, MORE THAN 15' (4.5 M) AWAY
 701006-05 OFF-ROAD OPERATIONS, 2L, 2W, 15' (4.5 M) TO 24" (600 MM) FROM PAVEMENT EDGE
 701301-04 LANE CLOSURE, 2L, 2W, SHORT TIME OPERATIONS
 701311-03 LANE CLOSURE, 2L, 2W, MOVING OPERATIONS - DAY ONLY
 701501-06 URBAN LANE CLOSURE, 2L, 2W, UNDIVIDED
 701502-08 URBAN LANE CLOSURE, 2L, 2W, WITH BI-DIRECTIONAL LEFT TURN LANE
 701601-09 URBAN LANE CLOSURE, MULTI-LANE, 1W OR 2W WITH NON-TRAVERSABLE MEDIAN
 701701-10 URBAN LANE CLOSURE, MULTI-LANE INTERSECTION
 701801-06 SIDEWALK, CORNER OR CROSSWALK CLOSURE
 701901-07 TRAFFIC CONTROL DEVICES
 720001-01 SIGN PANEL MOUNTING DETAILS
 720006-04 SIGN PANEL ERECTION DETAILS
 720011-01 METAL POSTS FOR SIGNS, MARKERS, AND DELINEATORS
 728001-01 TELESCOPING STEEL SIGN SUPPORT
 729001-01 APPLICATIONS OF TYPES A AND B METAL POSTS (FOR SIGNS & MARKERS)
 731001-01 BASE FOR TELESCOPING STEEL SIGN SUPPORT

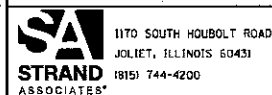
HIGHWAY STANDARDS CONT.

780001-05 TYPICAL PAVEMENT MARKINGS
 814001-03 HANDHOLES
 825026-03 LIGHTING CONTROLLER BASE MOUNTED, 480V
 838001-01 BREAKAWAY DEVICES

DISTRICT ONE STANDARD DETAILS

BD-01 DRIVEWAY DETAIL - DISTANCE BETWEEN R.O.W AND FACE OF CURB & EDGE OF SHOULDER GREATER OR EQUAL TO 15' (4.5 M)
 BD-02 DRIVEWAY DETAIL - DISTANCE BETWEEN R.O.W AND FACE OF CURB GREATER THAN 15' (4.5 M)
 BD-07 STORM SEWER CONNECTION TO EXISTING SEWER
 BD-22 PAVEMENT PATCHING FOR HMA SURFACED PAVEMENT
 BD-24 CURB OR CURB AND GUTTER REMOVAL AND REPLACEMENT
 BD-32 BUTT JOINTS AND HMA TAPER
 BE-200 LIGHTING CONTROLLER, BASE MOUNTED, 480 VOLT, 200 AMP. (DUAL)(4 SHEETS)
 BE-300 LIGHTPOLE FOUNDATION 30' TO 35' M.H. 1 1/2" BOLT CIRCLE
 BE-701 LUMINAIRE SAFETY CABLE ASSEMBLY
 BE-702 MISCELLANEOUS ELECTRICAL DETAILS, SHEET A - (CABLE SPLICE, POLE WIRING, TRENCH DETAIL)
 BE-800 TEMPORARY LIGHT POLE DETAILS
 BE-801 TEMPORARY AERIAL CABLE INSTALLATION
 BM-20 PRUNING FOR SAFETY AND EQUIPMENT CLEARANCE
 TC-10 TRAFFIC CONTROL AND PROTECTION FOR SIDE ROADS, INTERSECTIONS AND DRIVEWAYS
 TC-11 RAISED REFLECTIVE PAVEMENT MARKERS (SNOW PLOW RESISTANT)
 TC-13 DISTRICT ONE TYPICAL PAVEMENT MARKINGS
 TC-16 SHORT TERM PAVEMENT MARKING LETTERS AND SYMBOLS
 TC-21 DETOUR SIGNING FOR CLOSING STATE HIGHWAYS
 TC-22 ARTERIAL ROAD INFORMATION SIGN
 TC-26 DRIVEWAY ENTRANCE SIGNING

FILE NAME = S:\JUL1508-1599\1599\1599\1599\1599\CADD_Sheets\DI2245-1599-1599.dgn



USER NAME = B11P
 MODEL NAME = Default
 PLOT SCALE = 2.0000 / in.
 PLOT DATE = 12/15/2017

DESIGNED - WRP
 DRAWN - AJJ
 CHECKED - MAG
 DATE - 11/29/2017

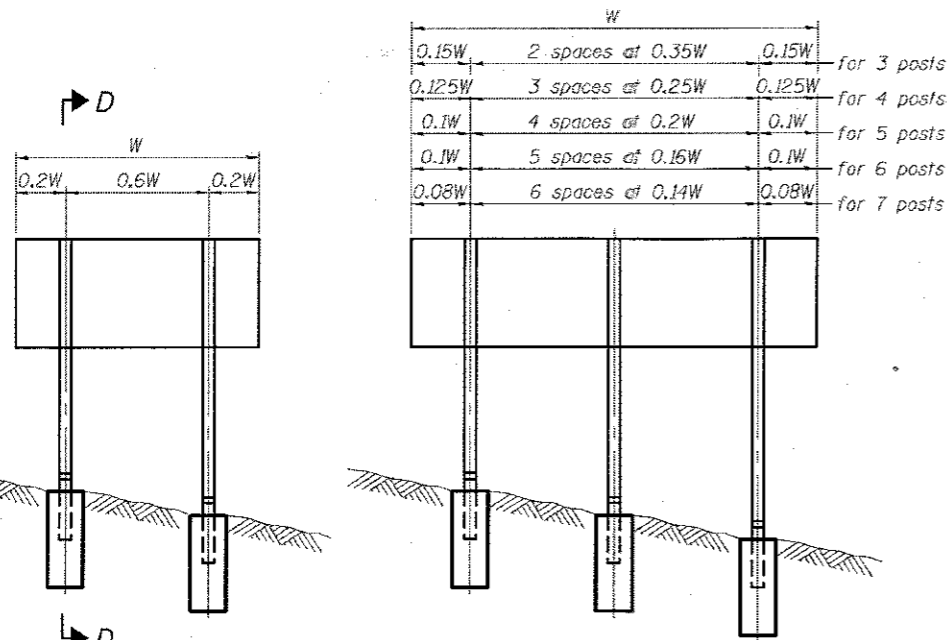
REVISED - Δ 2/27/18
 REVISED -
 REVISED -
 REVISED -

**STATE OF ILLINOIS
 DEPARTMENT OF TRANSPORTATION**

INDEX OF SHEETS AND HIGHWAY STANDARDS

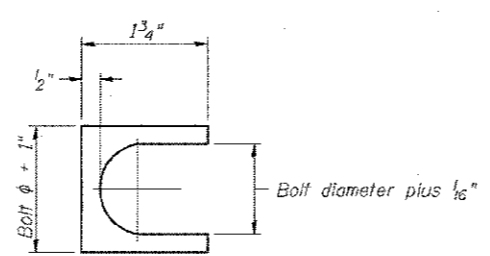
SCALE: SHEET OF SHEETS STA. TO STA.

F.A.U. RTE.	SECTION	COUNTY	TOTAL SHEETS	SHEET NO.
1709	12-00069-00-CH	COOK	131	2
CONTRACT NO. 61E48			[ILLINOIS] FED. AID PROJECT	



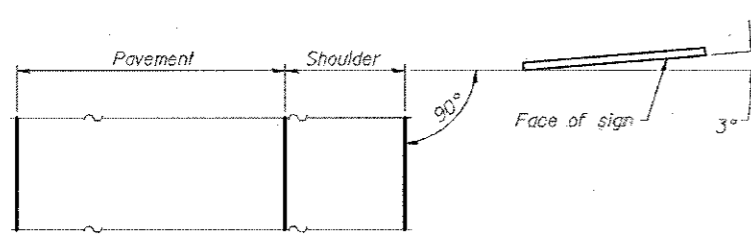
ELEVATION

0.15W	2 spaces at 0.35W	0.15W	for 3 posts
0.125W	3 spaces at 0.25W	0.125W	for 4 posts
0.1W	4 spaces at 0.2W	0.1W	for 5 posts
0.1W	5 spaces at 0.16W	0.1W	for 6 posts
0.08W	6 spaces at 0.14W	0.08W	for 7 posts

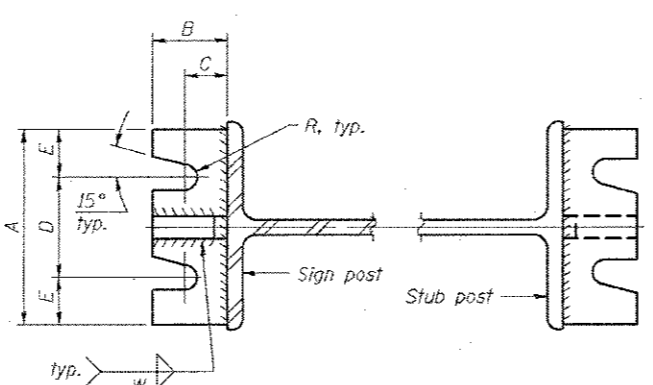


SHIM DETAIL

Furnish two 0.01" thick and two 0.03" thick stainless steel or brass (ASTM B36) shims per post.

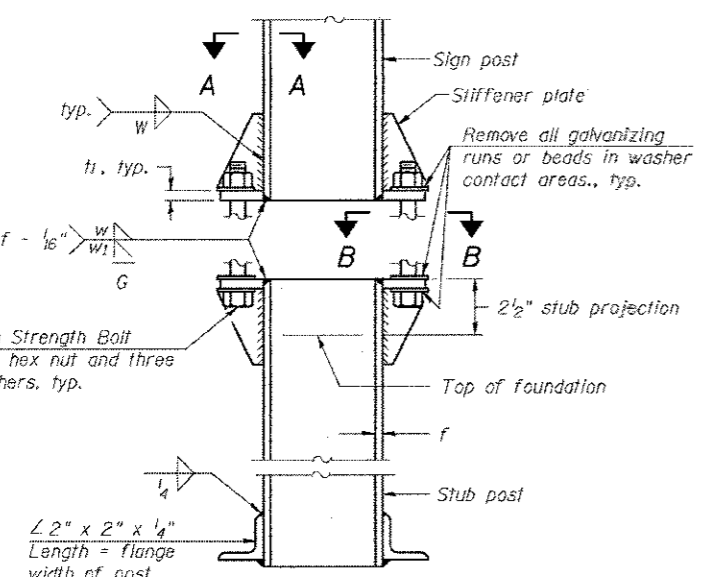


LOCATION SKETCH

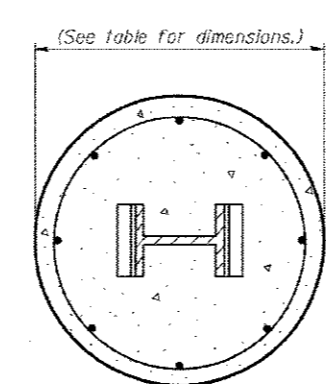


SECTION A-A

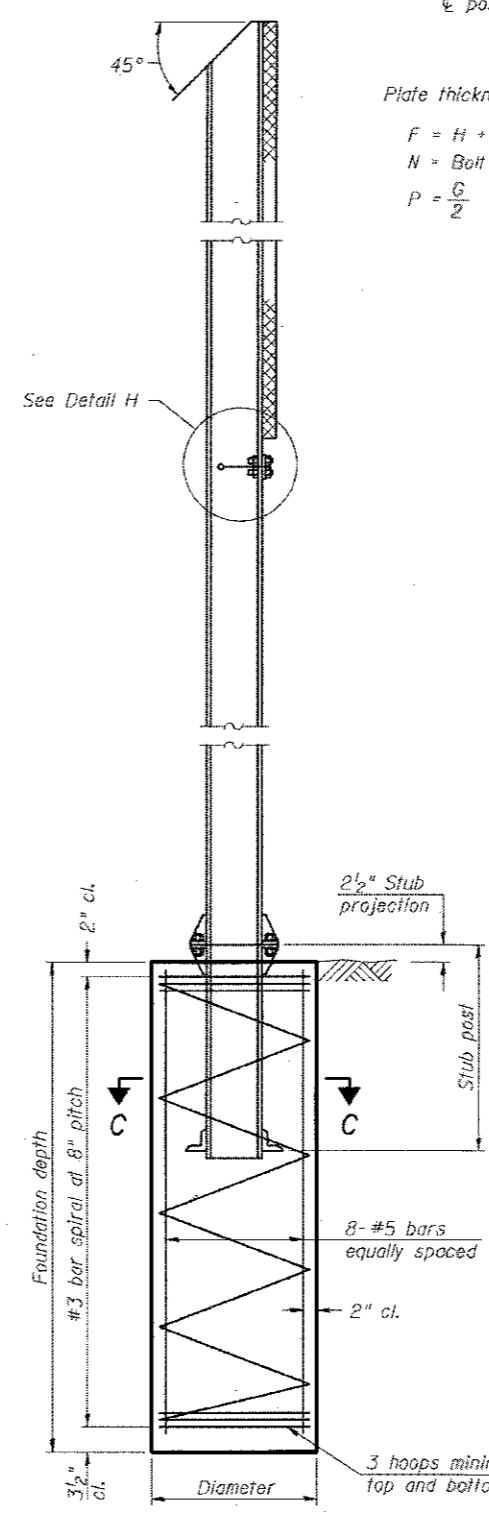
SECTION B-B



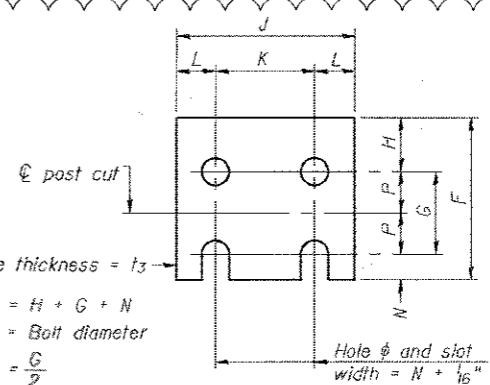
ELEVATION SIGN POST & STUB POST



SECTION C-C



SECTION D-D



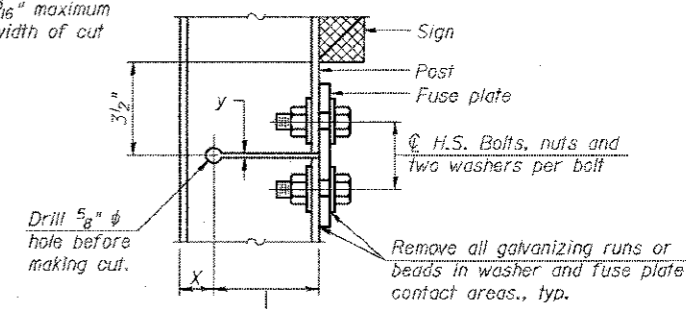
FUSE PLATE DETAIL

(Install with notches down.)

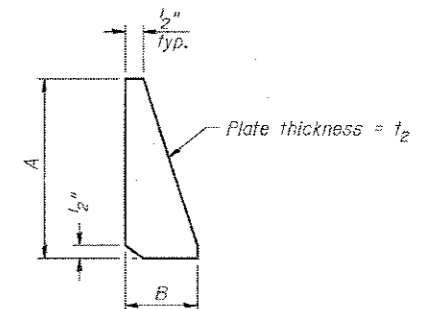
Plate thickness = t_3
 $F = H + G + N$
 $N = \text{Bolt diameter}$
 $P = \frac{G}{2}$

N = Bolt Diameter	G	H
1/2"	2"	1 1/8"
5/8"	2 1/4"	1 1/4"
3/4"	2 1/2"	1 3/8"
7/8"	2 3/4"	1 1/2"
1"	3"	1 5/8"
1 1/8"	3 1/4"	1 3/4"
1 1/4"	3 1/2"	1 7/8"

$y = 3/16"$ maximum width of cut



DETAIL H



STIFFENER PLATE DETAIL

GENERAL NOTES

Posts shall be plumbed by using shims with post-to-stub post connection bolts snug tight only. Final tightening of all High Strength Bolts shall be in accordance with Article 727.05 and threads at the junction of the bolt and nut shall be burred or center punched to prevent the nut from loosening.

LOADING: 80 m.p.h. wind with 30% gust factor, normal to sign.

DESIGN STRESSES:
 Structural steel - 20,000 p.s.i.
 Reinforcing steel - 20,000 p.s.i.
 Concrete - 1,400 p.s.i.
 Footing soil pressure - 2,000 p.s.f.

After fabrication, the post, fuse plate and upper 6" min. of the stub post shall be hot-dip galvanized in accordance with AASHTO M11. All bolts, nuts and washers shall be hot-dip galvanized in accordance with AASHTO M232.

Work this sheet with Base Sheet BAW-A-2.

FILE NAME = SA\JUL\1528-1595\1555\094\Miscos\CADD_Sheets\0122345-akt-signr-architectures-ds-en-us\adp

BAW-A-1

6-1-12

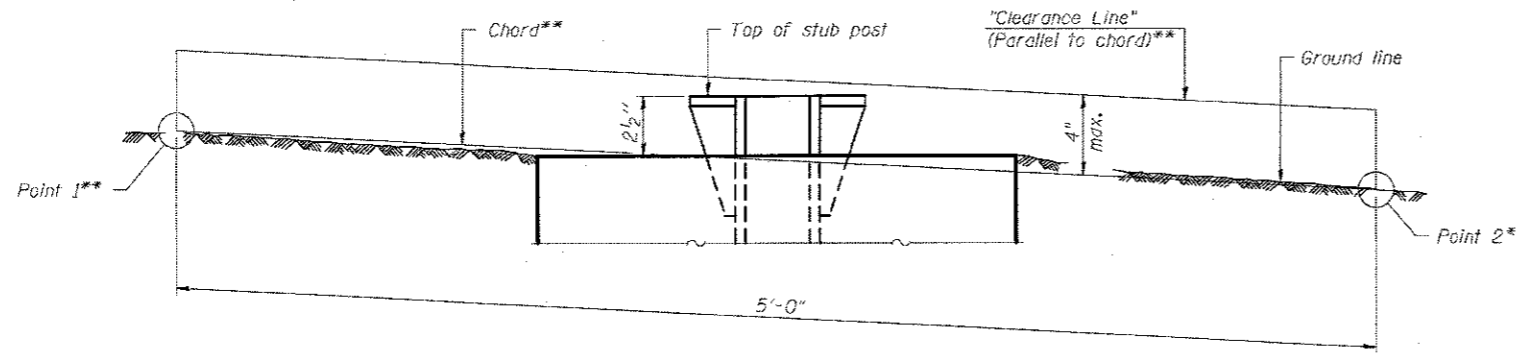
(Sheet 1 of 2)

<p>1170 SOUTH HOUBOLT ROAD JOLIET, ILLINOIS 60431 (815) 744-4200</p>	USER NAME = B.LJP	DESIGNED - WRP	REVISED - 02/27/2018 WRP	<p>STATE OF ILLINOIS DEPARTMENT OF TRANSPORTATION</p>	BREAK-AWAY WIDE FLANGE STEEL SIGN POST DETAILS		F.A.U. RTE. 1709	SECTION 12-00069-00-CH	COUNTY COOK	TOTAL SHEETS 131	SHEET NO. 76A		
	MODEL NAME = Default	DRAWN - AJJ	REVISED -		SCALE: N/A	SHEET 1	OF 2 SHEETS	STA. N/A	TO STA. N/A	ILLINOIS FED. AID PROJECT			
	PLOT SCALE = 100.0000 / 1 in.	CHECKED - MAG	REVISED -										
	PLOT DATE = 2/27/2018	DATE - 11/29/2017	REVISED -										
	CONTRACT NO. 61E48												

POST	CONCRETE FOUNDATION TABLE								POST TO STUB POST CONNECTION DATA								FUSE PLATE DATA					
	Foundation			Reinforcement			Stub Post Length	Bolt Size	A	B	C	D	E	f ₁	f ₂	R	W	J	K	L	t ₃	
	Diameter	Minimum Depth	Concrete (cu. yds.)	Vertical Bars Length	Bar Spirals Diameter	Bar Spirals Length																lbs. (2)
W6x9	2'-0"	6'-0"	0.70	5'-9"	1'-8 1/2"	79'-0"	78	2'-3"	5/8" x 3/4"	6"	2 1/4"	1 1/4"	3 1/2"	1 1/4"	3/4"	1/2"	5/32"	1/4"	4"	2 1/4"	7/8"	1/4"
W6x15	2'-0"	6'-0"	0.70	5'-9"	1'-8 1/2"	79'-0"	78	2'-6"	5/8" x 3/4"	6"	2 1/4"	1 1/4"	3 1/2"	1 1/4"	3/4"	1/2"	5/32"	1/4"	6"	3 1/2"	1 1/4"	3/8"
W8x18	2'-0"	6'-0"	0.70	5'-9"	1'-8 1/2"	79'-0"	78	2'-6"	3/4" x 3/4"	6"	2 1/2"	1 3/8"	3 1/4"	1 3/8"	1"	1/2"	13/32"	5/16"	5 1/4"	2 3/4"	1 1/4"	3/8"
W10x22	2'-6"	6'-6"	1.18	6'-3"	2'-2 1/2"	105'-0"	92	3'-0"	3/4" x 3/4"	6"	2 1/2"	1 3/8"	3 1/4"	1 3/8"	1"	1/2"	13/32"	5/16"	5 3/4"	2 3/4"	1 1/2"	1/2"
W10x26	2'-6"	7'-0"	1.27	6'-9"	2'-2 1/2"	112'-0"	98	3'-0"	7/8" x 4"	7"	2 3/4"	1 1/2"	4"	1 1/2"	1"	3/4"	5/32"	3/8"	5 3/4"	2 3/4"	1 1/2"	5/8"
W12x26	2'-6"	7'-9"	1.41	7'-6"	2'-2 1/2"	119'-0"	107	3'-0"	7/8" x 4"	7"	2 3/4"	1 1/2"	4"	1 1/2"	1"	3/4"	5/32"	3/8"	6 1/2"	3 1/2"	1 1/2"	5/8"
W14x30	3'-0"	7'-3"	1.90	7'-0"	2'-8 1/2"	145'-0"	113	3'-0"	7/8" x 4"	7"	2 3/4"	1 1/2"	4"	1 1/2"	1"	3/4"	5/32"	3/8"	6 3/4"	3 1/2"	1 5/8"	1/2"
W14x38	3'-0"	8'-0"	2.09	7'-9"	2'-8 1/2"	153'-0"	122	3'-6"	1" x 4 1/2"	7 1/2"	3"	1 3/4"	4"	1 3/4"	1 1/4"	3/4"	11/32"	3/8"	6 3/4"	3 1/2"	1 5/8"	1/2"
W16x45	3'-0"	8'-6"	2.23	8'-3"	2'-8 1/2"	162'-0"	130	3'-6"	1" x 4 1/2"	7 1/2"	3"	1 3/4"	4"	1 3/4"	1 1/4"	3/4"	11/32"	3/8"	7"	3 1/2"	1 3/4"	1/2"

*Dimensional changes required for varying site conditions shall be approved by the Engineer.

POST	FUSE PLATE BOLT SIZE																					
	Sign Height																					
	4'-0"	5'-0"	6'-0"	7'-0"	8'-0"	9'-0"	10'-0"	11'-0"	12'-0"	13'-0"	14'-0"	15'-0"	16'-0"	17'-0"	18'-0"	19'-0"	20'-0"	21'-0"	22'-0"	23'-0"	24'-0"	
W6x9	1/2" x 1 1/2"	1/2" x 1 1/2"	1/2" x 1 1/2"	1/2" x 1 1/2"	---	---	---	---	---	---	---	---	---	---	---	---	---	---	---	---	---	
W6x15	1/2" x 1 3/4"	1/2" x 1 3/4"	1/2" x 1 3/4"	5/8" x 2"	5/8" x 2"	3/4" x 2"	3/4" x 2"	3/4" x 2"	3/4" x 2"	---	---	---	---	---	---	---	---	---	---	---	---	
W8x18	1/2" x 1 3/4"	1/2" x 1 3/4"	1/2" x 1 3/4"	1/2" x 1 3/4"	5/8" x 2"	5/8" x 2"	3/4" x 2"	3/4" x 2"	3/4" x 2"	3/4" x 2"	---	---	---	---	---	---	---	---	---	---	---	
W10x22	1/2" x 2"	1/2" x 2"	1/2" x 2"	1/2" x 2"	1/2" x 2"	5/8" x 2"	5/8" x 2"	3/4" x 2 1/4"	3/4" x 2 1/4"	3/4" x 2 1/4"	3/4" x 2 1/4"	3/4" x 2 1/4"	3/4" x 2 1/4"	---	---	---	---	---	---	---	---	
W10x26	1/2" x 2"	1/2" x 2"	1/2" x 2"	1/2" x 2"	1/2" x 2"	5/8" x 2 1/4"	5/8" x 2 1/4"	3/4" x 2 1/2"	3/4" x 2 1/2"	3/4" x 2 1/2"	3/4" x 2 1/2"	3/4" x 2 1/2"	3/4" x 2 1/2"	3/4" x 2 1/2"	---	---	---	---	---	---	---	
W12x26	1/2" x 2"	1/2" x 2"	1/2" x 2"	1/2" x 2"	1/2" x 2"	5/8" x 2 1/4"	5/8" x 2 1/4"	3/4" x 2 1/2"	3/4" x 2 1/2"	3/4" x 2 1/2"	3/4" x 2 1/2"	3/4" x 2 1/2"	3/4" x 2 1/2"	3/4" x 2 1/2"	3/4" x 2 1/2"	---	---	---	---	---	---	
W14x30	1/2" x 2"	1/2" x 2"	1/2" x 2"	1/2" x 2"	1/2" x 2"	5/8" x 2"	5/8" x 2"	3/4" x 2 1/4"	3/4" x 2 1/4"	3/4" x 2 1/4"	3/4" x 2 1/4"	3/4" x 2 1/4"	3/4" x 2 1/4"	3/4" x 2 1/4"	3/4" x 2 1/4"	3/4" x 2 1/4"	3/4" x 2 1/4"	3/4" x 2 1/4"	---	---	---	
W14x38	1/2" x 2"	1/2" x 2"	1/2" x 2"	1/2" x 2"	1/2" x 2"	5/8" x 2 1/4"	5/8" x 2 1/4"	3/4" x 2 1/2"	3/4" x 2 1/2"	3/4" x 2 1/2"	3/4" x 2 1/2"	3/4" x 2 1/2"	3/4" x 2 1/2"	7/8" x 2 1/2"	7/8" x 2 1/2"	1" x 2 3/4"	1" x 2 3/4"	1" x 2 3/4"	1" x 2 3/4"	1" x 2 3/4"	1" x 2 3/4"	1" x 2 3/4"
W16x45	---	1/2" x 2"	1/2" x 2"	1/2" x 2"	1/2" x 2"	1/2" x 2"	1/2" x 2"	5/8" x 2 1/4"	5/8" x 2 1/4"	5/8" x 2 1/4"	5/8" x 2 1/4"	5/8" x 2 1/4"	5/8" x 2 1/4"	7/8" x 2 1/2"	7/8" x 2 1/2"	1" x 2 3/4"	1" x 2 3/4"	1" x 2 3/4"	1" x 2 3/4"	1" x 2 3/4"	1" x 2 3/4"	1" x 2 3/4"



**ELEVATION
GROUND LINE & STUB POST**

** For all "Point 1" and "Point 2" locations, "Clearance Line" must be at or above top of stub post.

- ① Quantity includes all concrete necessary for one foundation.
- ② Includes reinforcement bars and spiral hooping for one foundation.

△ (ENTIRE SHEET)

Sheet 2 of 2

FILE NAME = SA\JDL\522-1898\1855\084\Kieros\KADD_Sheets\012345-sh1-sign-schedule-detail.dgn

BAW-A-2

6-1-12

SA STRAND ASSOCIATES
1170 SOUTH HOUBOLT ROAD
JOLIET, ILLINOIS 60431
(815) 744-4200

USER NAME = BJJP
MODEL NAME = Default
PLOT SCALE = 100.0000' / 1"
PLOT DATE = 2/27/2018

DESIGNED - WRP
DRAWN - AJJ
CHECKED - MAG
DATE - 11/29/2017

REVISED - △ 02/27/2018 WRP
REVISED -
REVISED -
REVISED -

**STATE OF ILLINOIS
DEPARTMENT OF TRANSPORTATION**

**BREAK-AWAY WIDE FLANGE
STEEL SIGN POST DETAILS**

SCALE: N/A SHEET 2 OF 2 SHEETS STA. N/A TO STA. N/A

F.A.U. RTE.	SECTION	COUNTY	TOTAL SHEETS	SHEET NO.
1709	12-00069-00-CH	COOK	131	76B
CONTRACT NO. 61E48			ILLINOIS FED. AID PROJECT	