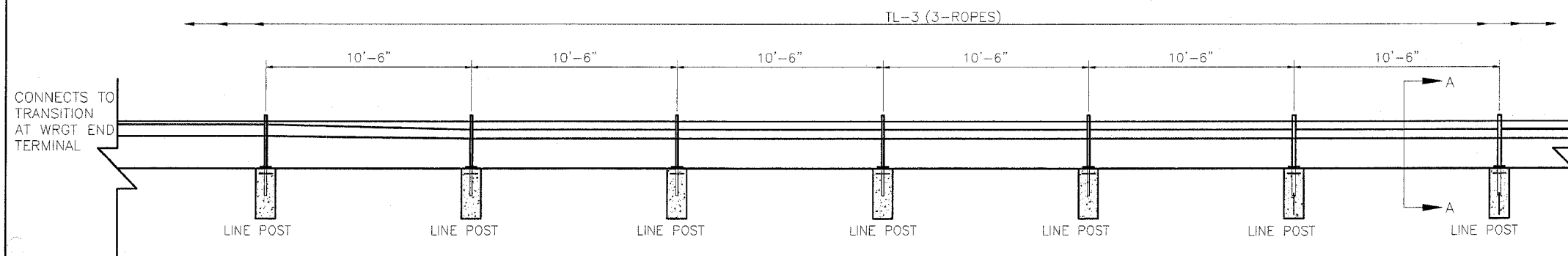


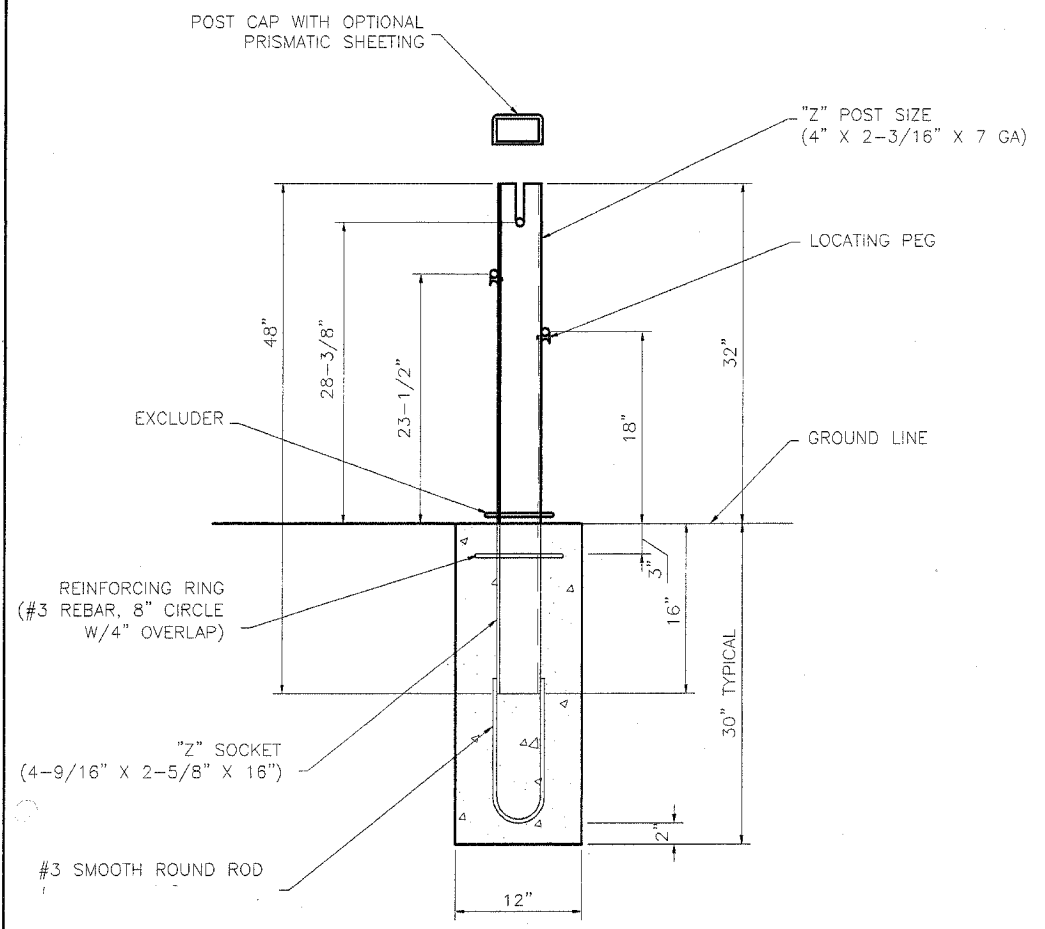
FBI RTE	SECTION	COUNTY	TOTAL SHEETS	SHEET NO.
57	2005-038 I	COOK/WILL	58	50
STA.		STA.		
FED. ROAD DIST. NO.		ILLINOIS		FED. AID PROJECT

NOTES:

- BRIFEN DRAWINGS, SPECIFICATIONS AND PRODUCT MANUAL SHOULD BE REVIEWED PRIOR TO STARTING AN INSTALLATION. FOR ASSISTANCE OR ADDITIONAL INFORMATION CALL 1-866-427-4336 TOLL FREE.
- WIRE ROPE SAFETY FENCE (WRSF) IS RECOMMENDED FOR INSTALLATIONS ON SLOPES OF 6:1 OR FLATTER. THE AREA SHOULD BE RELATIVELY SMOOTH, WITHOUT EDGE DROP-OFF, ABRUPT SLOPE CHANGES, HOLES, DEBRIS, ETC. THAT COULD PREVENT A VEHICLE FROM IMPACTING THE WRSF WITH ALL WHEELS ON THE GROUND AND SUSPENSION NORMAL. SOME FILLING AND/OR GRADING AND COMPACTION MAY BE NECESSARY. THE ROPES MUST BE PLACED AT DESIGN HEIGHT ABOVE GROUND LINE. TOLERANCE IS $\pm 1"$.
- WRSF MAY BE INSTALLED ON EITHER SIDE OF THE ROAD WAY. THE RADIUS EDGE OF POSTS SHALL BE ON THE APPROACH SIDE OF TRAFFIC. ALSO SEE SHEET 5.
- POSTS SHALL BE SOCKETED DESIGN, UNLESS OTHERWISE SPECIFIED; SPACING MAY BE DECREASED TO AVOID OBSTACLES. ADEQUATE CLEARANCE TO RIGID OBSTACLES SUCH AS BRIDGE PIERS, SIGN SUPPORTS, POWER POLES AND TREES, IS CRITICAL. SEE PRODUCT MANUAL OR CONTACT MANUFACTURER.
- CONCRETE TO BE 3,500 PSI MINIMUM. EXPOSED SURFACES TO BE HAND TROWELED. FOUNDATION FOR USE IN FIRM SOIL OR WHEN INSTALLED SURROUNDED BY 4" MIN. SURFACING.
- PRISMATIC REFLECTIVE SHEETING (ADHESIVE BACK) WHEN SPECIFIED SHALL BE FIELD APPLIED. SPECIFY COLOR, POST INTERVAL AND SINGLE OR DOUBLE SIDED.
- EXCLUDER TO BE PUSHED DOWN TIGHT AGAINST TOP OF SOCKET. SOCKET SHALL BE FLUSH WITH THE TOP OF THE FOUNDATION.

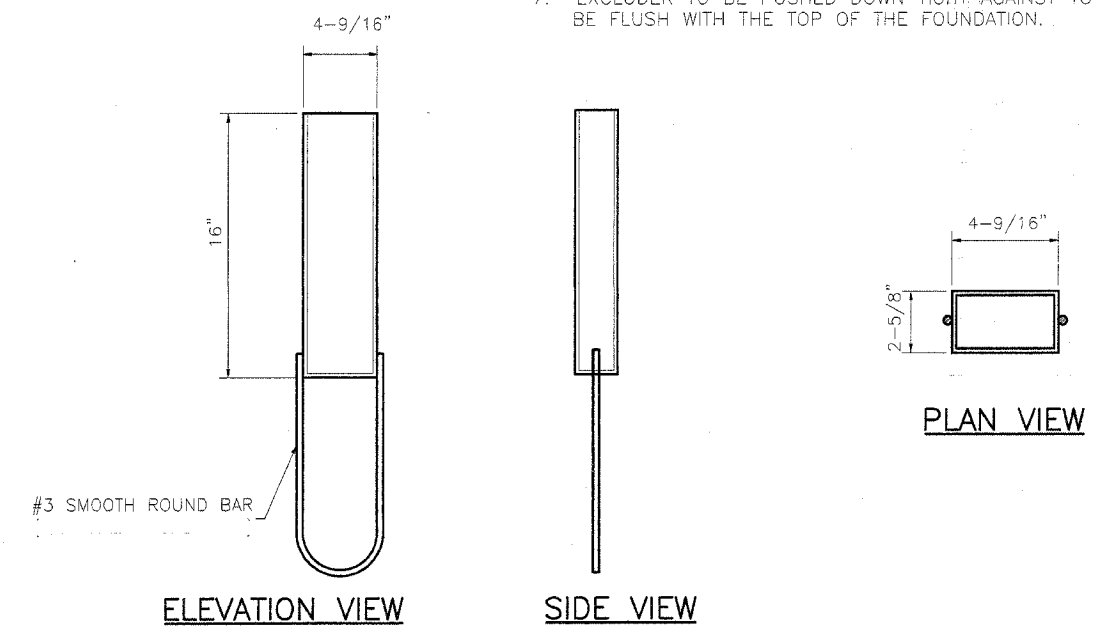


TYPICAL ELEVATION
(SEE DETAIL BELOW)



SECTION A-A
LINE POST
WITH "Z" SOCKET

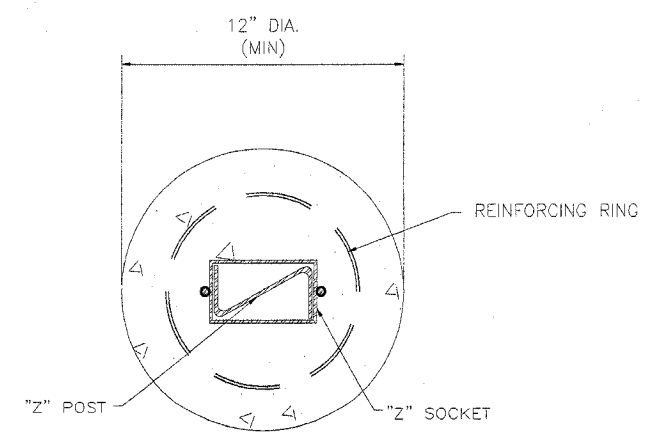
CONCRETE SOCKETED FOUNDATION
(DRIVEN STEEL SOCKET OPTIONAL)



ELEVATION VIEW

SIDE VIEW

'Z' SOCKET DETAIL



FOUNDATION PLAN VIEW

The information herein is proprietary to BRIFEN USA, and shall not be disclosed, duplicated or used otherwise without the express written consent of BRIFEN USA, Inc.

Revisions No. Date By			TL-3 WRSF DETAIL (3-ROPES @ 10'-6" POST SPACING) (INCLUDING TRANSITION TO WRGT)		
1.	6.21.05	MW	5.17.05	Manita Workman	None
2.	6.28.05	MW	VERSION 8.6		Sheet No.
3.	7.21.05	MW			
4.	8.01.05	MW	Dwg. No. WRSF-05-203a		3 of 11
5.	8.04.05	MW			