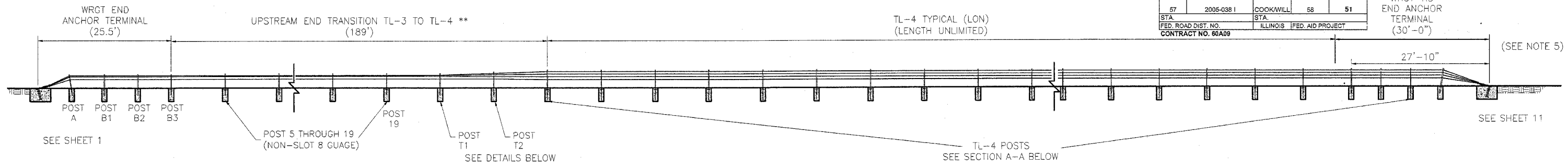


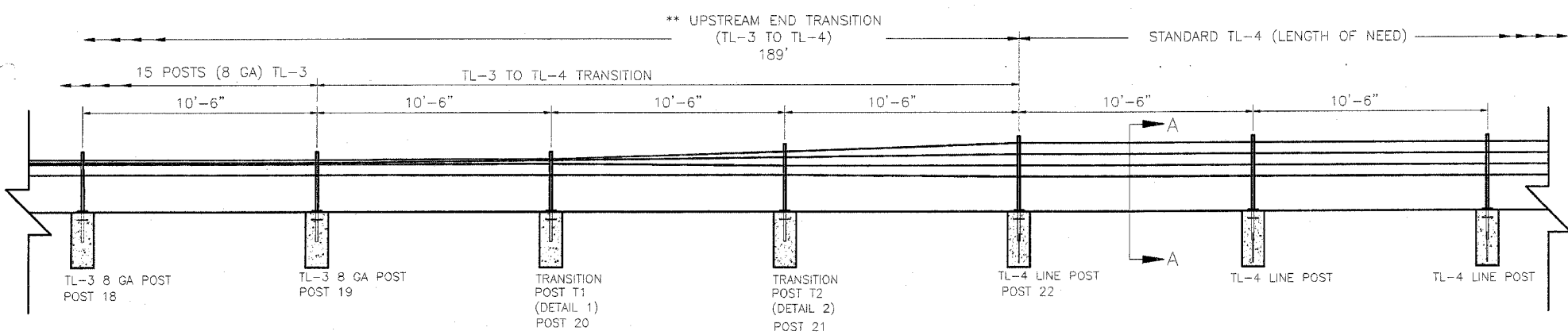
| | | | | |
|---------------------|------------|-----------|------------------|-----------|
| FAI | SECTION | COUNTY | TOTAL SHEETS | SHEET NO. |
| 57 | 2005-038 I | COOK/WILL | 56 | 51 |
| STA. | | STA. | | |
| FED. ROAD DIST. NO. | | ILLINOIS | FED. AID PROJECT | |
| CONTRACT NO. 60A09 | | | | |

WRGT-RD
END ANCHOR
TERMINAL
(30'-0")
(SEE NOTE 5)



** PAID AS LF OF TL-4 WRSF

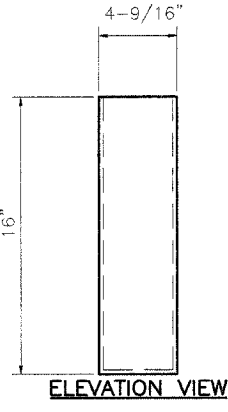
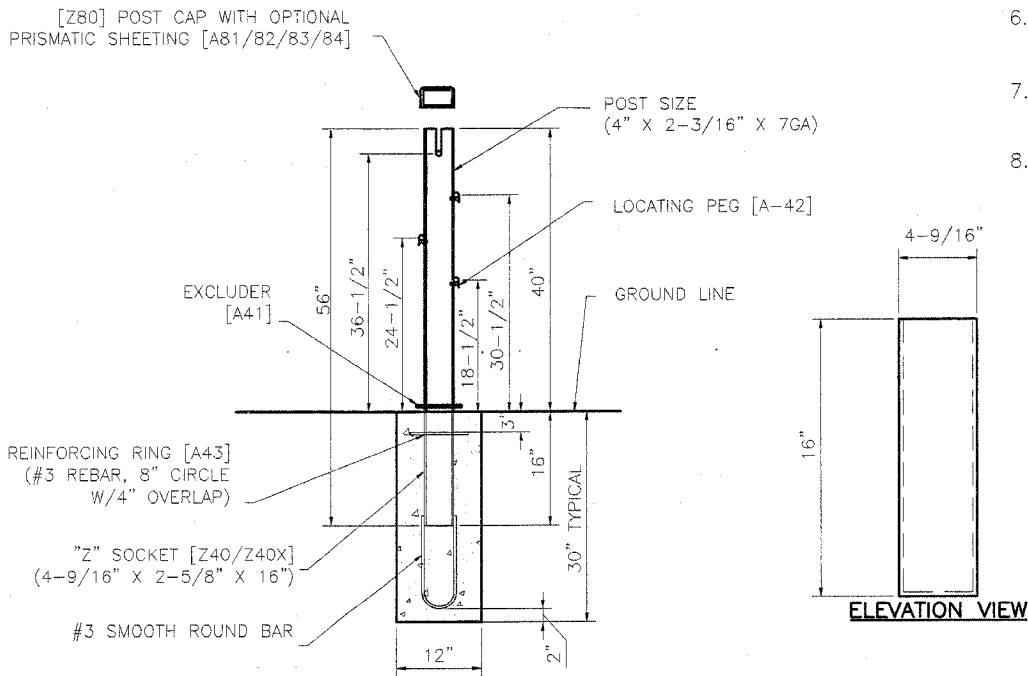
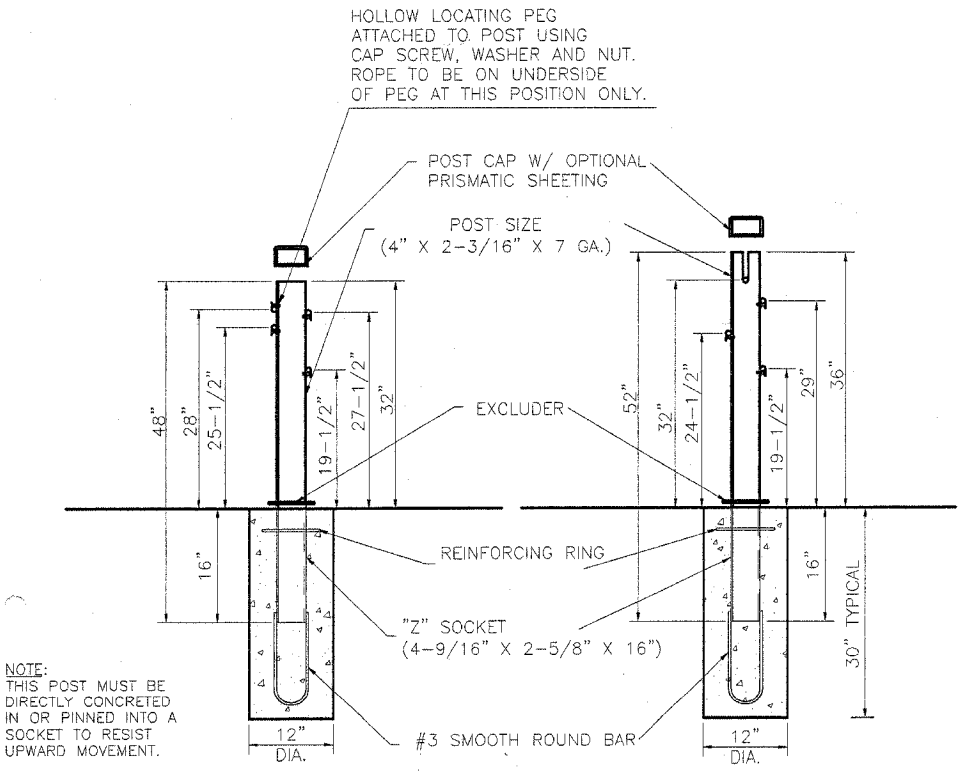
TYPICAL TL-4 LAYOUT



ELEVATION AT TRANSITION

NOTES:

- BRIFEN DRAWING, SPECIFICATIONS & PRODUCT MANUAL SHOULD BE REVIEWED PRIOR TO STARTING OF INSTALLATION. FOR ASSISTANCE OR ADDITIONAL INFORMATION CALL 1-866-427-4336 TOLL FREE.
- WIRE ROPE SAFETY FENCE (WRSF) IS RECOMMENDED FOR INSTALLATIONS ON SLOPE OF 6:1 OR FLATTER. THE AREA SHOULD BE RELATIVELY SMOOTH, WITHOUT EDGE DROP-OFFS, ABRUPT SLOPE CHANGES, HOLES, DEBRIS, ETC. THAT COULD PREVENT A VEHICLE FROM IMPACTING THE WRSF WITH ALL WHEELS ON THE GROUND AND SUSPENSION NORMAL. SOME FILLING AND/OR GRADING AND COMPACTION MAY BE NECESSARY. THE ROPES MUST BE PLACED AT DESIGN HEIGHT ABOVE GROUND LINE. TOLERANCE IS ± 1".
- WRSF MAY BE INSTALLED ON EITHER SIDE OF THE ROADWAY. THE RADIUS EDGE OF POSTS SHOULD BE ON THE APPROACH SIDE OF TRAFFIC. LINE POSTS SHALL BE SOCKETED DESIGN, UNLESS OTHERWISE SPECIFIED (ALSO SEE SHEET 5). SPACING MAY BE DECREASED TO AVOID OBSTACLES.
- TYPICAL DEPTH FOUNDATION INTENDED FOR USE IN FIRM SOIL OR WHEN INSTALLED SURROUNDED BY 4" MIN. SURFACING.
- WRGT-RD END ANCHOR TERMINAL MAY BE USED ON ANY TL-4 WRSF LOCATION SHIELDED FROM TRAFFIC (EXITING ENDS OF BRIDGES, ETC), OR WITHIN HORIZONTAL CLEAR ZONE ON DOWNSTREAM ENDS ONLY IF HEAD-ON IMPACTS ARE UNLIKELY.
- CONCRETE TO BE 3,500 PSI MINIMUM. EXPOSED SURFACES TO BE HAND TROWELED.
- PRISMATIC REFLECTIVE SHEETING (ADHESIVE BACK) WHEN SPECIFIED TO BE FIELD APPLIED. SPECIFY COLOR, POST INTERVAL AND SINGLE OR DOUBLE SIDED.
- EXCLUDER TO BE PUSHED DOWN TIGHT AGAINST TOP OF SOCKET. SOCKET SHALL BE FLUSH WITH THE TOP OF THE FOUNDATION.



NOTE:
THIS POST MUST BE DIRECTLY CONCRETED IN OR PINNED INTO A SOCKET TO RESIST UPWARD MOVEMENT.

DETAIL 1
T1-TRANSITION POST (NON-SLOTTED) [ZT1]
(4" X 2-3/16" X 7 GA.)
CONCRETE SOCKETED FOUNDATION

DETAIL 2
T2-TRANSITION (SLOTTED) POST [ZT2]
(4" X 2-3/16" X 7 GA.)
CONCRETE SOCKETED FOUNDATION

TL-4 LINE POST DETAIL
(4" X 2-3/16" X 7 GA.)
CONCRETE SOCKETED FOUNDATION

SECTION A-A

TL-4 ('Z') SOCKET DETAIL [Z40/Z40X]
SIZE: 4-9/16" X 2-5/8" X 16"

The information herein is proprietary to BRIFEN USA, and shall not be disclosed, duplicated or used otherwise without the express written consent of BRIFEN USA, Inc.

| Revisions | | | TL-4 WRSF DETAILS (4-ROPE, INCLUDES TRANSITION TO TL-3) | | |
|-----------|---------|----|--|----------------|---------|
| No. | Date | By | Date | Drawn By | Scale |
| 1. | 6.21.05 | MW | 5.17.05 | Manita Workman | None |
| 2. | 6.28.05 | MW | | | |
| 3. | 7.21.05 | MW | VERSION 8.6 | | |
| 4. | 8.01.05 | MW | | | |
| 5. | 8.04.05 | MW | Dwg. No. | WRSF-05-204a | 4 of 11 |