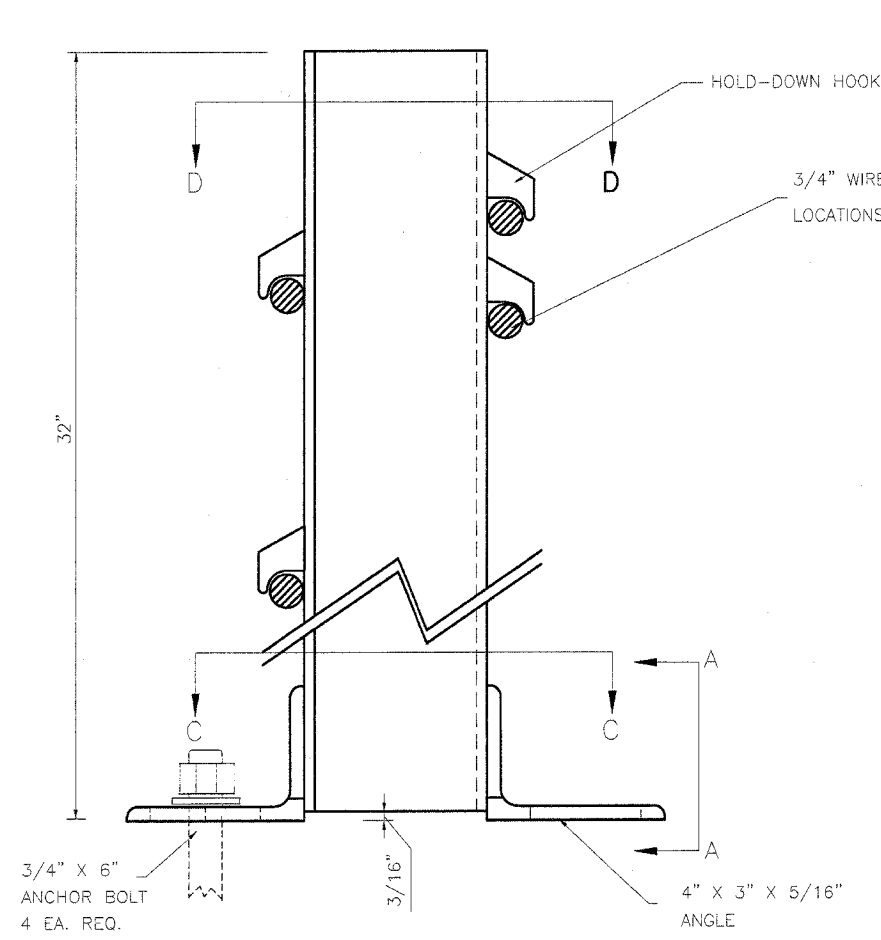
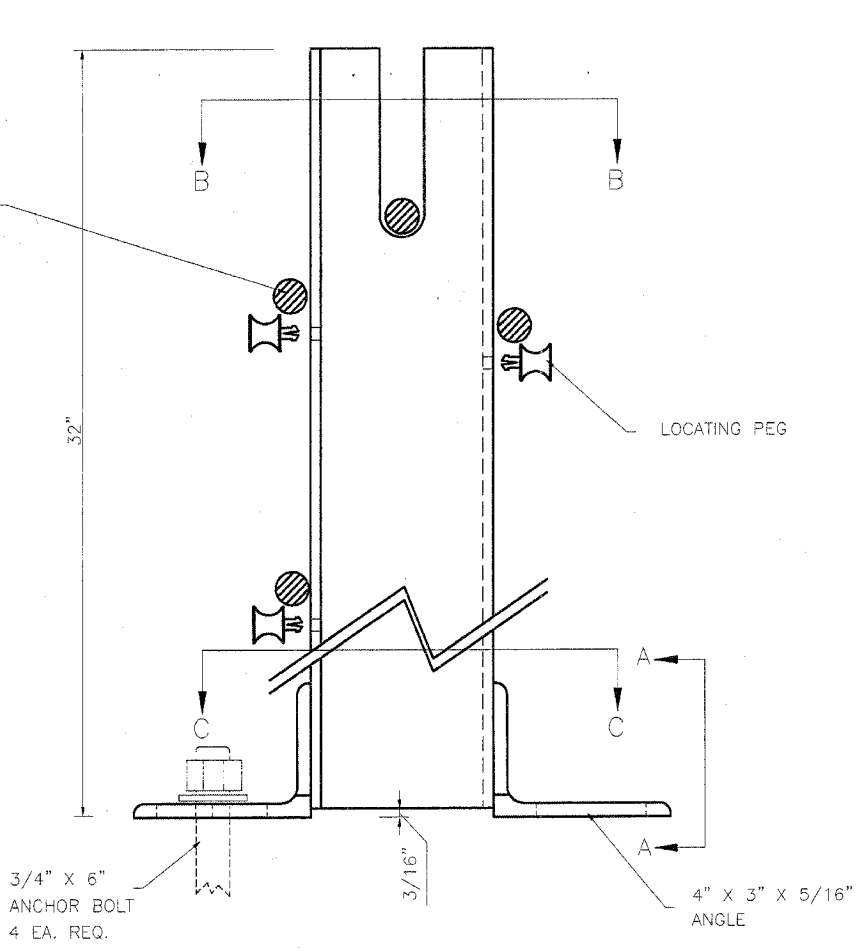


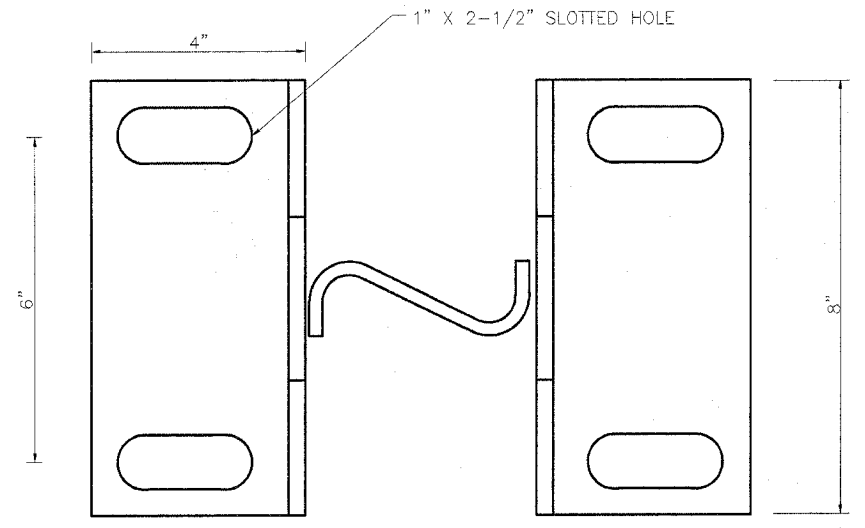
FBI	SECTION	COUNTY	TOTAL
RTE	2005-0381	COCKSMILL	SHEETS
ST	STA	STA	NO.
FED. ROAD DIST. NO.	FLANDERS	FED. AID PROJECT	54
CONTRACT NO. 60A09			



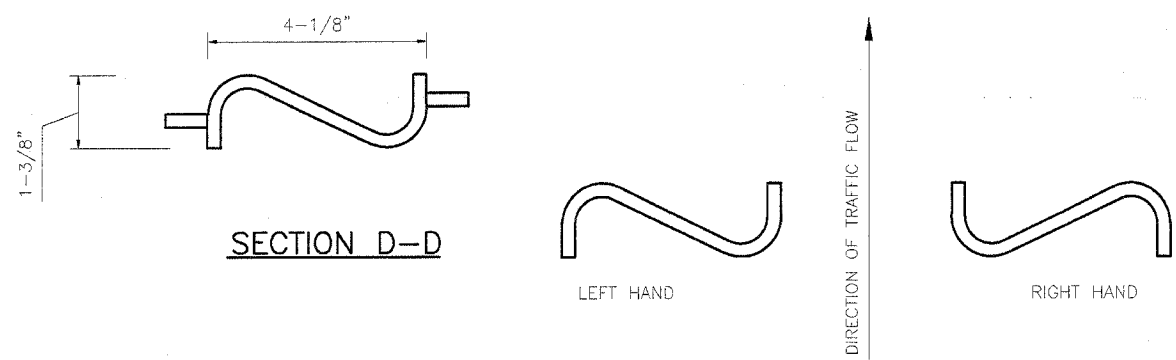
HOLD-DOWN SURFACE MOUNT POST
(LEFT-HAND SHOWN)



STANDARD SURFACE MOUNT POST
(LEFT-HAND SHOWN)



SECTION C-C

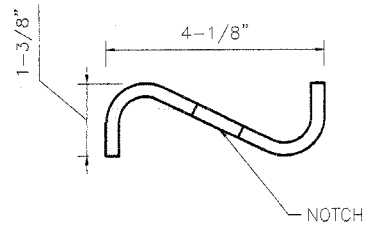


SECTION D-D

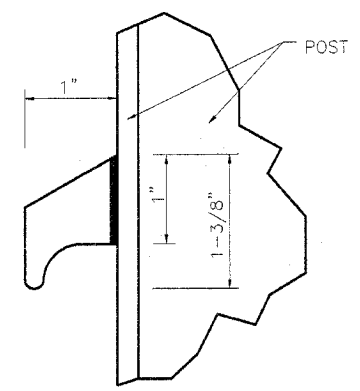
LEFT HAND

RIGHT HAND

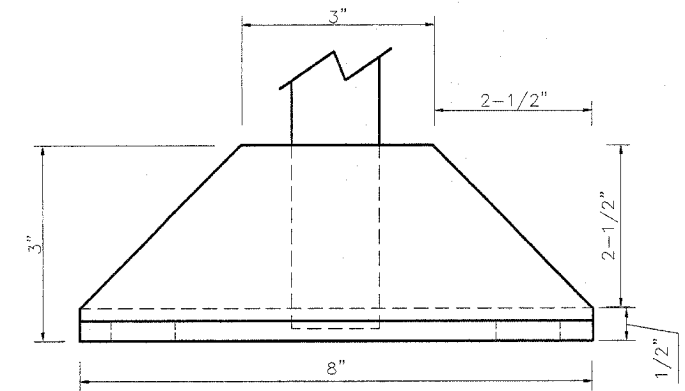
POST ORIENTATION



SECTION B-B



HOLD-DOWN HOOK



SECTION A-A

- NOTES:
- ANCHOR BOLTS SHALL BE B7, GALVANIZED ALL-THREAD, SET INTO SURFACE WITH AN APPROVED EPOXY PER MANUFACTURER'S RECOMMENDATIONS. EACH BOLT TO HAVE ONE ASTM-194 GALVANIZED HS HEX NUT AND ONE GALVANIZED HARD ROUND FLAT ASTM-F436 WASHER.
 - ROPE HEIGHTS PER BRIFEN USA DRAWING NO. 3, 4 OR 5 (TL-3 OR TL-4).
 - DETAILS SHOWN ARE FOR 4-ROPES TL-3 SYSTEM. SIMILAR DESIGN USED FOR 3-ROPES TL-3 AND FOR TL-4 SYSTEMS (ROPE HEIGHTS & POST SIZE VARY).

The information herein is proprietary to BRIFEN USA, and shall not be disclosed, duplicated or used otherwise without the express written consent of BRIFEN USA, Inc.

BRIFEN★USA INC.

Revisions			SURFACE MOUNT POSTS (4-ROPES, TL-3)		
No.	Date	By	Date	Drawn By	Scale
1.	6.21.05	MW	5.17.05	Manita Workman	None
2.	6.28.05	MW	VERSION 8.6		Sheet No.
3.	7.21.05	MW			
4.	8.01.05	MW	Dwg. No. WRSF-05-207a	7 OF 11	
5.	8.04.05	MW			