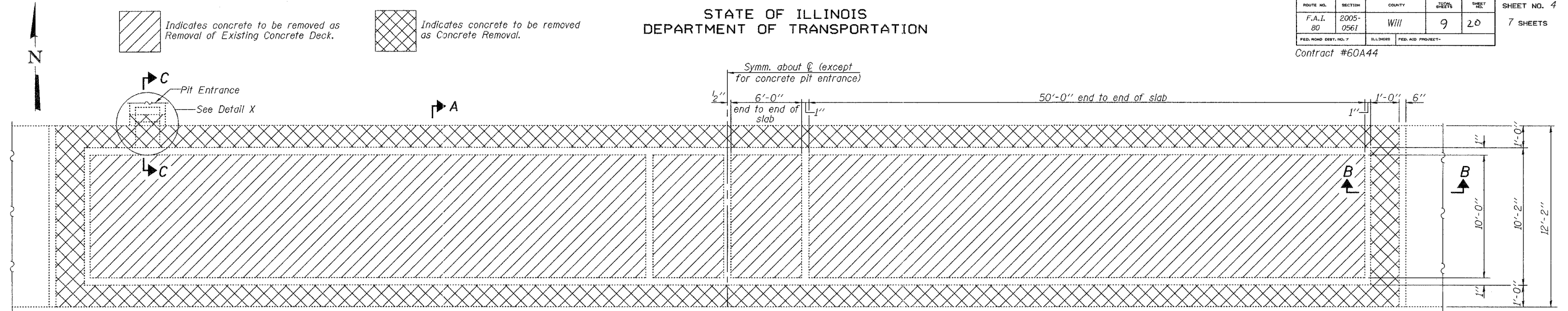


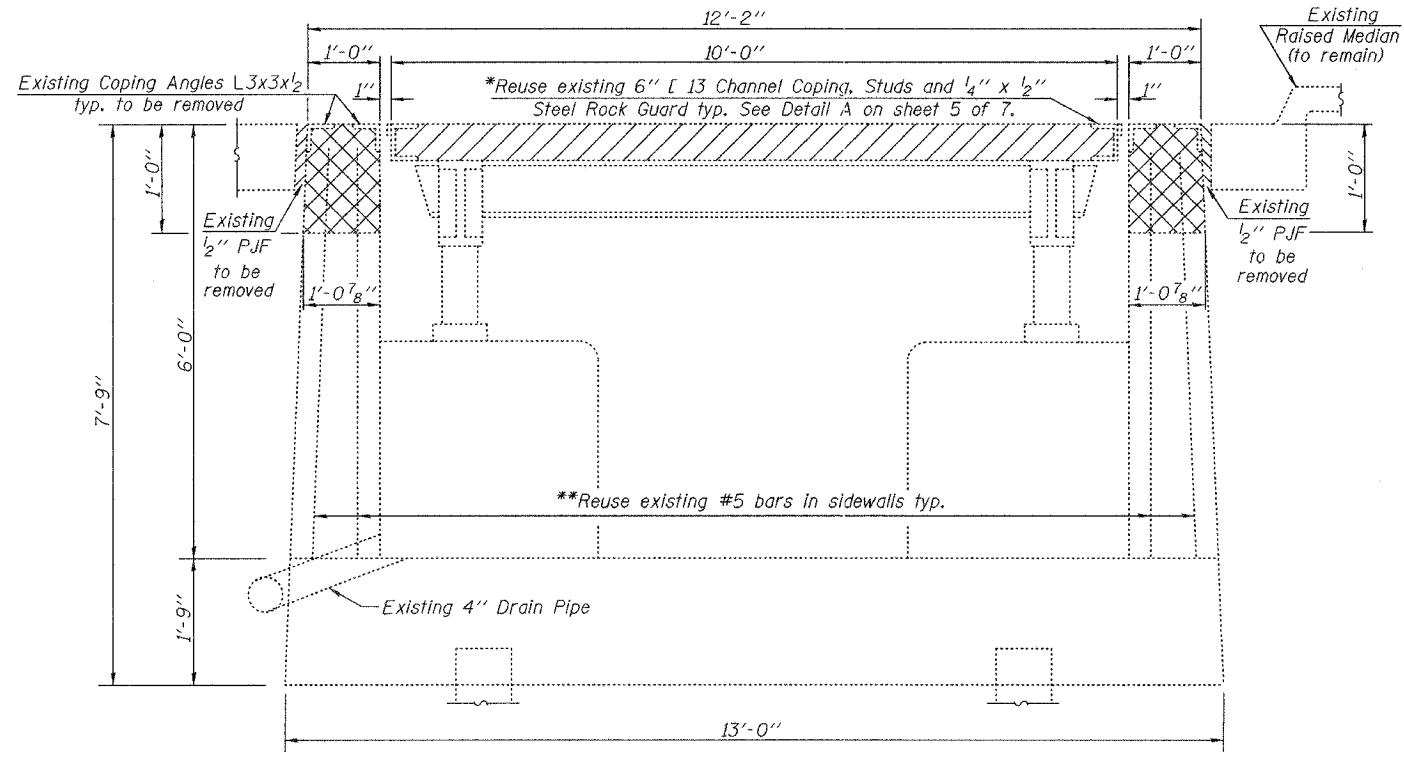
STATE OF ILLINOIS  
DEPARTMENT OF TRANSPORTATION

ROUTE NO.	SECTION	COUNTY	SHEETS	SHEET NO.	SHEET NO. 4
F.A.I. 80	2005-0561	Will	9	20	7 SHEETS
FED. ROAD DIST. NO. 7	ILL. INDS.	FED. AID PROJECT-			

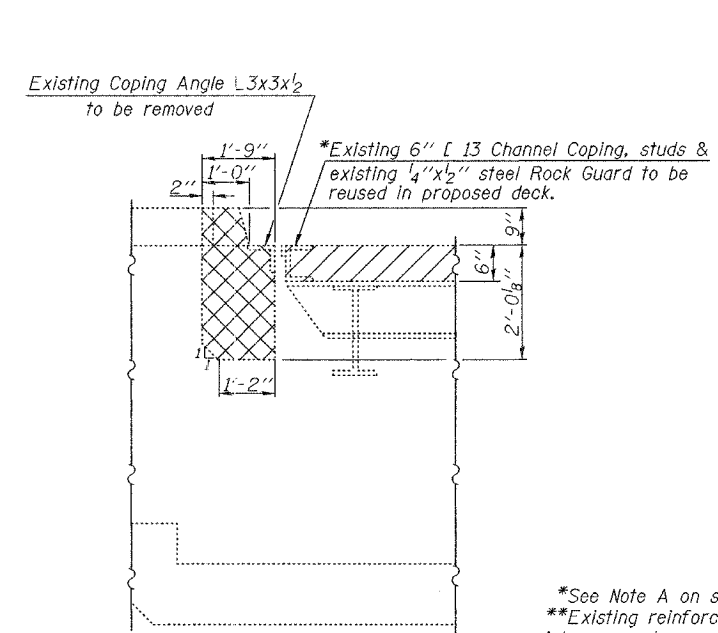
Contract #60A44



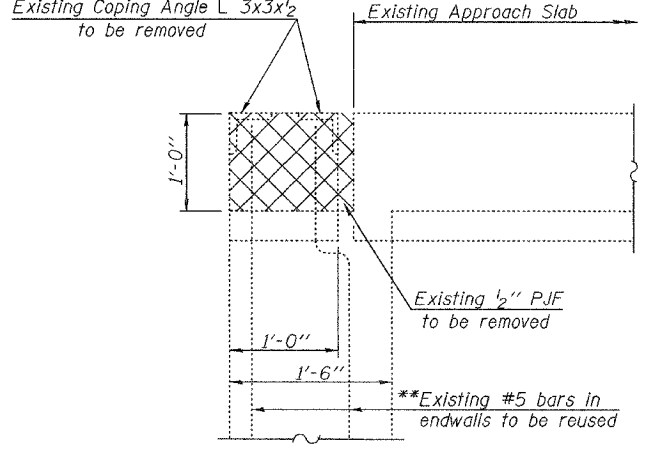
**PLAN**  
(Coping not shown)  
(W.B. shown & E.B. similar)



**SECTION A-A**



**SECTION C-C**



**SECTION B-B**

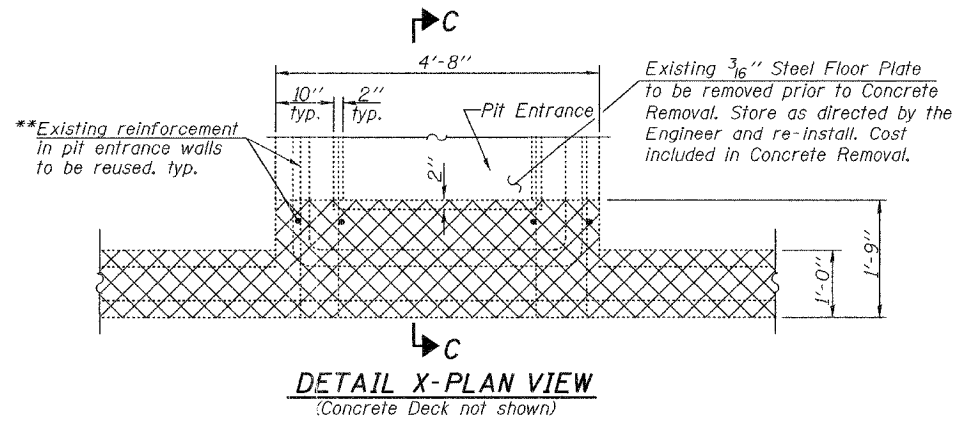
\*See Note A on sht. 5 of 7.  
\*\*Existing reinforcement extending into removed areas shall be cleaned, straightened and incorporated into the new construction. Cost included with Concrete Removal.

Note: Cost of removal of coping angles (L3x3x1/2) and P.J.F. included in Concrete Removal.

**BILL OF MATERIAL  
FOR BOTH W.B. & E.B.**

Item	Unit	Total
Concrete Removal	Cu. Yd.	20.1
Removal of Existing Concrete Deck	L. Sum	0.5

**CONCRETE REMOVAL DETAILS  
FRANKFORT WEIGH STATIONS  
F.A.I. ROUTE 80 SECTION 2005-0561  
WILL COUNTY  
STA. 1212+05.06 (W.B.) &  
STA. 989+44.94 (E.B.)**



**DETAIL X-PLAN VIEW**  
(Concrete Deck not shown)

DESIGNED	Stephen M. Ryan
CHECKED	Phillip R. Litchfield
DRAWN	R. Sommer
CHECKED	SMR/PRL/SEM

January 20 2006  
EXAMINED *Thomas J. Domagalaki*  
PASSED *Ralph E. Anderson*  
ENGINEER OF BRIDGES AND STRUCTURES