

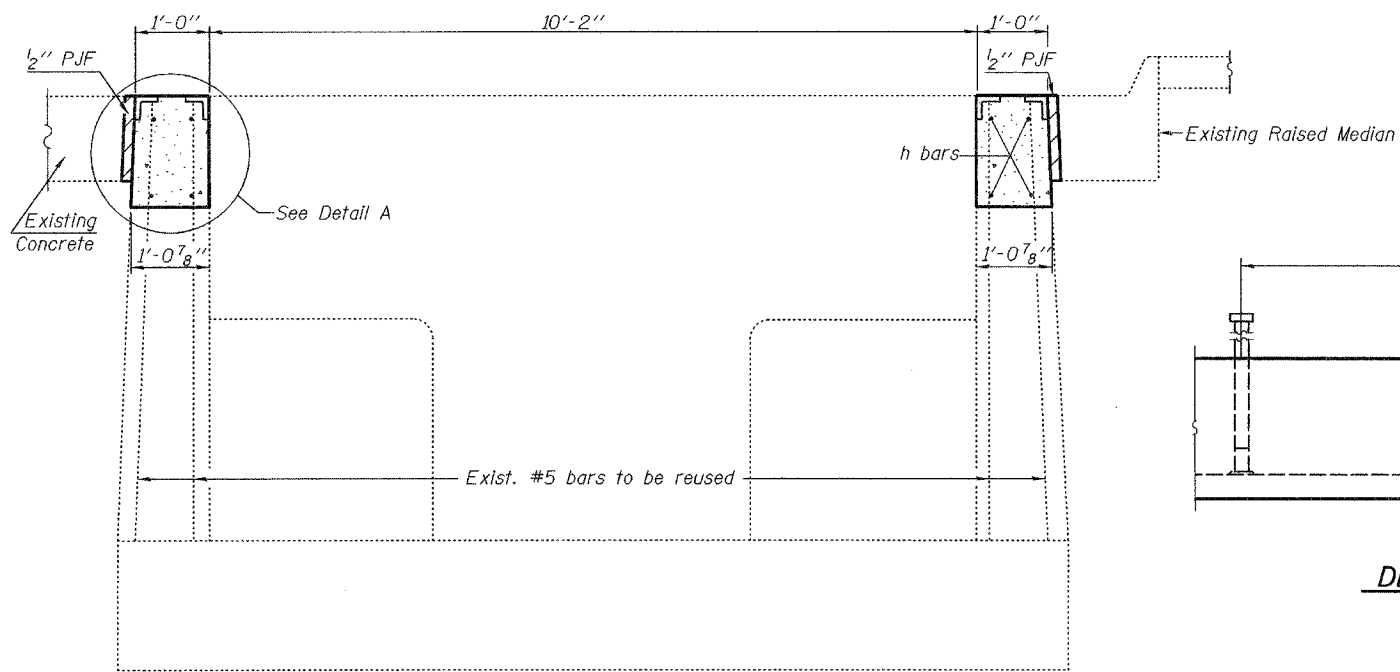
STATE OF ILLINOIS  
DEPARTMENT OF TRANSPORTATION

ROUTE NO.	SECTION	COUNTY	TOTAL SHEETS	SHEET NO.
F.A.I. 80	2005-0561	Will	12	20
FED. ROAD DIST. NO. 7	ILLINOIS	FED. AID PROJECT-		

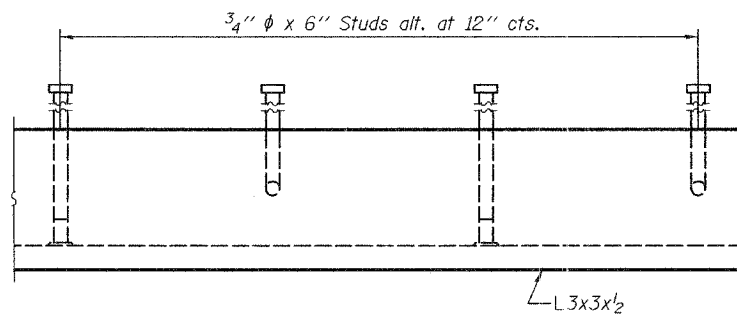
SHEET NO. 7

7 SHEETS

Contract #60A44

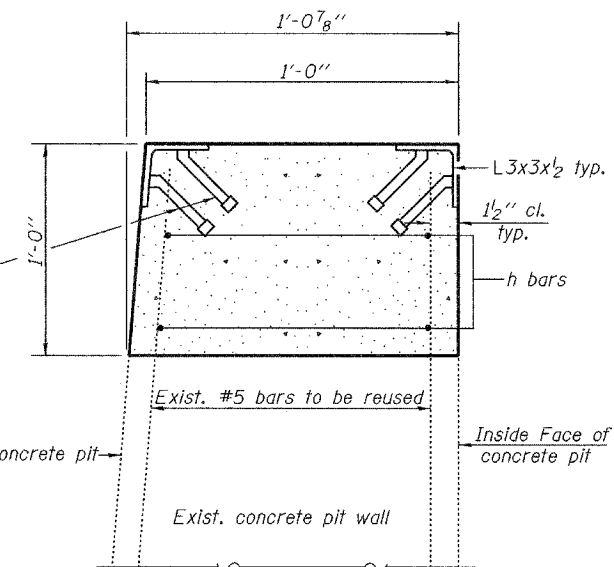


**SECTION D-D**  
(Thru Endwalls)



**DETAIL OF ANGLE COPING**

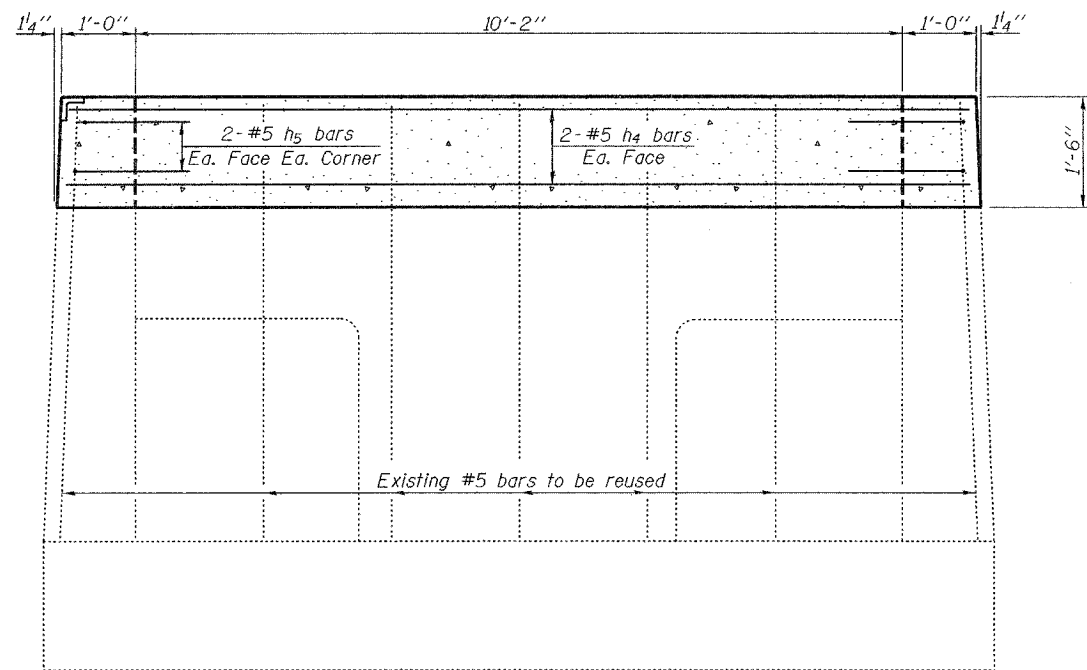
3/4"  $\phi$  x 6" Granular or solid flux filled headed studs conforming to Article 1006.32 of the Standard Specifications, automatically end welded to angle. See Detail of Angle Coping for spacing. (No. Required = 495)



**DETAIL A**

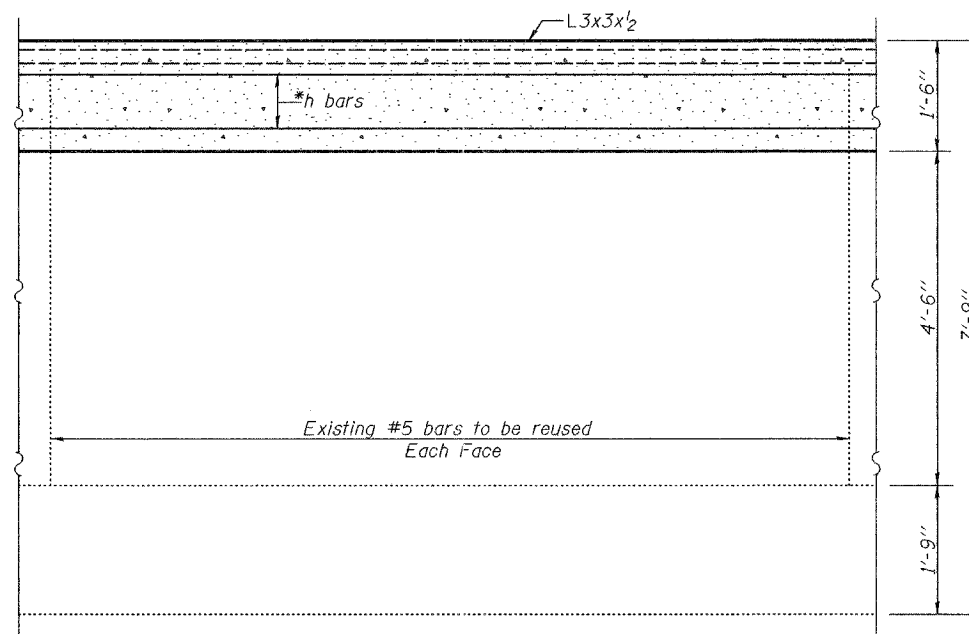
(Side walls shown, End walls similar.)

After welding, angles and studs shall be galvanized according to AASHTO M111. No field painting required. Angle coping and studs paid for as Furnishing and Erecting Structural Steel. (495'-8" length of Angle Coping required)

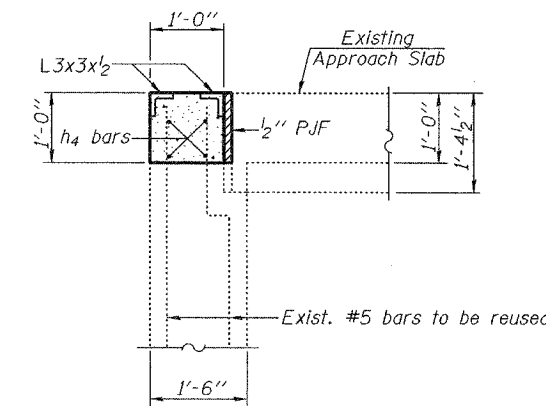


**SECTION E-E**  
(Thru Endwalls)

(Existing concrete outside pit not shown)  
(Coping angle L3x3x1/2 and approach slab not shown)



**SECTION F-F**  
(Thru Sidewalls)



**SECTION G-G**

Showing Approach Slab, Concrete Pit and Coping angles. Concrete Deck, Scale Components, Structural Steel and studs not shown.

\*Cut h bar reinforcement in the wall at pit entrance.

DESIGNED	Stephen M. Ryan
CHECKED	Phillip R. Litchfield
DRAWN	R. Sommer
CHECKED	SMR/PRL/SEM

EXAMINED	Thomas J. Domagalaki	January 20, 2006
PASSED	Ralph E. Anderson	

**CONCRETE PIT DETAILS**  
**FRANKFORT WEIGH STATIONS**  
**F.A.I. ROUTE 80 SECTION 2005-0561**  
**WILL COUNTY**  
**STA. 1212+05.06 (W.B.) &**  
**STA. 989+44.94 (E.B.)**