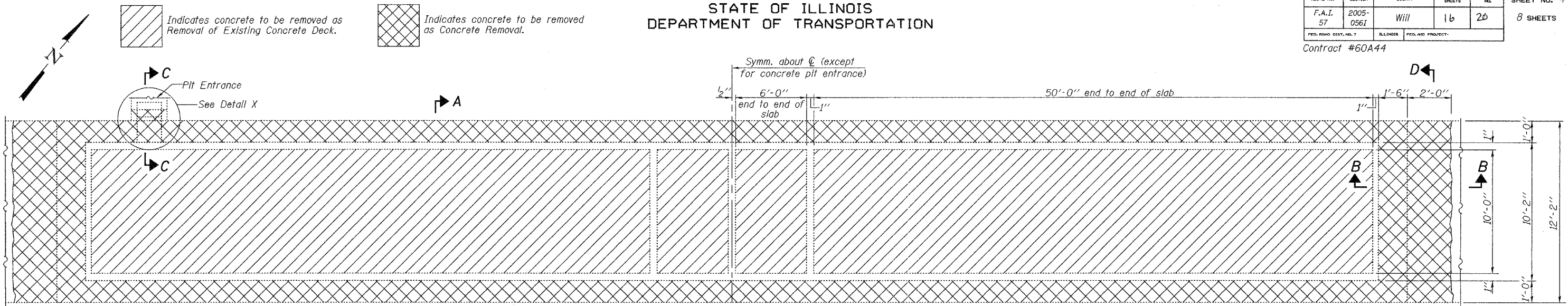


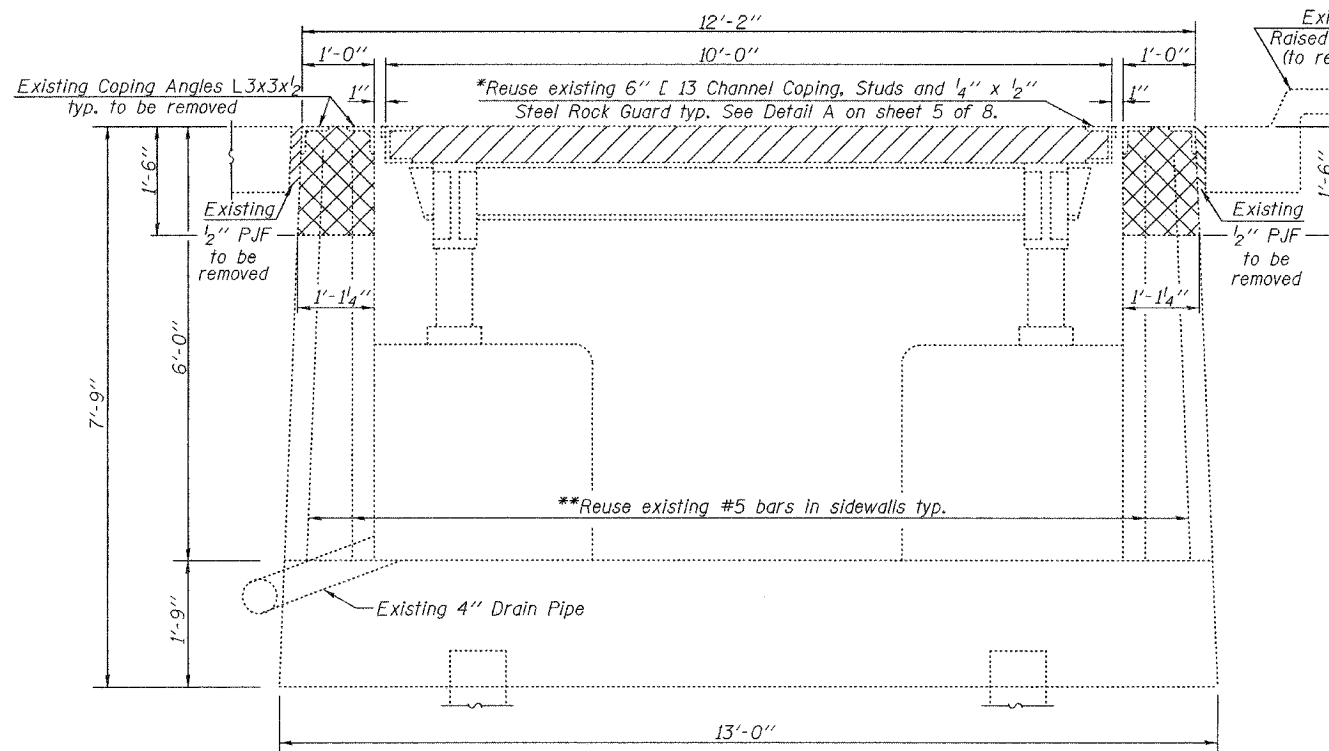
STATE OF ILLINOIS
DEPARTMENT OF TRANSPORTATION

ROUTE NO.	SECTION	COUNTY	SHEETS	SHEET NO.	SHEET NO. 4
F.A.I. 57	2005-0561	Will	16	26	8 SHEETS
FED. ROAD DIST. NO. 7	ILLINOIS	FED. AID PROJECT			

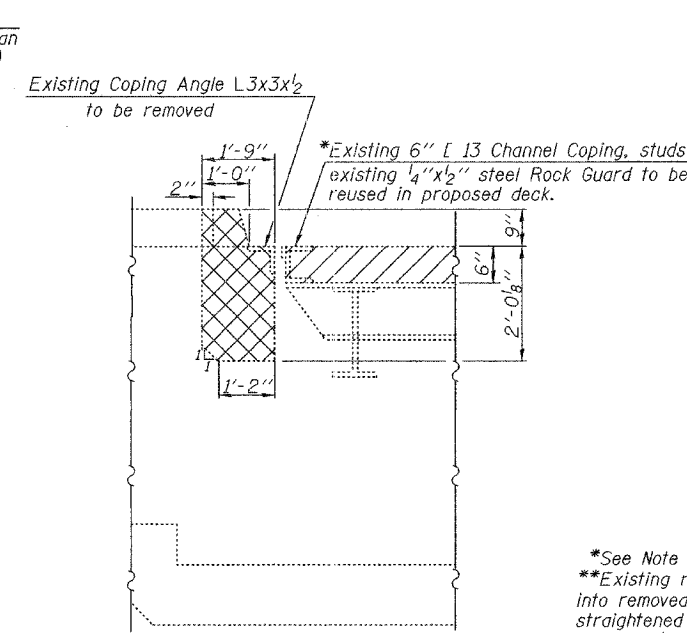
Contract #60A44



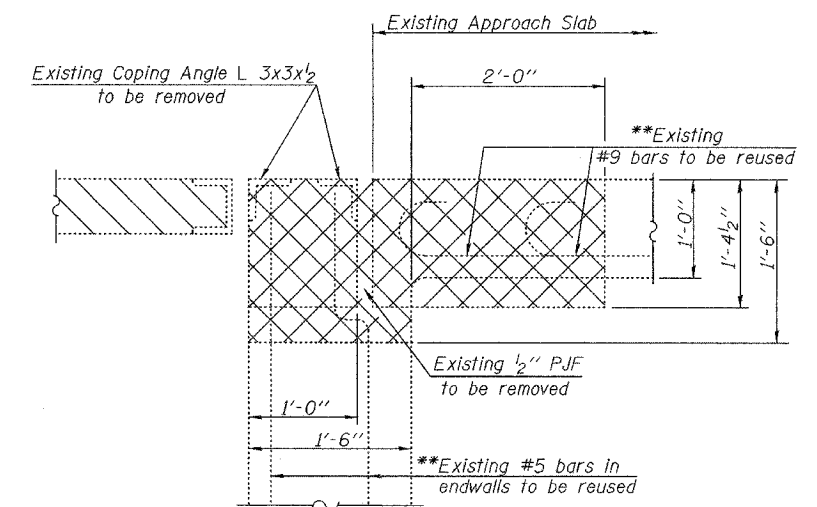
PLAN
(Coping not shown)
(S.B. shown & N.B. similar)



SECTION A-A



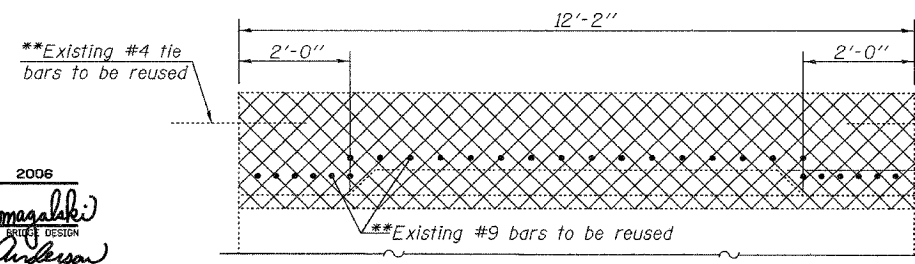
SECTION C-C



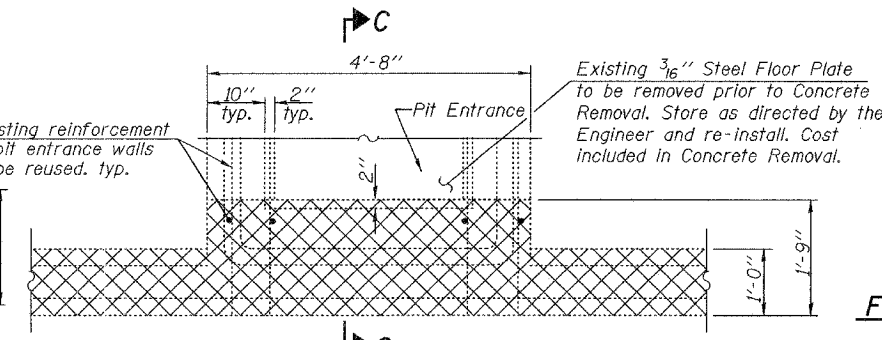
SECTION B-B

*See Note A on sht. 5 of 8.
**Existing reinforcement extending into removed areas shall be cleaned, straightened and incorporated into the new construction. Cost included with Concrete Removal.

Note: Cost of removal of coping angles (L3x3x1/2) and P/JF included in Concrete Removal.



SECTION D-D
(Thru existing approach slab)



DETAIL X-PLAN VIEW
(Concrete Deck not shown)

**BILL OF MATERIAL
FOR BOTH N.B. & S.B.**

Item	Unit	Total
Concrete Removal	Cu. Yd.	35.2
Removal of Existing Concrete Deck	L. Sum	0.5

**CONCRETE REMOVAL DETAILS
PEOTONE WEIGH STATIONS
F.A.I. ROUTE 57 SECTION 2005-0561
WILL COUNTY
STA. 1091+65.06 (S.B.) &
STA. 1073+09.94 (N.B.)**

DESIGNED	Stephen M. Ryan
CHECKED	Phillip R. Litchfield
DRAWN	R. Sommer
CHECKED	SMR/PRL/SEM

January 20, 2006
EXAMINED *Thomas J. Demagala*
PASSED *Ralph E. Anderson*
ENGINEER OF BRIDGES AND STRUCTURES