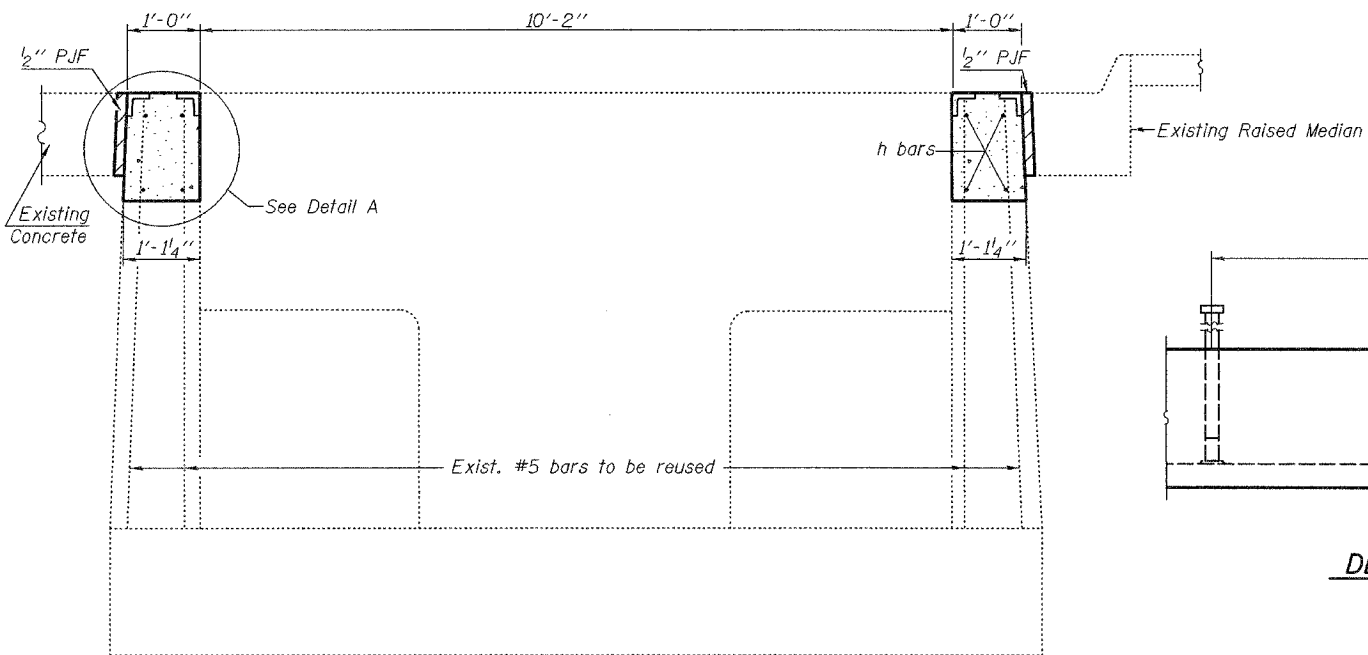


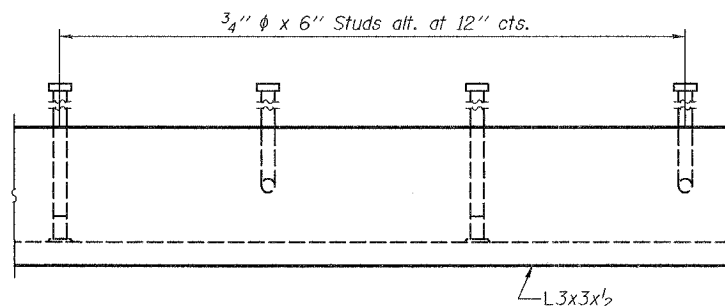
STATE OF ILLINOIS  
DEPARTMENT OF TRANSPORTATION

ROUTE NO.	SECTION	COUNTY	SHEETS	SHEET	SHEET NO. 7
F.A.I. 57	2005-0561	Will	19	20	8 SHEETS
FED. ROAD DIST. NO. 7	ILLINOIS	FED. AID PROJECT			

Contract #60A44

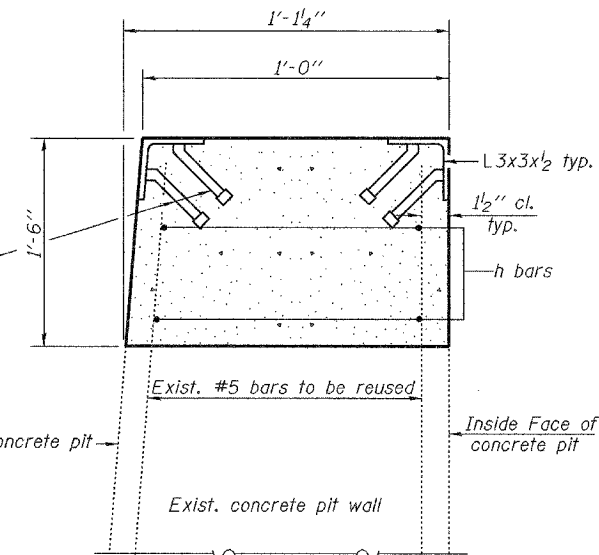


**SECTION D-D**  
(Thru Endwalls)



**DETAIL OF ANGLE COPING**

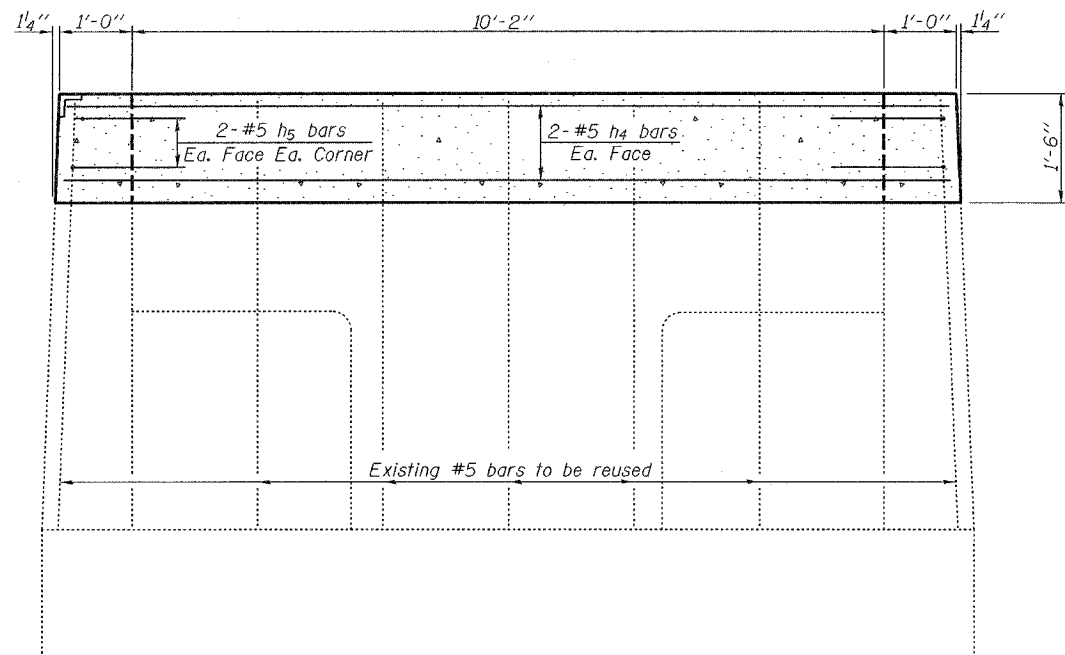
3/4" φ x 6" Granular or solid flux filled headed studs conforming to Article 1006.32 of the Standard Specifications, automatically end welded to angle. See Detail of Angle Coping for spacing. (No. Required = 495)



**DETAIL A**

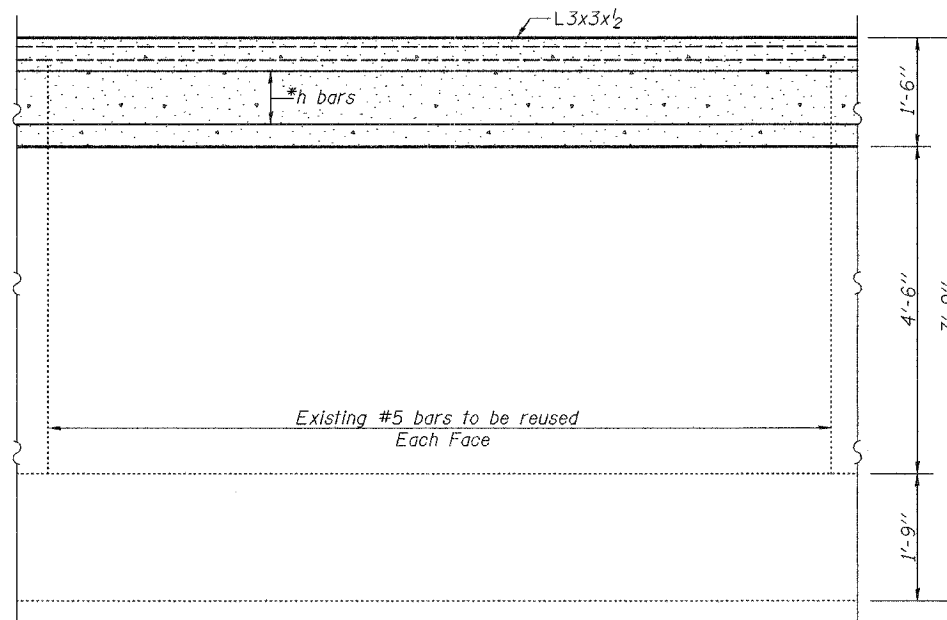
(Side walls shown, End walls similar.)

After welding, angles and studs shall be galvanized according to AASHTO M11. No field painting required. Angle coping and studs paid for as Furnishing and Erecting Structural Steel. (495'-8" length of Angle Coping required)



**SECTION E-E**

(Thru Endwalls)  
(Existing concrete outside pit not shown)  
(Coping angle L3x3x1/2 not shown)



**SECTION F-F**

(Thru Sidewalls)

\*Cut h bar reinforcement in the wall at pit entrance.

DESIGNED	Stephen M. Ryan
CHECKED	Phillip R. Litchfield
DRAWN	R. Sommer
CHECKED	SMR/PRL/SEM

EXAMINED	Thomas J. Damagalki	January 20, 2006
PASSED	Ralph E. Anderson	

**CONCRETE PIT DETAILS**  
**PEOTONE WEIGH STATIONS**  
**F.A.I. ROUTE 57 SECTION 2005-0561**  
**WILL COUNTY**  
**STA. 1091+65.06 (S.B.) &**  
**STA. 1073+09.94 (N.B.)**