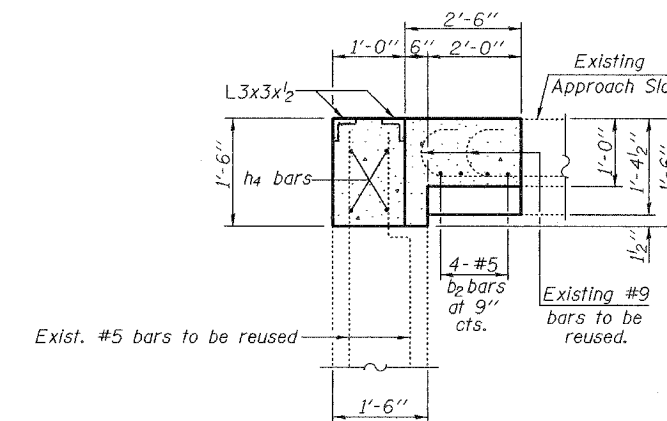


STATE OF ILLINOIS
DEPARTMENT OF TRANSPORTATION

ROUTE NO.	SECTION	COUNTY	TOTAL SHEETS	SHEET NO.
F.A.I. 57	2005-0561	Will	20	20
FED. AID DIST. NO. 7	ILLINOIS	FED. AID PROJECT		

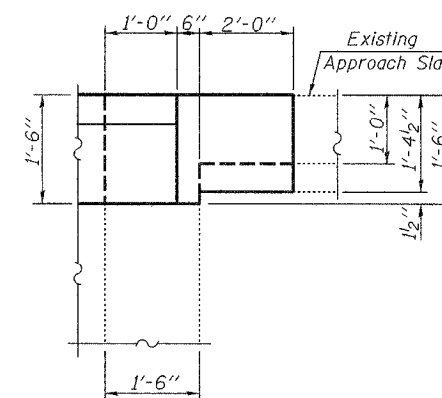
Contract #60A44

SHEET NO. 8
8 SHEETS



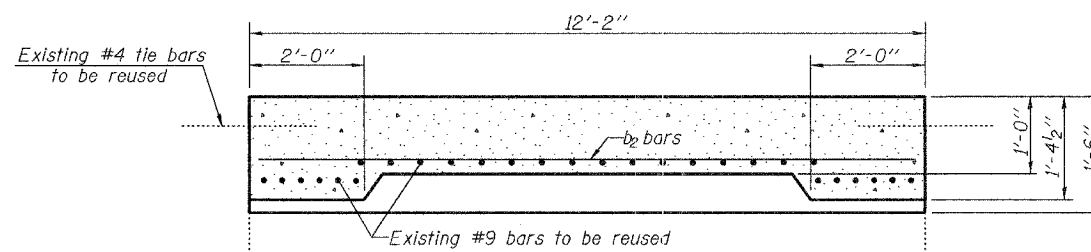
SECTION G-G

Showing Approach Slab, Concrete Pit and Coping angles. Concrete Deck, Scale Components, Structural Steel and studs not shown.



VIEW H-H

Showing Approach Slab, Concrete Pit and Coping Angle. Concrete Deck, Scale Components and Structural Steel not shown.



SECTION I-I

DESIGNED	Stephen M. Ryan
CHECKED	Phillip R. Litchfield
DRAWN	R. Sommer
CHECKED	SMR/PRL/SEM

January 20, 2006
EXAMINED *Thomas J. Demagalaki*
PASSED *Ralph E. Anderson*
ENGINEER OF BRIDGES AND STRUCTURES

CONCRETE PIT DETAILS
PEOTONE WEIGH STATIONS
F.A.I. ROUTE 57 SECTION 2005-0561
WILL COUNTY
STA. 1091+65.06 (S.B.) &
STA. 1073+09.94 (N.B.)