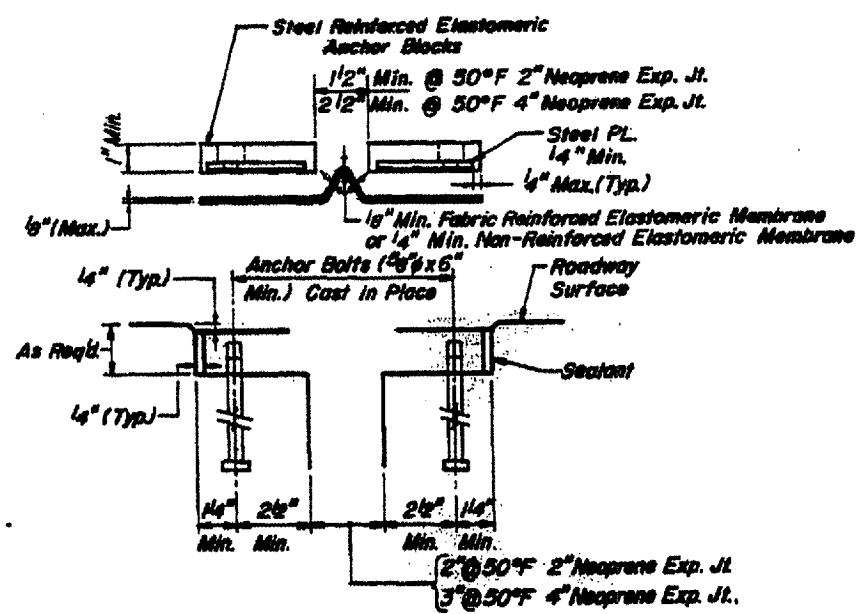


ROUTE	SECTION	COUNTY	TOTAL SHEETS	SHEET NUMBER
FAP 383	2005-028 I	COOK	16	7

CONTRACT 62965

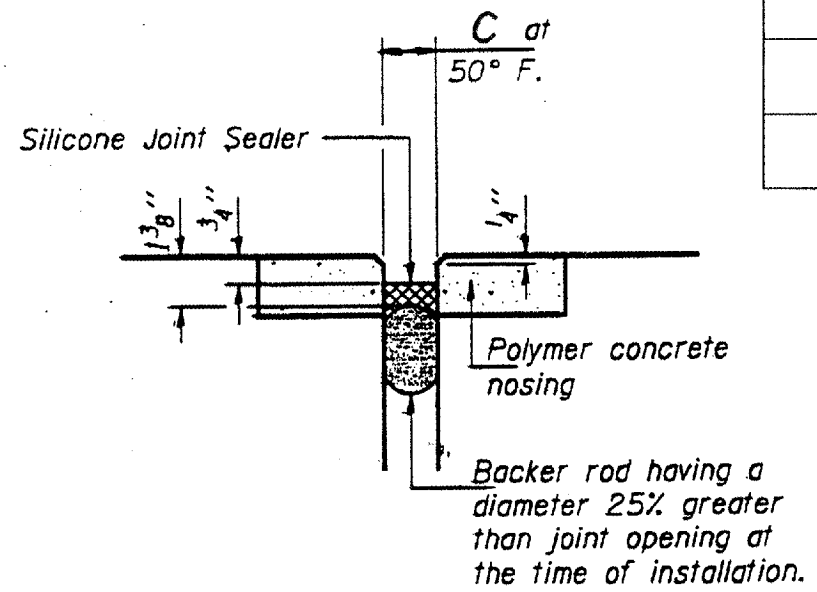


EXISTING

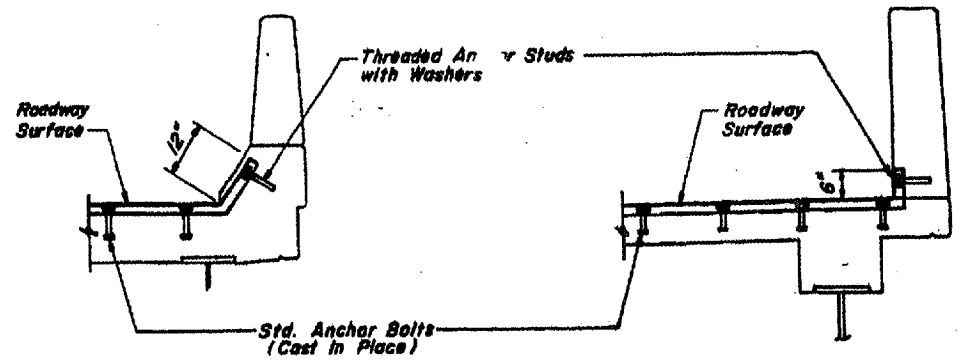
TOTAL BILL OF MATERIAL

ITEM	UNIT	QUANTITY
SILICONE JOINT SEALER, 2"	FOOT	101
SILICONE JOINT SEALER, 3"	FOOT	202
POLYMER CONCRETE	CU FT	25.3

LOCATION	C @ 50°F
E. PIER	3"
PIER #13	3"
E. ABUT	2"



PROPOSED

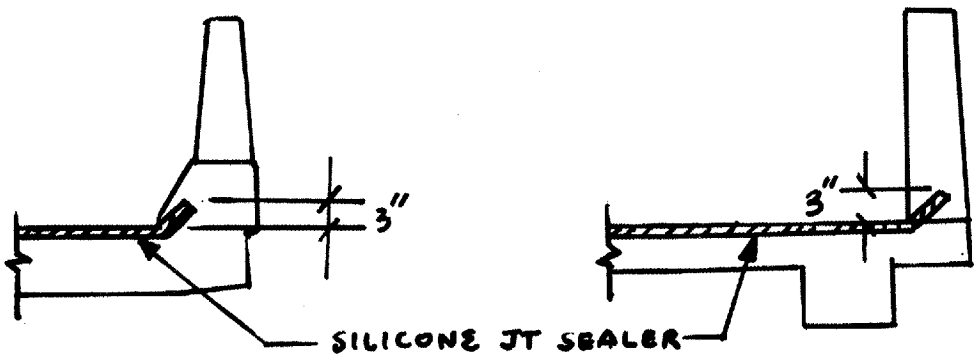


AT PARAPET

AT SIDEWALK PARAPET

NEOPRENE EXPANSION JOINT DETAILS
(AT EAST PIER, PIER 13 AND EAST ABUTMENT)

SEE PLAN @ E. PIER ON SHEET 6



SILICONE JT SEALER

ILLINOIS DEPARTMENT OF TRANSPORTATION
LOC 2 (SN 016-1053)
OHIO ST EAST APPROACH
JOINT REPAIR DETAILS