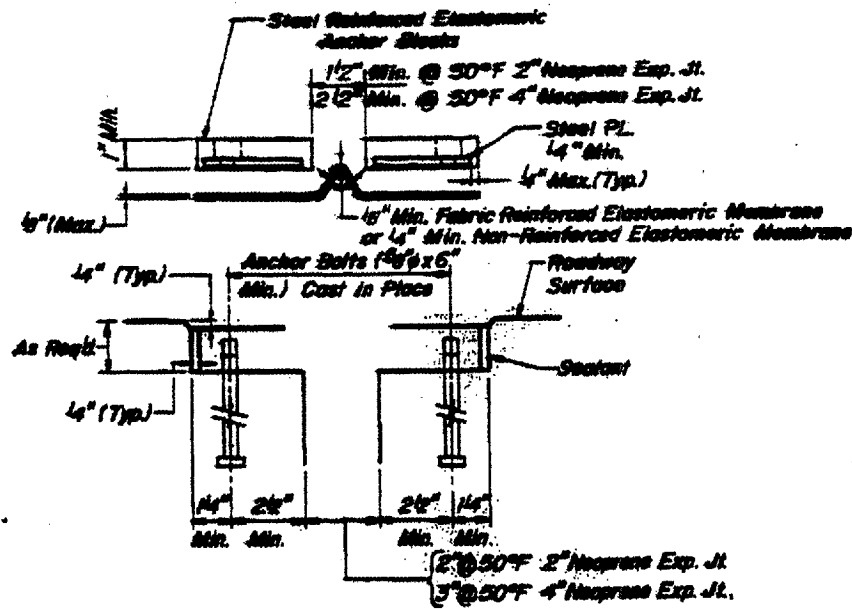


ROUTE	SECTION	COUNTY	TOTAL SHEETS	SHEET NUMBER
FAP 383	2005-028 I	COOK	16	10

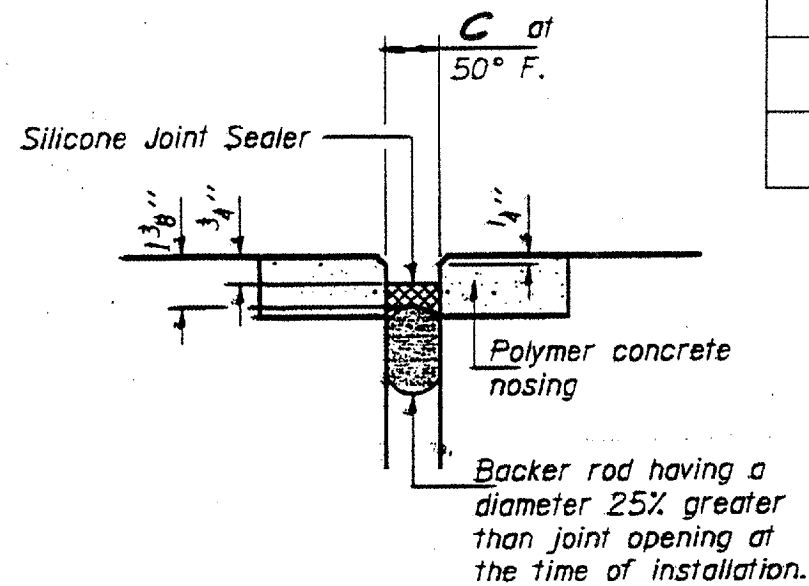
CONTRACT 62965  
Sheet 1 of 3



**EXISTING**

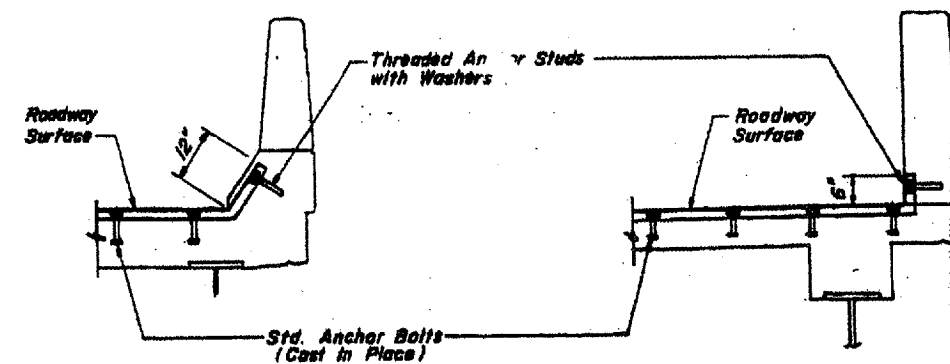
TOTAL BILL OF MATERIAL

ITEM	UNIT	QUANTITY
SILICONE JOINT SEALER, 2"	FOOT	111
SILICONE JOINT SEALER, 3"	FOOT	222
POLYMER CONCRETE	CU FT	27.4



**PROPOSED**

LOCATION	C @ 50°F
W. PIER	3"
PIER # 4	3"
W. ABUT	2"

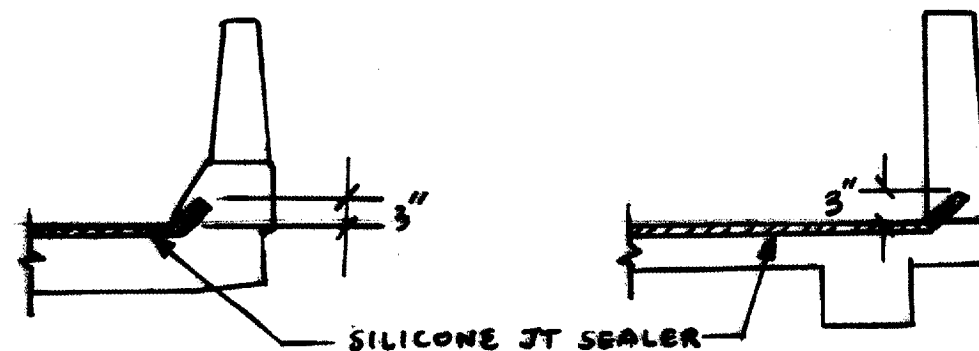


**AT PARAPET**

**AT SIDEWALK PARAPET**

**NEOPRENE EXPANSION JOINT DETAILS  
(AT WEST PIER, PIER 4 AND WEST ABUTMENT)**

SEE PLAN @ W. PIER ON SHEET 6



SILICONE JT SEALER

ILLINOIS DEPARTMENT OF TRANSPORTATION  
LOC 3 (SN 016-0161)  
OHIO ST EAST APPROACH  
JOINT REPAIR DETAILS