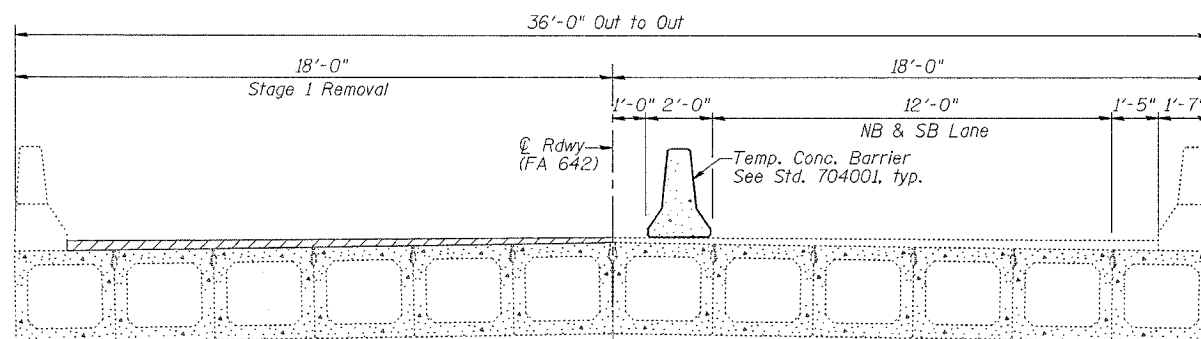


STATE OF ILLINOIS  
DEPARTMENT OF TRANSPORTATION

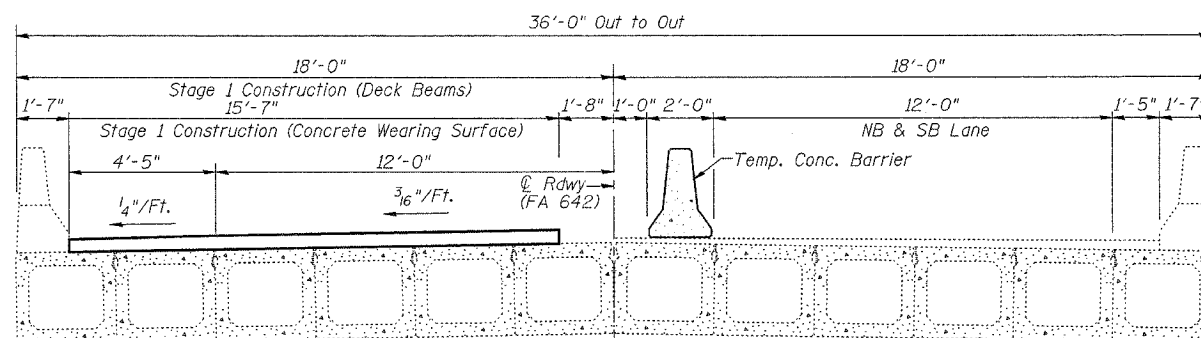
ROUTE NO.	SECTION	COUNTY	SHEET NO.	SHEET NO.
78	10BR-3D & 11BR-8	JO DAVIESS	45	20
FED. ROAD DIST. NO. 7		TALSMEN	FED. AID PROJECT-	

Contract # 64B27

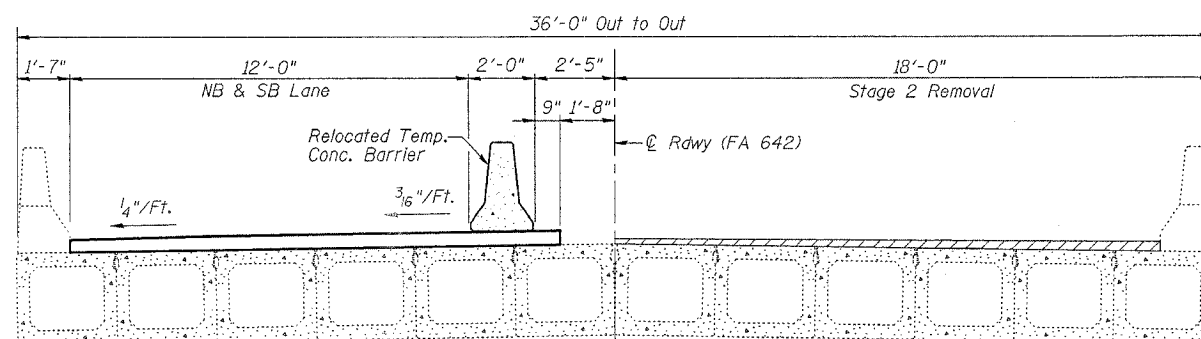
SHEET NO. 2  
9 SHEETS



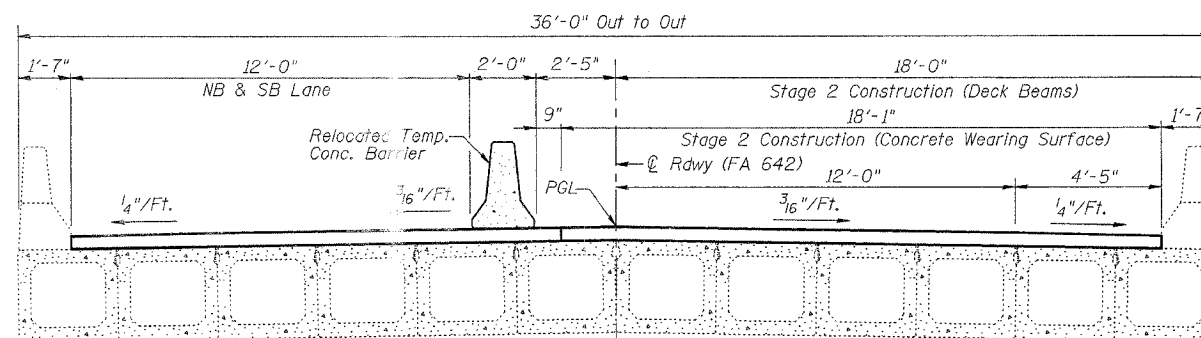
STAGE 1 REMOVAL



STAGE 1 CONSTRUCTION



STAGE 2 REMOVAL



STAGE 2 CONSTRUCTION

GENERAL NOTES

Reinforcement bars shall conform to the requirements of AASHTO M 31 or M 322 Grade 60.

Plan dimensions and details relative to existing structure have been taken from existing plans and are subject to nominal construction variations. It shall be the Contractor's responsibility to verify such dimensions and details in the field and make necessary approved adjustments prior to construction or ordering of materials. Such variations shall not be cause for additional compensation for a change in the scope of the work, however, the Contractor will be paid for the quantity actually furnished at the unit price for the work.

All construction joint shall be bonded.

The minimum thickness of the Concrete overlay shall be 5" and varies as required to adjust for the new profile grade and beam camber.

No instream work will be allowed on this project.

The contractor is advised that the existing PPC Deck Beams are in a deteriorated condition with reduced load carrying capacity. It is the contractor's responsibility to account for the condition of the beams when developing construction procedures.

If the contractor's procedure involves placement of cranes or other heavy equipment on existing superstructure, detailed procedure shall be submitted to the Engineer for approval.

CONSTRUCTION STAGING

1. Hatched area indicate removal of existing bituminous surface.
2. See Roadway plans for quantity of Temporary Concrete Barriers.
3. All sections taken looking North.

CONSTRUCTION STAGING

IL. RTE. 78 OVER  
PLUM RIVER  
F.A. 642 SECTION (10BR-3)D & 11BR-8  
JO DAVIESS COUNTY  
STA. 318+36.71  
STRUCTURE NUMBER 043-0040

DESIGNED	JPM
CHECKED	EMM
DRAWN	JPM
CHECKED	EMM

EXAMINED	200
PASSED	

ENGINEER OF BRIDGE DESIGN  
ENGINEER OF BRIDGES AND STRUCTURES