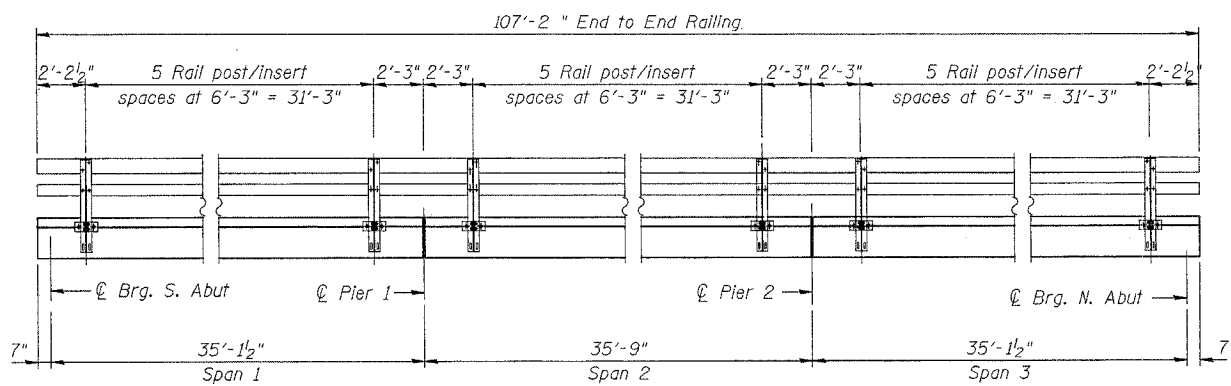


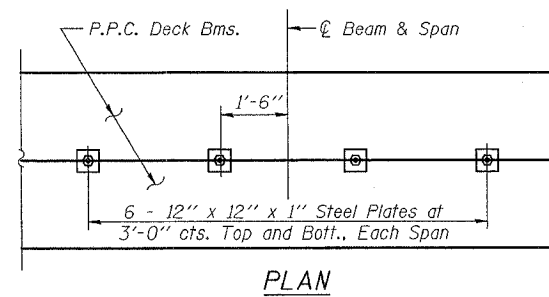
STATE OF ILLINOIS
DEPARTMENT OF TRANSPORTATION

ROUTE NO.	SECTION	COUNTY	TOTAL SHEETS	SHEET NO.	SHEET NO. 4 12 SHEETS
78	10BR-3D & 11BR-8	JO DAVIESS	45	31	
FED. ROAD DIST. NO. 7	ILLINOIS		FED. AID PROJECT		

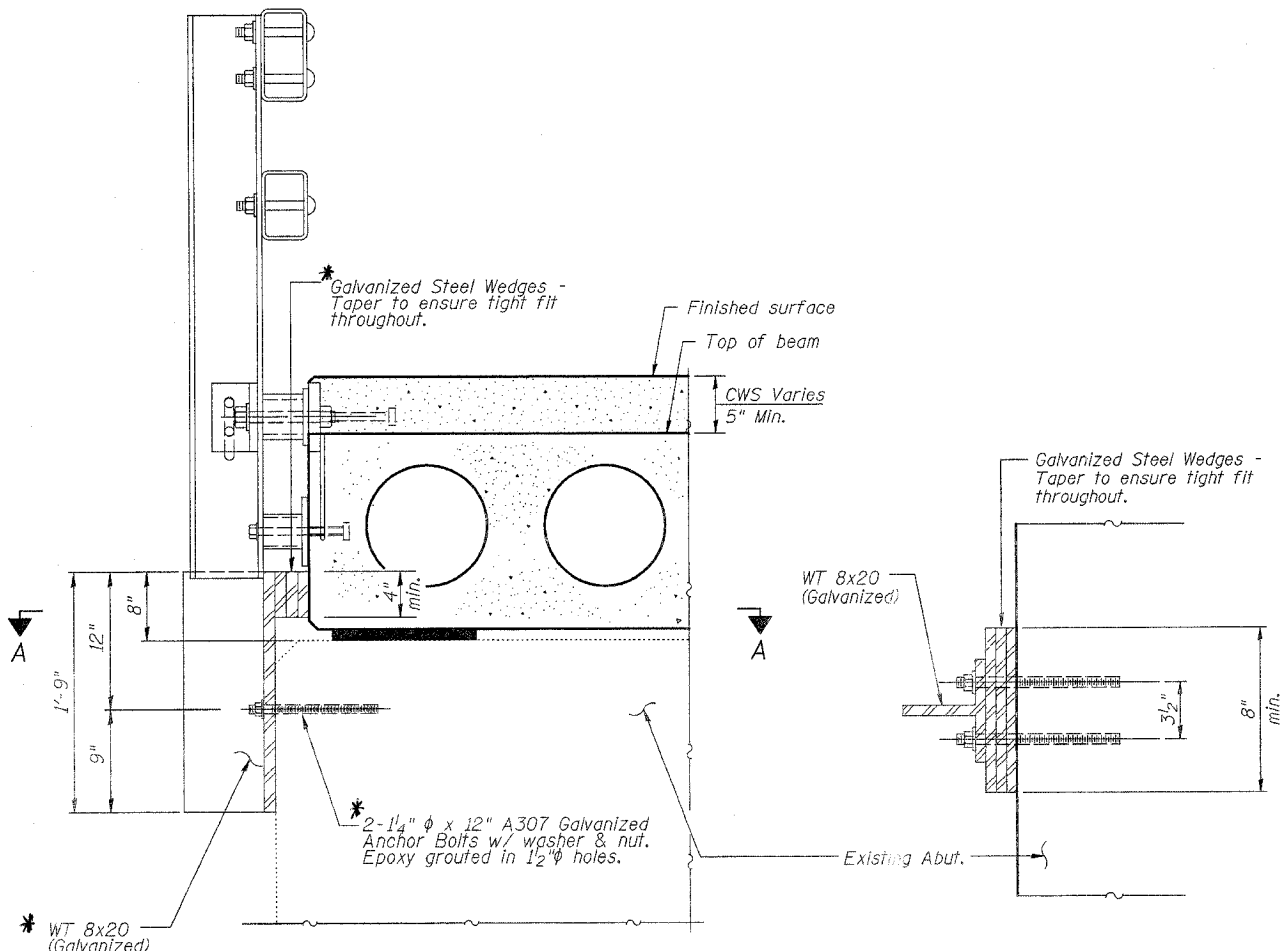
Contract # 64B27



RAIL POST SPACING

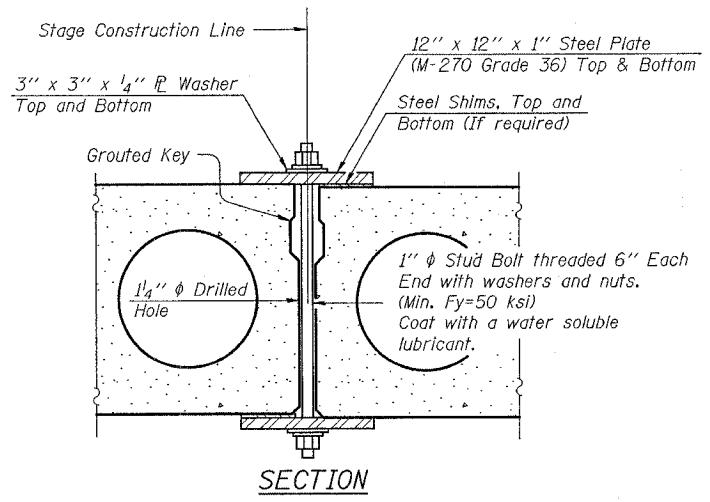


PLAN

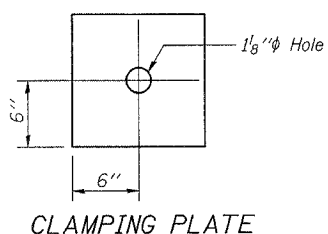


SIDE RETAINER AT SOUTH ABUTMENT

SECTION A-A



SECTION



CLAMPING PLATE

SHEAR KEY CLAMPING DETAILS AT STAGE CONST. JT.

See Special Provisions for Stage Construction of Precast Prestressed Concrete Deck Beams. Cost included with "Precast Prestressed Concrete Deck Beams". See Stage Construction Details for traffic lanes on Sheet 2 of 12

SUPERSTRUCTURE DETAILS - 1

IL. RTE. 78 OVER
DAVIS CREEK
F.A. 642 SECTION (10BR-3D & 11BR-8)
JO DAVIESS COUNTY
STA. 20+75.37
STRUCTURE NUMBER 043-0042

DESIGNED	COM
CHECKED	EMM
DRAWN	COM
CHECKED	EMM

EXAMINED	200
PASSED	ENGINEER OF BRIDGE DESIGN
	ENGINEER OF BRIDGES AND STRUCTURES

* AFTER THE BLOCK-OUTS ARE POURED AND CURED THE RETAINER AND SHIMS SHALL BE REMOVED. ANCHOR BOLTS SHALL BE CUT, GRIND SMOOTH AND SEALED WITH EPOXY.

12/21/2005 10:54:42 AM K:\projects\110110\110110.DWG JO DAVIESS COUNTY SUPERSTRUCTURE DETAILS