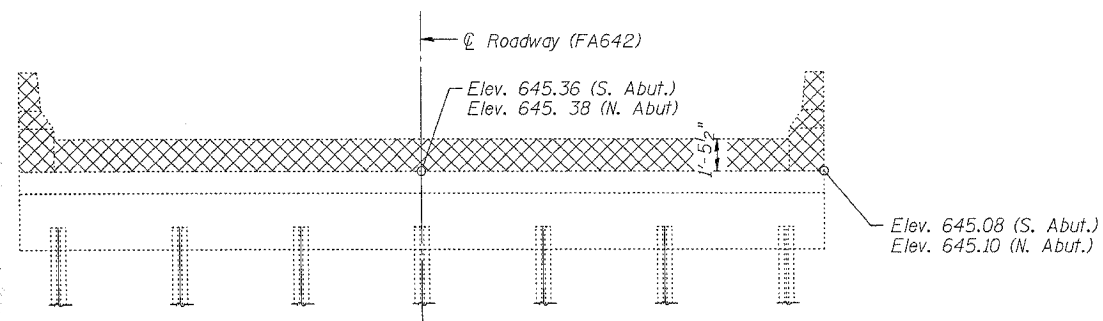


STATE OF ILLINOIS
DEPARTMENT OF TRANSPORTATION

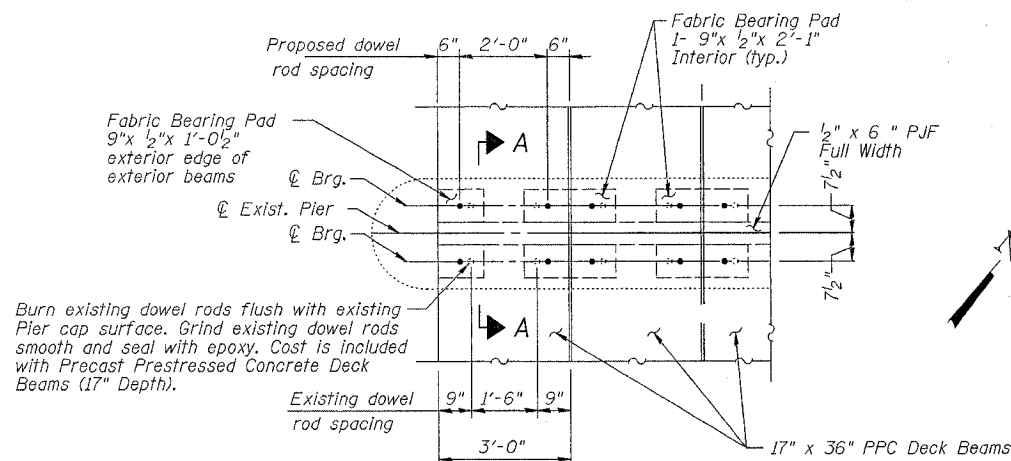
ROUTE NO.	SECTION	COUNTY	TOTAL SHEETS	SHEET NO.
78	10BR-3D & 11BR-8	JO DAVIESS	45	36
FED. ROAD DIST. NO. 7	ILLINOIS		FED. AID PROJECT	

SHEET NO. 9
12 SHEETS

Contract # 64B27

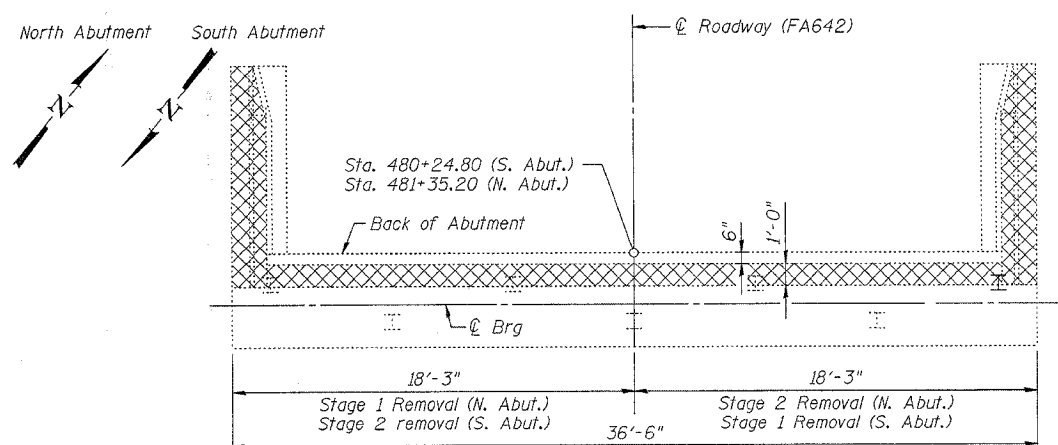


ABUTMENT ELEVATION

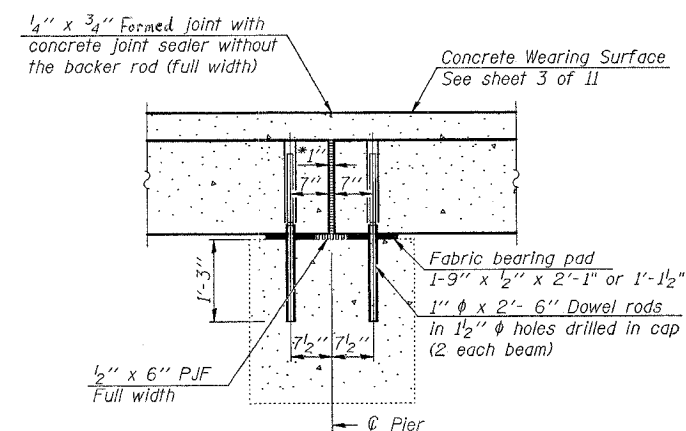


PIER TOP PLAN

(Pier 1 & 2)



ABUTMENT PLAN



SECTION A-A

*1" Jt. shall be filled with non-shrink grout. 1" dimension may vary to accommodate tolerance in beam lengths.

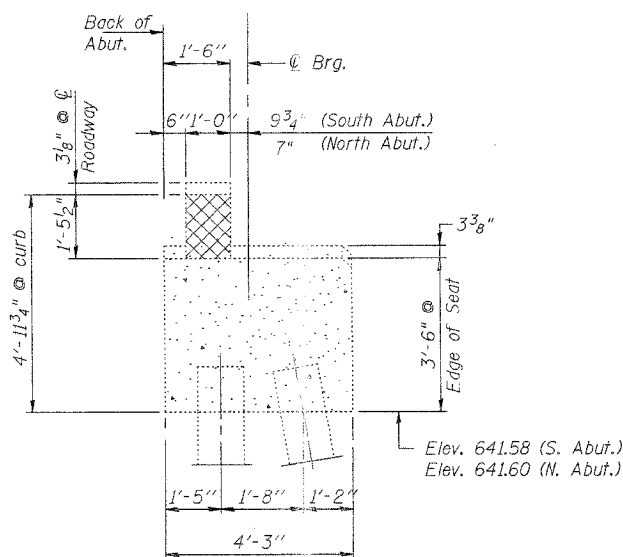
Notes :

After beams have been erected, holes shall be drilled into substructure and anchor dowels placed. Dowel holes shall be filled with non-shrink grout to top of beam and allowed to cure min. 24 hrs. prior to grouting the shear keys.

All horizontal dimensions are at right angles to beam ends.

BILL OF MATERIAL

Item	Unit	Total
Concrete Removal	Cu. Yd.	12.6



SEC. THRU ABUT.

LEGEND

Concrete Removal

DESIGNED COM	200
CHECKED EMM	EXAMINED
DRAWN COM	PASSED
CHECKED EMM	ENGINEER OF BRIDGES AND STRUCTURES

**SUBSTRUCTURE CONCRETE
REMOVAL**
IL. RTE. 78 OVER
DAVIS CREEK
F.A. 642 SECTION (10BR-3D & 11BR-8
JO DAVIESS COUNTY
STA. 20+75.37
STRUCTURE NUMBER 043-0042

DATE : 12-21-05