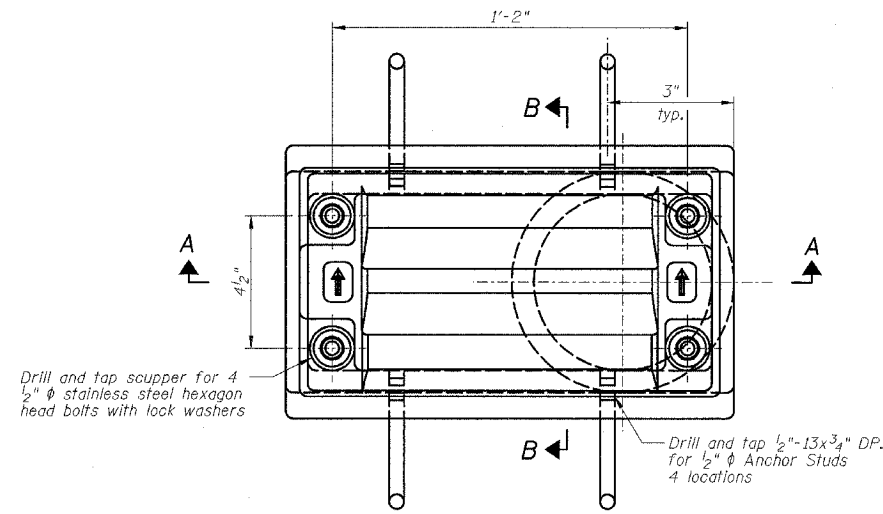


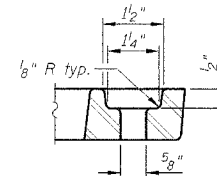
STATE OF ILLINOIS
DEPARTMENT OF TRANSPORTATION

F.A.I. RTE.	SECTION	COUNTY	TOTAL SHEETS	SHEET NO.
80	32-3HBR-1	GRUNDY	88	40
STA.	TO STA.			
FED. ROAD DIST. NO.	ILLINOIS	FED. AID PROJECT		

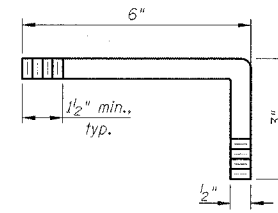
SHEET NO. B13
OF 35 SHEETS



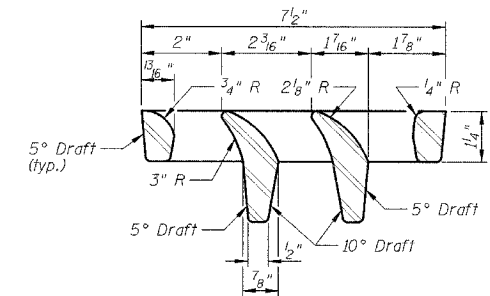
PLAN



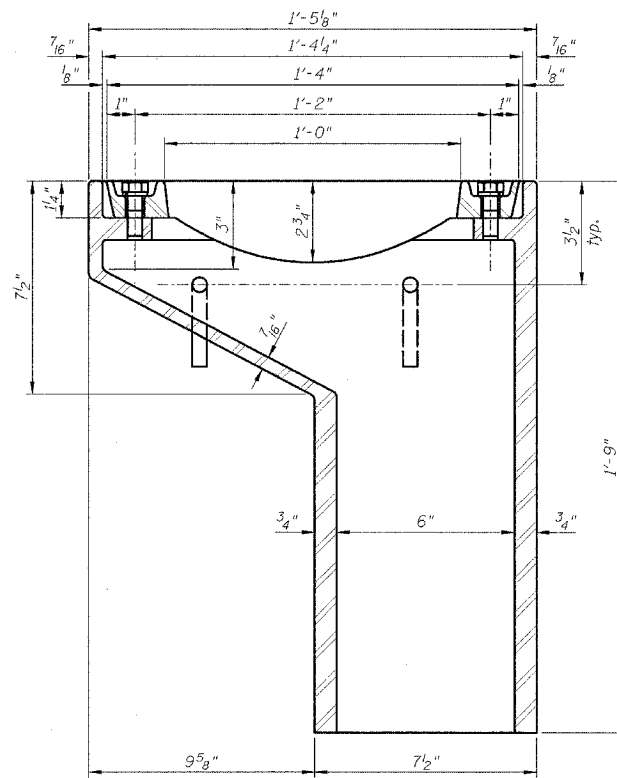
BOLT HOLE DETAIL



ANCHOR STUD DETAIL

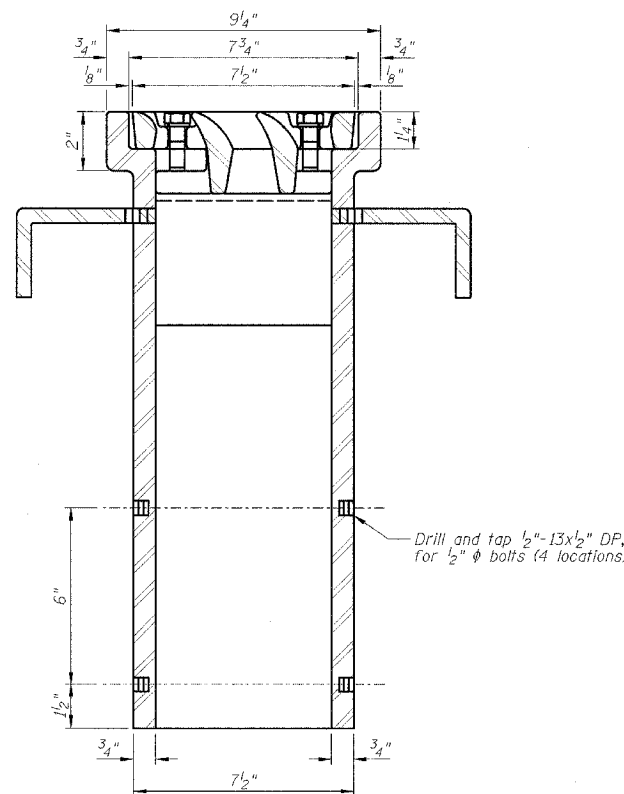


VANE GRATE DETAIL



SECTION A-A

See Sheet B1 for scupper location relative to parapet.



SECTION B-B

NOTES:

- 1.) All cast iron parts shall be gray iron conforming to the requirements of AASHTO M 105, Class 35B.
- 2.) Bolts, anchor studs, washers and nuts shall conform to the requirements of ASTM A 307 and shall be galvanized according to AASHTO M 232.
- 3.) The grate, frame and downspout shall be galvanized according to AASHTO M 111 and ASTM A 385. Downspouts located on the exterior side of a painted steel fascia beam shall be painted with the finish coat specified for the exterior side of the fascia beam.
- 4.) As an alternate, bolts, anchor studs, washers and nuts may be stainless steel according to Article 1006.29(d) of the Standard Specifications.
- 5.) Structural steel weldments of equal sections and of the same configuration may be substituted for cast iron. Fillet or full penetration welds shall be used for the weldments. Details shall be submitted to the Engineer for approval.
- 6.) The Contractor shall take appropriate measures to assure that Protective Coat is not applied to the scupper.
- 7.) Cost of the Grate, Frame, Downspout, Anchor Studs, Bolts, Washers and Nuts including complete installation of the scupper shall be paid for at the contract unit price each for Drainage Scupper, DS-11.

BILL OF MATERIAL

ITEM	UNIT	QUANTITY
Drainage Scupper, DS-11	Each	4

REVISIONS	
NAME	DATE

ILLINOIS DEPARTMENT OF TRANSPORTATION
DRAINAGE SCUPPER, DS-11
F.A.I. 80 (I-80)
F.A.U. 5974 (ASHLEY ROAD) OVER I-80
SECTION 32-3HBR-1
GRUNDY COUNTY
STATION 110+00.00 STRUCTURE NO. 032-0113
DESIGNED BY: JML
DRAWN BY: DJM
DATE: 09/09/05
CHECKED BY: MSW