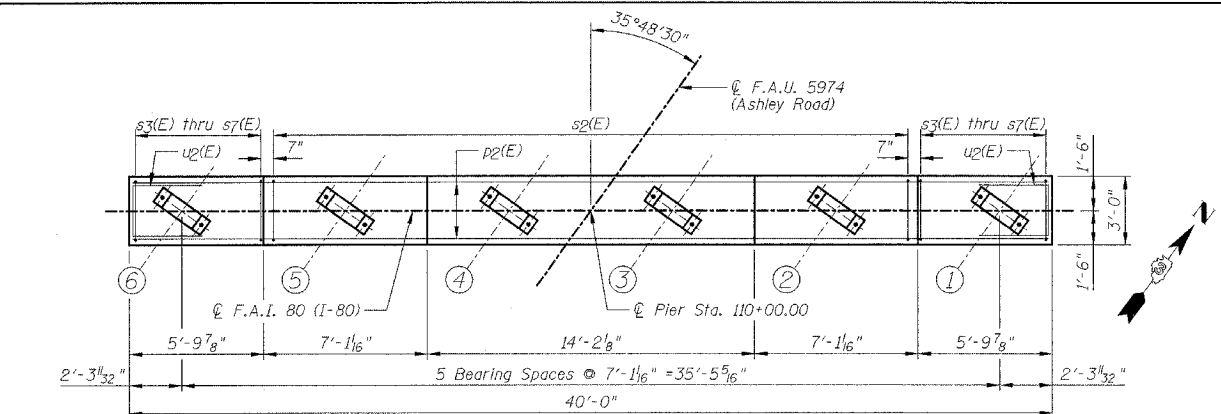


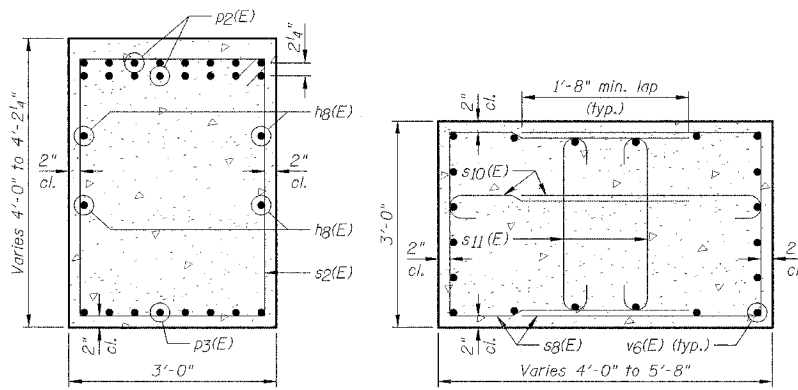
F.A.I. RTE.	SECTION	COUNTY	TOTAL SHEETS	SHEET NO.
80	32-3HBR-1	GRUNDY	88	50
STA. TO STA.		ILLINOIS FED. AID PROJECT		

SHEET NO. B23
OF 35 SHEETS

STATE OF ILLINOIS
DEPARTMENT OF TRANSPORTATION

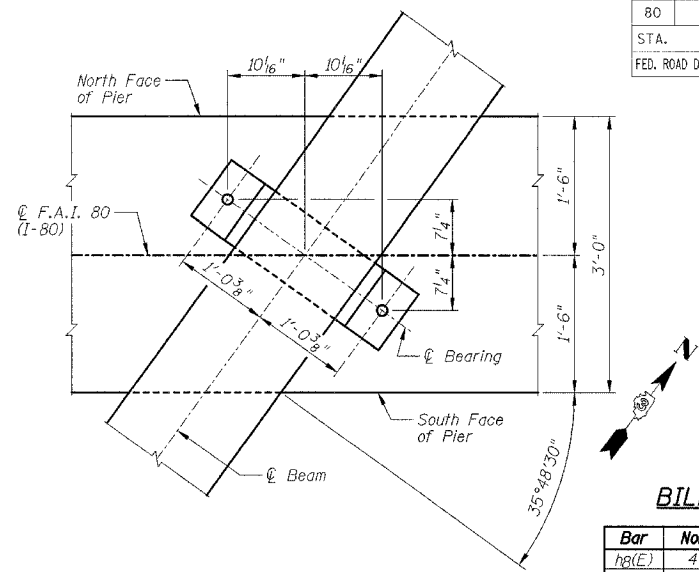


TOP PLAN

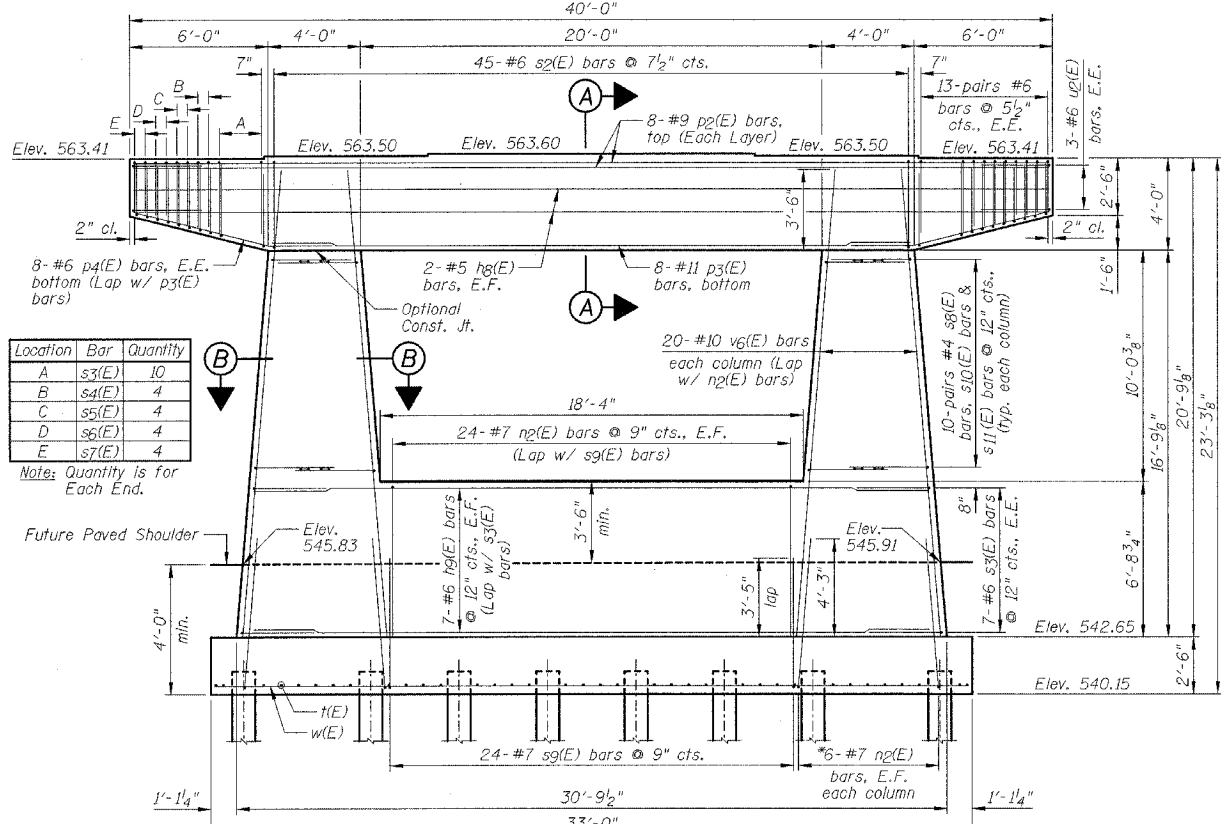


SECTION A-A

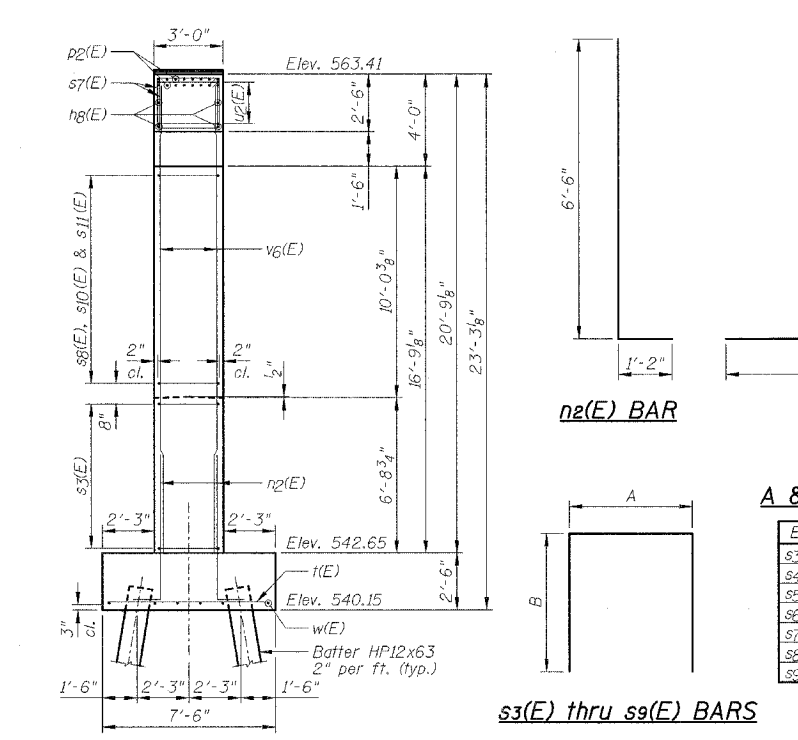
SECTION B-B



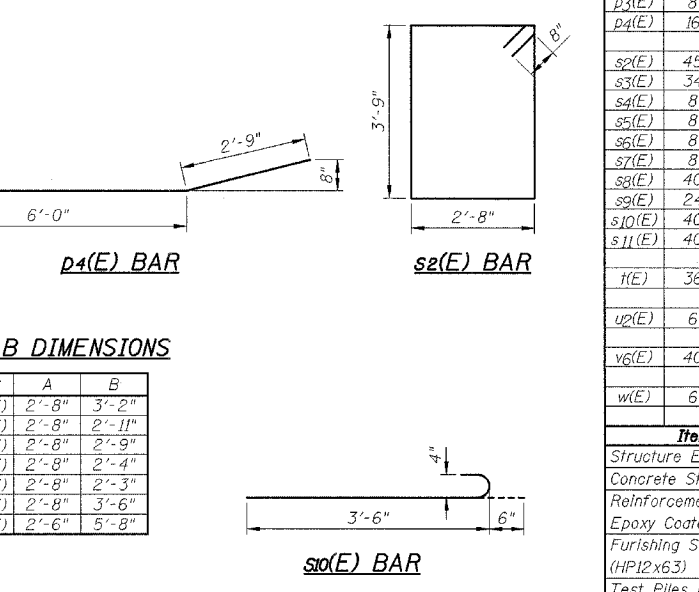
TYPICAL ANCHOR BOLT
PLACEMENT DETAIL



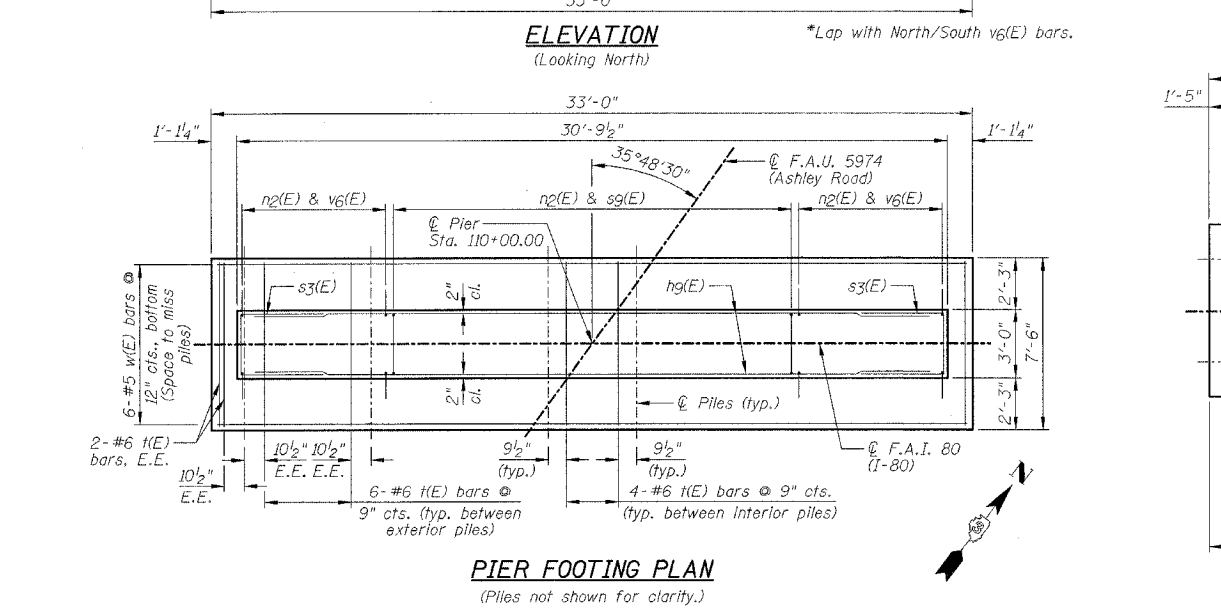
ELEVATION
(Looking North)



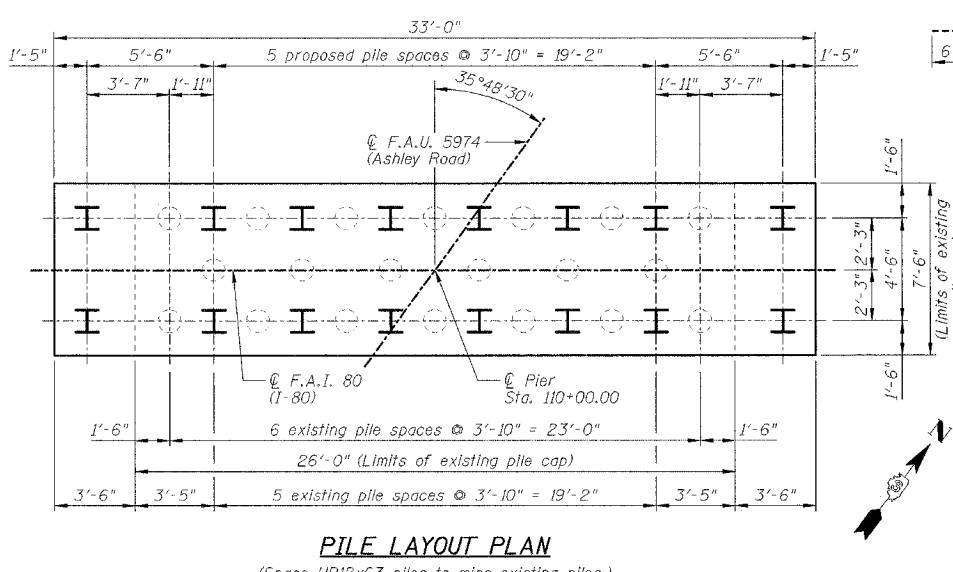
END VIEW



A & B DIMENSIONS



PIER FOOTING PLAN
(Piles not shown for clarity.)



PILE LAYOUT PLAN
(Space HP12x63 piles to miss existing piles.)

BILL OF MATERIAL

Bar	No.	Size	Length	Shape
hg(E)	4	#5	39'-8"	
hp(E)	14	#6	29'-4"	
np(E)	72	#7	7'-8"	
pp(E)	16	#9	39'-8"	
ps(E)	8	#11	27'-8"	
pd(E)	16	#6	8'-9"	
sp(E)	45	#6	14'-2"	
s3(E)	34	#6	9'-0"	
s4(E)	8	#6	8'-6"	
s5(E)	8	#6	8'-2"	
s6(E)	8	#6	7'-4"	
s7(E)	8	#6	7'-2"	
s8(E)	40	#4	9'-8"	
s9(E)	24	#7	13'-10"	
s10(E)	40	#4	4'-0"	
s11(E)	40	#4	3'-8"	
tt(E)	36	#6	7'-2"	
u2(E)	6	#6	8'-6"	
v6(E)	40	#10	20'-4"	
w(E)	6	#5	32'-8"	

Item	Unit	Quantity
Structure Excavation	Cu Yd	57
Concrete Structures	Cu Yd	73.5
Reinforcement Bars, Epoxy Coated	Pound	12560
Furlishing Steel Piles (HP12x63)	Foot	690
Test Piles HP12x63	Each	1
Driving Steel Piles	Foot	690

PILE DATA:

Type	HP12x63 Steel
No. Req'd.	15+1 Test Pile
Est. Length	46 Feet
Capacity	Drive to Refusal

NOTES:

- 1.) Work this sheet with Sheet B2.
- 2.) Space reinforcement in cap to miss anchor bolts.
- 3.) Reinforcement bars designated (E) shall be epoxy coated.
- 4.) Pour steps monolithically with cap.
- 5.) E.F. denotes Each Face & E.E. denotes Each End.

REVISIONS	
NAME	DATE

ILLINOIS DEPARTMENT OF TRANSPORTATION
PIER
F.A.I. 80 (I-80)
F.A.U. 5974 (ASHLEY ROAD) OVER I-80
SECTION 32-3HBR-1
GRUNDY COUNTY
STATION 110+00.00 STRUCTURE NO. 032-0113
DESIGNED BY: JML
DRAWN BY: DJM
DATE: 09/09/05
CHECKED BY: MSW