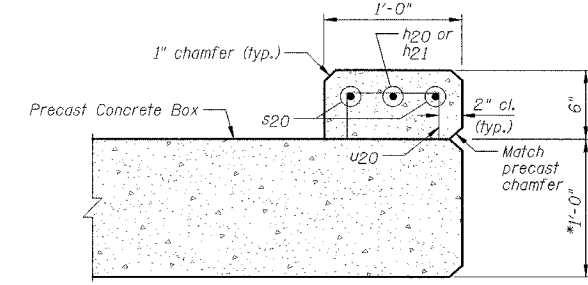
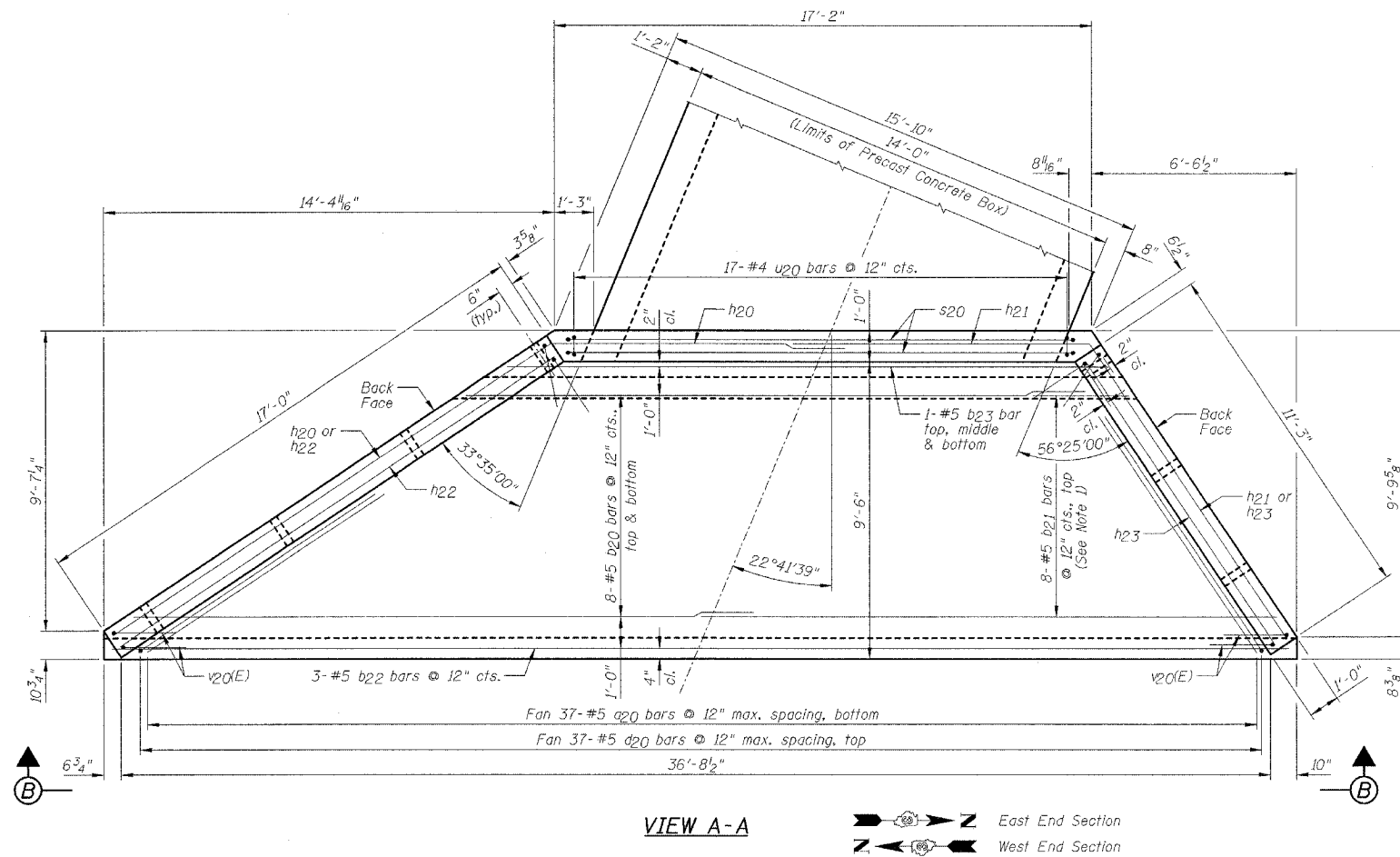


STATE OF ILLINOIS
DEPARTMENT OF TRANSPORTATION

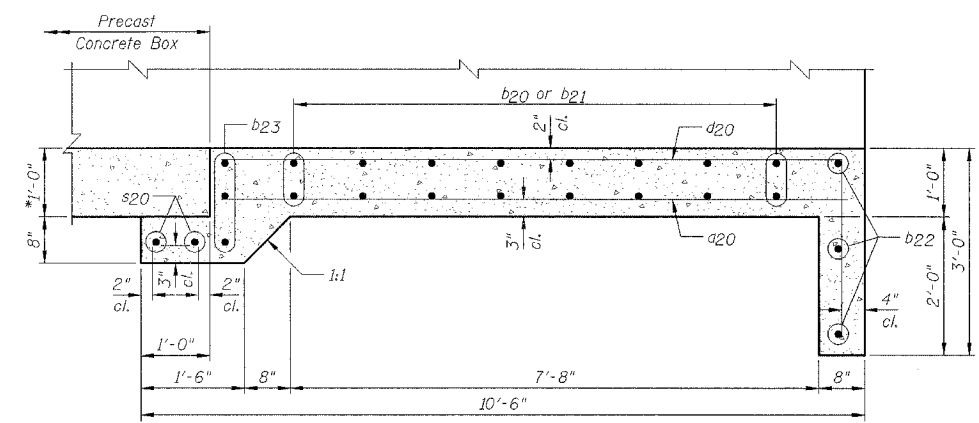
F.A.I. RTE.	SECTION	COUNTY	TOTAL SHEETS	SHEET NO.
80	32-3HBR-1	GRUNDY	88	65
STA.		TO STA.		
FED. ROAD DIST. NO.		ILLINOIS FED. AID PROJECT		

SHEET NO. C3
OF 5 SHEETS



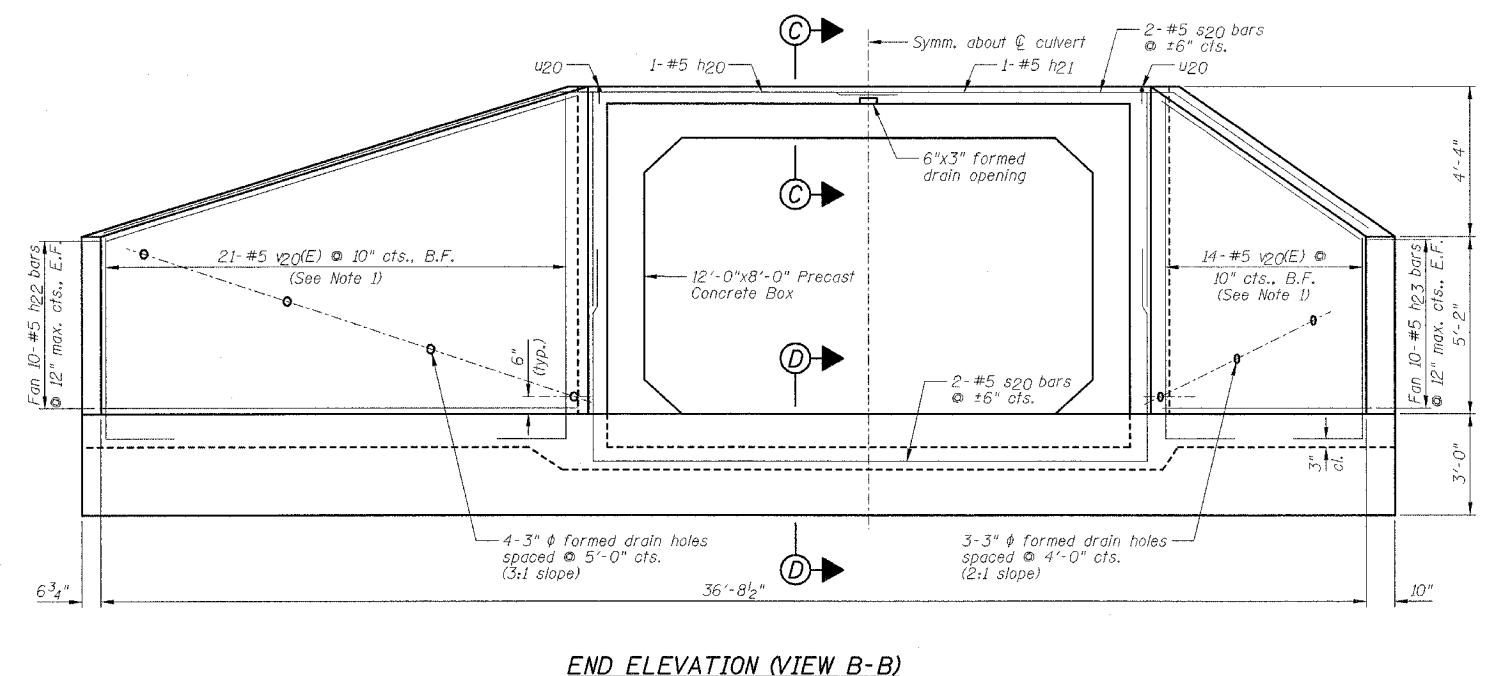
SECTION C-C

*Confirm slab thickness with Precaster.



SECTION D-D

*Confirm slab thickness with Precaster.



END ELEVATION (VIEW B-B)

NOTES:

- 1.) Order b21 and v20(E) full length, cut according to Bar Cutting Diagram on Sheet C2. Use remainder of b21 bars in bottom of slab and remainder of v20(E) bars in opposite face of wingwall.
- 2.) Minimum bar lap: #5 = 1'-8"
- 3.) Work this sheet with Sheets C1-C2 and C4.
- 4.) E.F. denotes Each Face
B.F. denotes Back Face
- 5.) For location of View A-A, see Sheet C2.

REVISIONS	
NAME	DATE

ILLINOIS DEPARTMENT OF TRANSPORTATION
12'-0" x 8'-0" BOX CULVERT
ELEVATION AND SECTIONS
CULVERT @ STATION 114+17.59
F.A.I. 80 (I-80)
SECTION 32-3HBR-1
GRUNDY COUNTY

DESIGNED BY: JML
DATE: 09/09/05

DRAWN BY: DJM
CHECKED BY: MSW