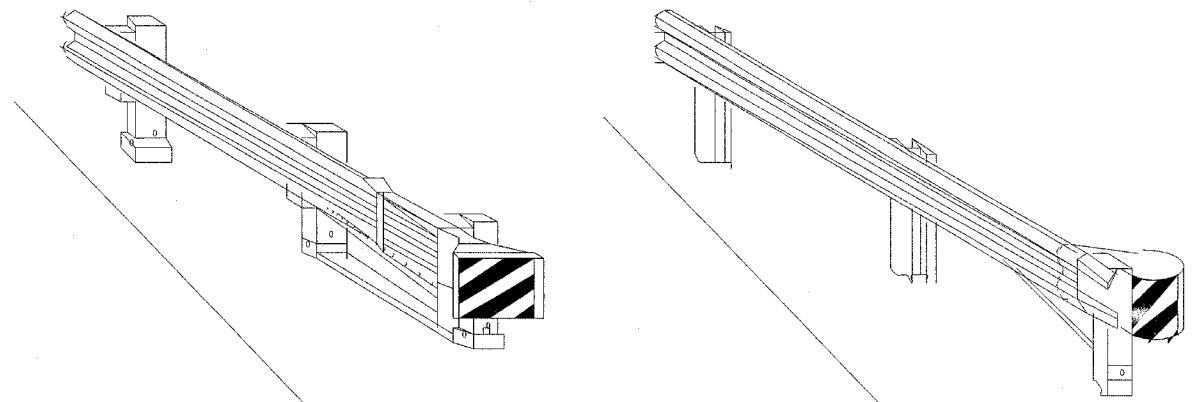
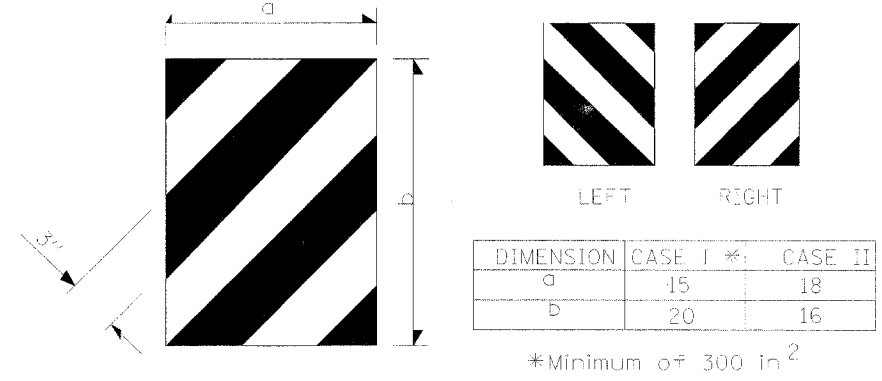


F.A.I. RTE.	SECTION	COUNTY	TOTAL SHEETS	SHEET NO.
80	32-3HBR-1	GRUNDY	88	74
STA.	TO STA.			
FED. ROAD DIST. NO.	ILLINOIS	FED. AID PROJECT		



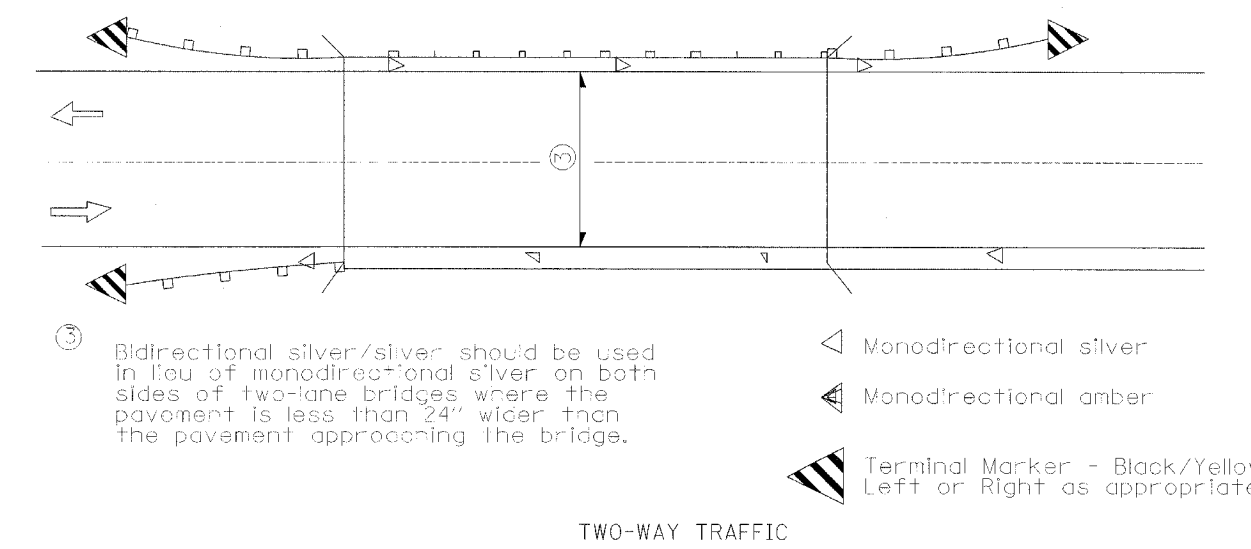
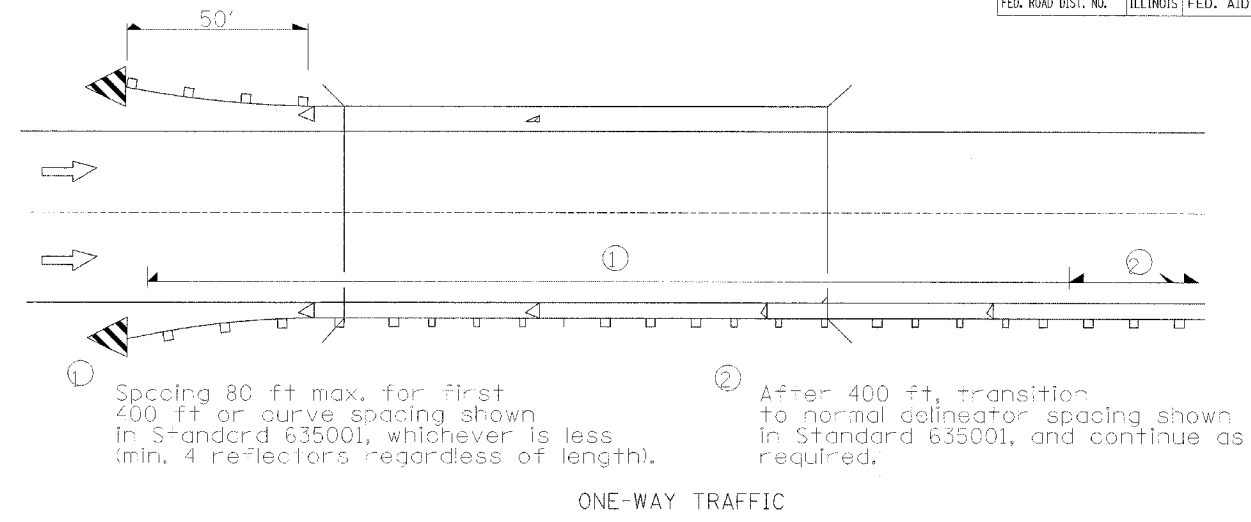
CASE I

CASE II

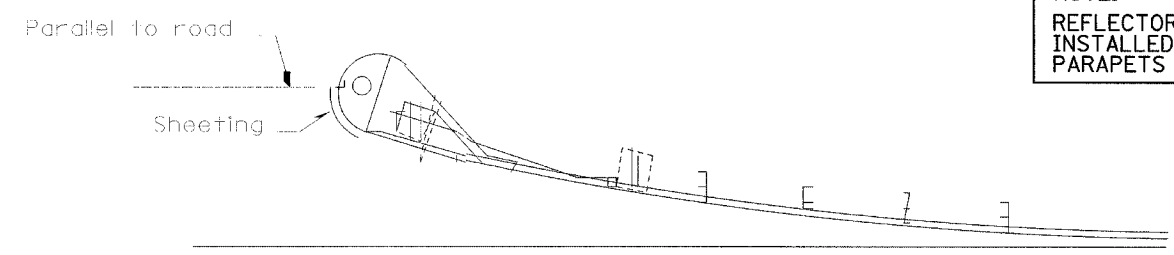


TERMINAL MARKER DETAILS

Color: Black / Yellow reflectorized



GUARDRAIL / BARRIER WALL / BRIDGE RAIL REFLECTORS



NOTE:
REFLECTORS WILL BE INSTALLED ON PARAPETS ONLY

SHEETING POSITION: CASE II

635-1

REFLECTOR AND TERMINAL MARKER PLACEMENT

REVISIONS	
NAME	DATE

ILLINOIS DEPARTMENT OF TRANSPORTATION
DISTRICT DETAILS
F.A.I. 80 (I-80)
SECTION 32-3HBR-1
GRUNDY COUNTY

DATE: 09/09/05
DRAWN BY: JJO
CHECKED BY: MSW