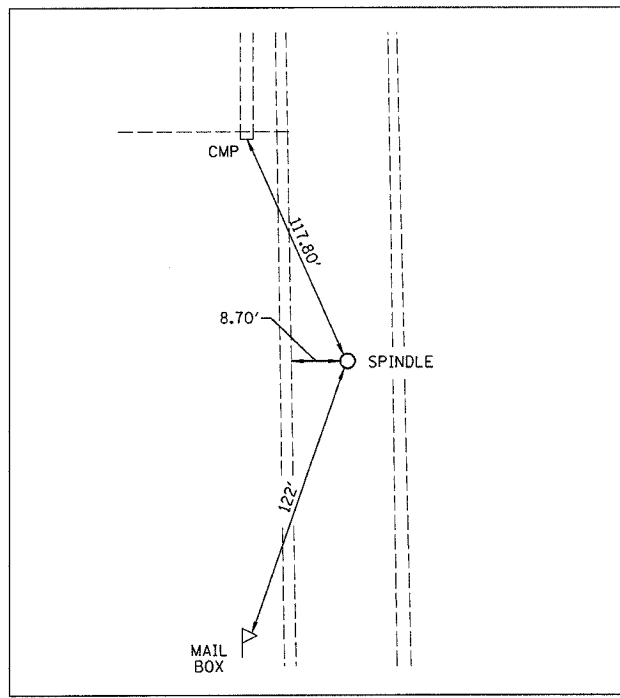
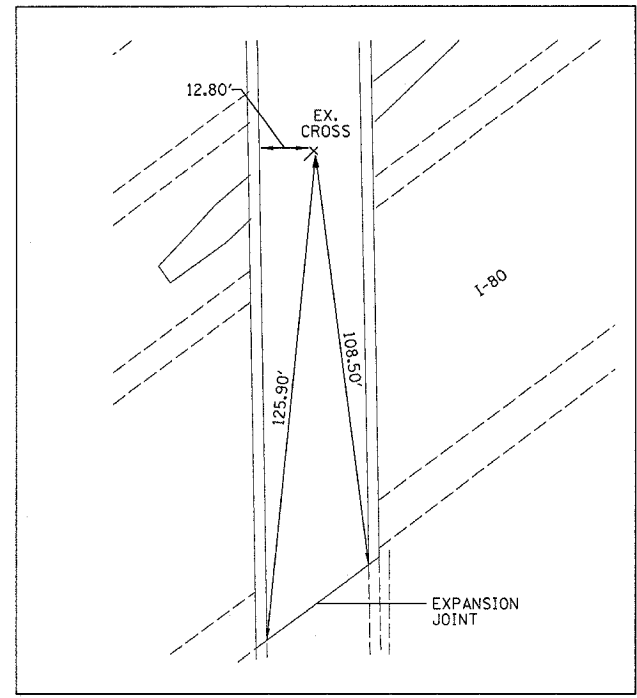


66407

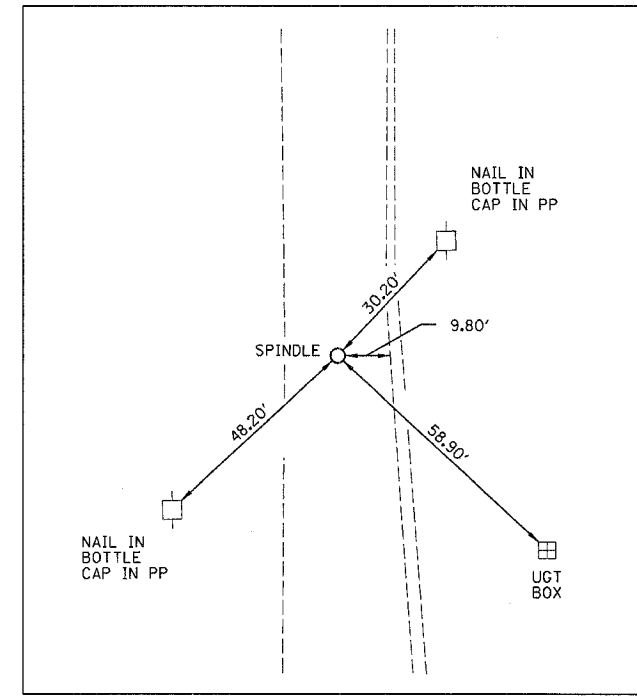
F.A.I. RTE.	SECTION	COUNTY	TOTAL SHEETS	SHEET NO.
80	32-3HBR-1	GRUNDY	88	8
STA.	TO STA.			
FED. ROAD DIST. NO.	ILLINOIS	FED. AID PROJECT		



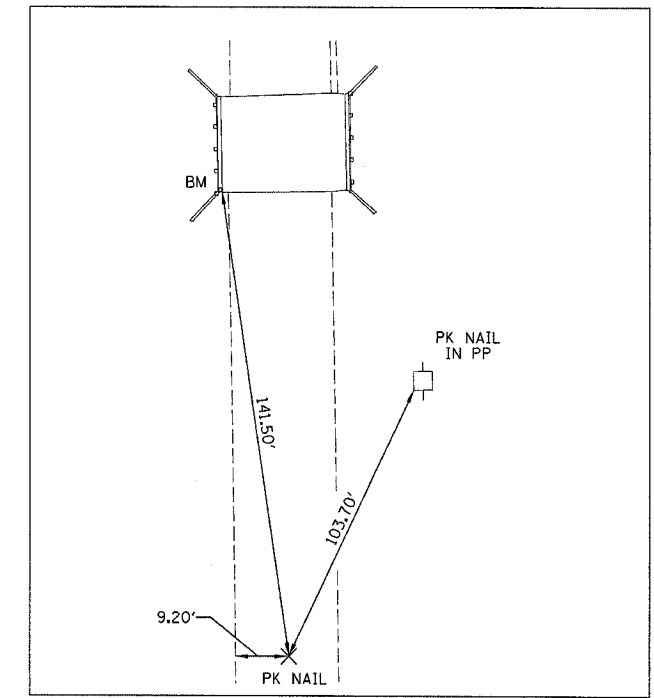
ASHLEY RD  
STA 95+00, 0.00' LT  
N=1725270.405  
E=965064.547



ASHLEY RD  
STA 110+00, 0.00' LT=  
STA 1266+24.59 FAI-80  
N=1723770.648  
E=965088.998

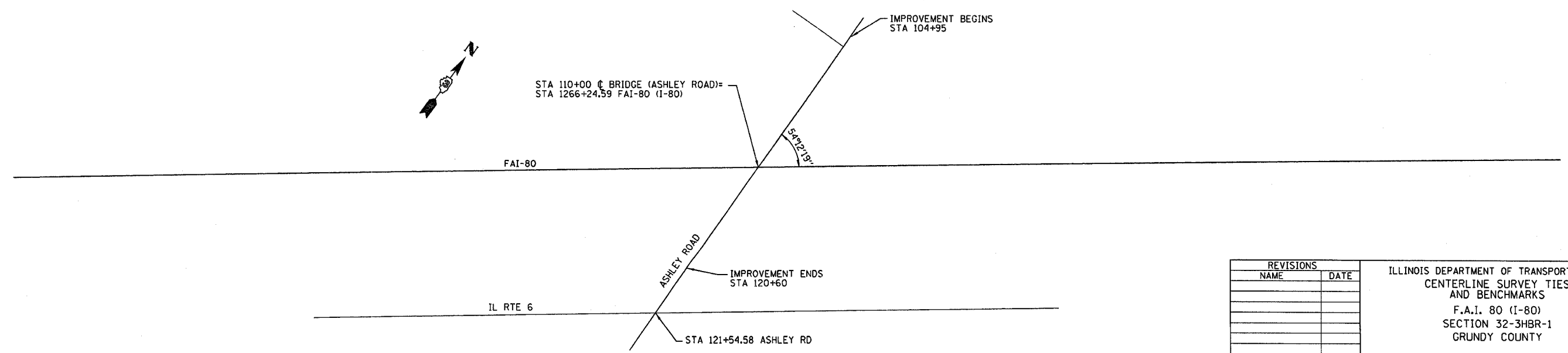


ASHLEY RD  
STA 120+00, 0.00' LT  
N=1722770.793  
E=965105.227



ASHLEY RD  
STA 130+00, 0.00' LT  
N=1721770.918  
E=965121.588

- BENCHMARK STA 123+15±, 26' RT ELEV=545.39 EX RR SPIKE IN POWER POLE @ S.W. CORNER OF RTE 6 & SUSAN RD
- BENCHMARK STA 120+37±, 34' RRT ELEV=549.25 EX RR SPIKE IN POWER POLE @ N.W. CORNER OF ASHLEY RD & RTE 6
- BENCHMARK STA 110+00 ELEV=566.51 EX "X" @ C ASHLEY BRIDGE AND C I-80
- BENCHMARK STA 103+67±, 90.5' RT ELEV=550.08 E FOUNDATION OF 3RD CORN DRYER S. OF GRANVILLE RD W. SIDE OF ASHLEY RD
- BENCHMARK STA 102+57±, 29' LT ELEV=551.64 EX RR SPIKE IN POWER POLE @ S.E. CORNER OF GRANVILLE RD & ASHLEY RD
- BENCHMARK STA 128+65±, 15.5' RT ELEV=530.90 EX "X" S.W. CORNER OF HEADWALL ON BRIDGE 500'± S. OF RTE 6 ON ASHLEY RD
- BENCHMARK STA 120+37±, 26' RT ELEV=545.39 EX RR SPIKE IN POWER POLE @ S.W. CORNER OF RTE 6 & SUSAN RD
- BENCHMARK STA 120+37±, 34' RRT ELEV=549.25 EX RR SPIKE IN POWER POLE @ N.W. CORNER OF ASHLEY RD & RTE 6
- BENCHMARK STA 110+00 ELEV=566.51 EX "X" @ C ASHLEY BRIDGE AND C I-80
- BENCHMARK STA 103+67±, 90.5' RT ELEV=550.08 E FOUNDATION OF 3RD CORN DRYER S. OF GRANVILLE RD W. SIDE OF ASHLEY RD
- BENCHMARK STA 102+57±, 29' LT ELEV=551.64 EX RR SPIKE IN POWER POLE @ S.E. CORNER OF GRANVILLE RD & ASHLEY RD
- BENCHMARK STA 128+65±, 15.5' RT ELEV=530.90 EX "X" S.W. CORNER OF HEADWALL ON BRIDGE 500'± S. OF RTE 6 ON ASHLEY RD
- BENCHMARK STA 123+15±, 26' RT ELEV=545.39 EX RR SPIKE IN POWER POLE @ S.W. CORNER OF RTE 6 & SUSAN RD
- BENCHMARK STA 120+37±, 34' RRT ELEV=549.25 EX RR SPIKE IN POWER POLE @ N.W. CORNER OF ASHLEY RD & RTE 6
- BENCHMARK STA 110+00 ELEV=566.51 EX "X" @ C ASHLEY BRIDGE AND C I-80
- BENCHMARK STA 103+67±, 90.5' RT ELEV=550.08 E FOUNDATION OF 3RD CORN DRYER S. OF GRANVILLE RD W. SIDE OF ASHLEY RD
- BENCHMARK STA 102+57±, 29' LT ELEV=551.64 EX RR SPIKE IN POWER POLE @ S.E. CORNER OF GRANVILLE RD & ASHLEY RD
- BENCHMARK STA 128+65±, 15.5' RT ELEV=530.90 EX "X" S.W. CORNER OF HEADWALL ON BRIDGE 500'± S. OF RTE 6 ON ASHLEY RD



REVISIONS	
NAME	DATE

ILLINOIS DEPARTMENT OF TRANSPORTATION  
CENTERLINE SURVEY TIES  
AND BENCHMARKS  
F.A.I. 80 (I-80)  
SECTION 32-3HBR-1  
GRUNDY COUNTY

DATE: 09/09/05  
DRAWN BY: JJO  
CHECKED BY: MSW