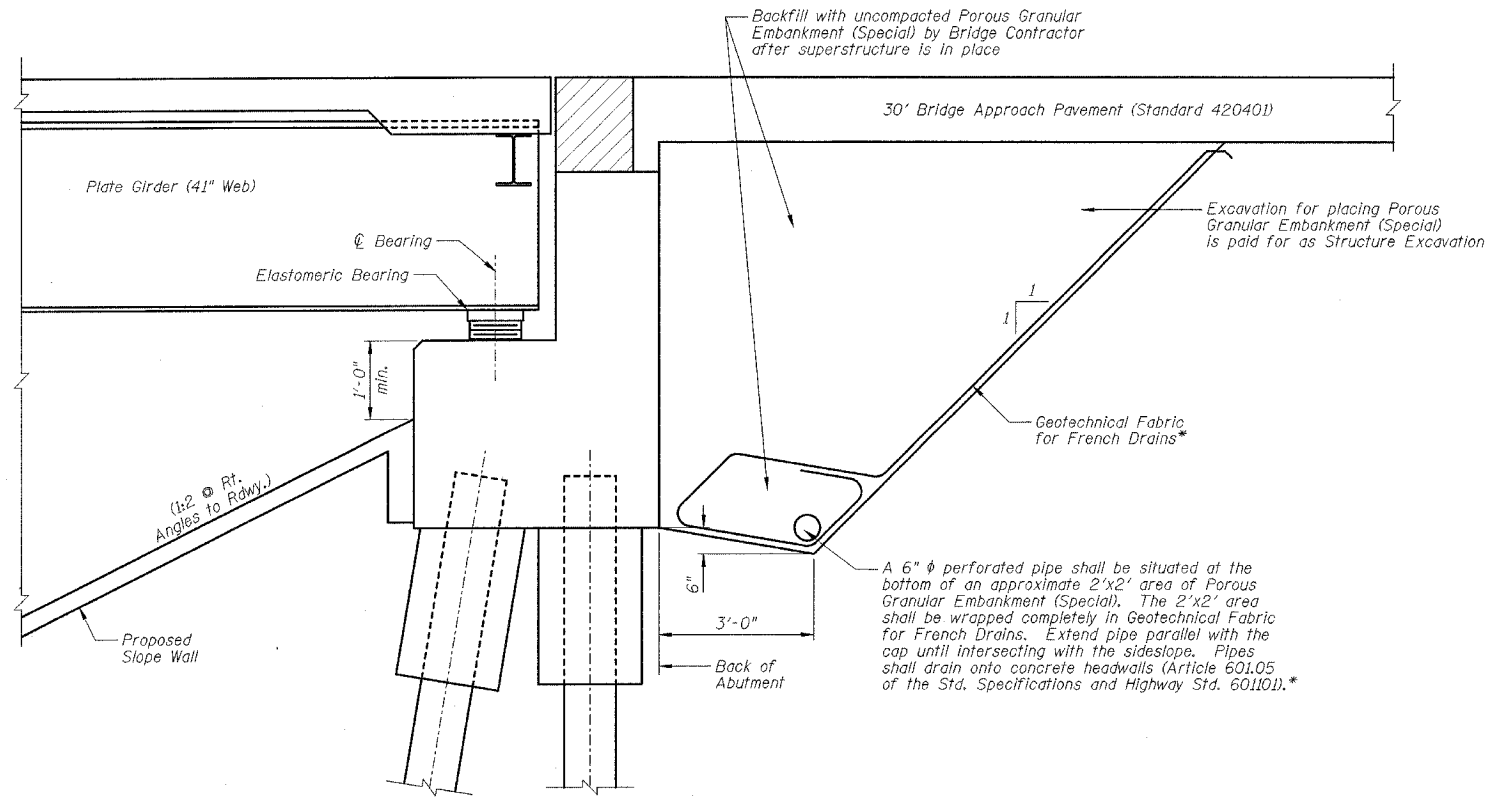


STATE OF ILLINOIS
DEPARTMENT OF TRANSPORTATION

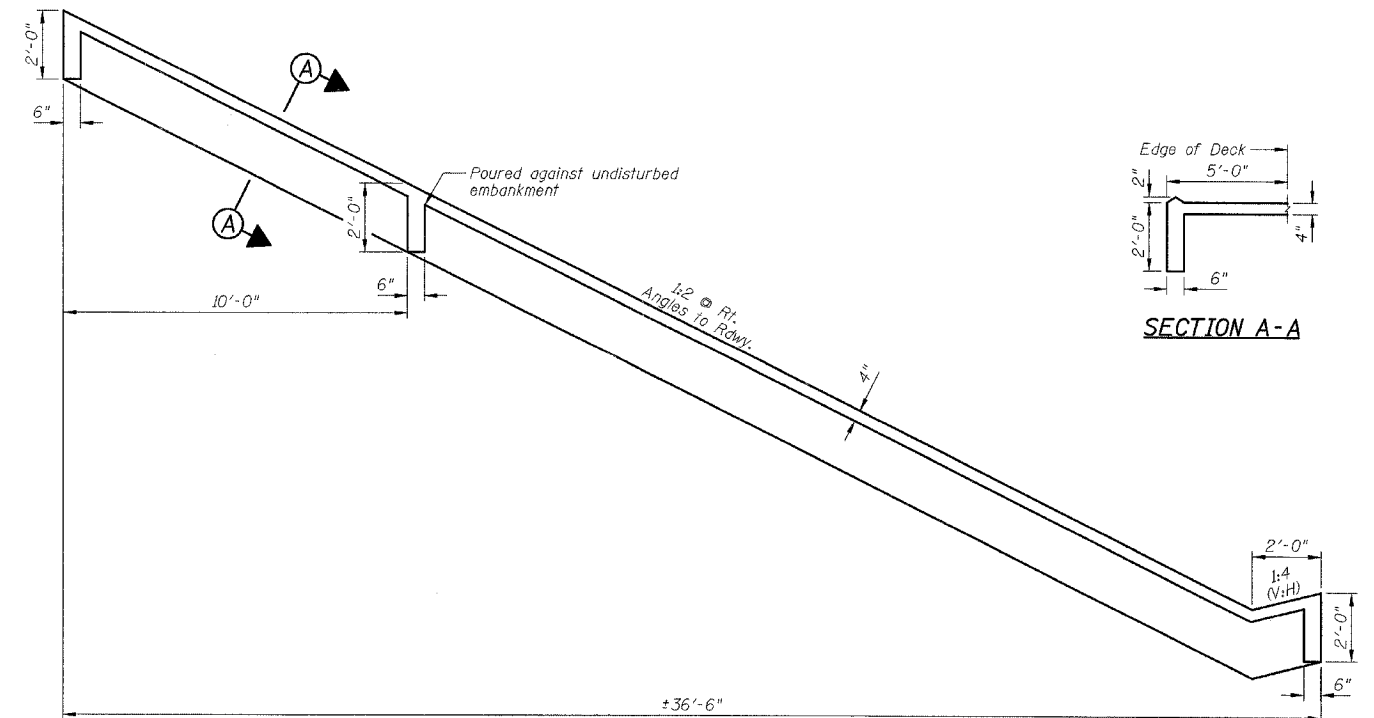
CONTRACT NO. 66407				
F.A.I. RTE.	SECTION	COUNTY	TOTAL SHEETS	SHEET NO.
80	32-3HBR-1	GRUNDY	88	30
STA.		TO STA.		
FED. ROAD DIST. NO.		ILLINOIS FED. AID PROJECT		

SHEET NO. B3
OF 35 SHEETS



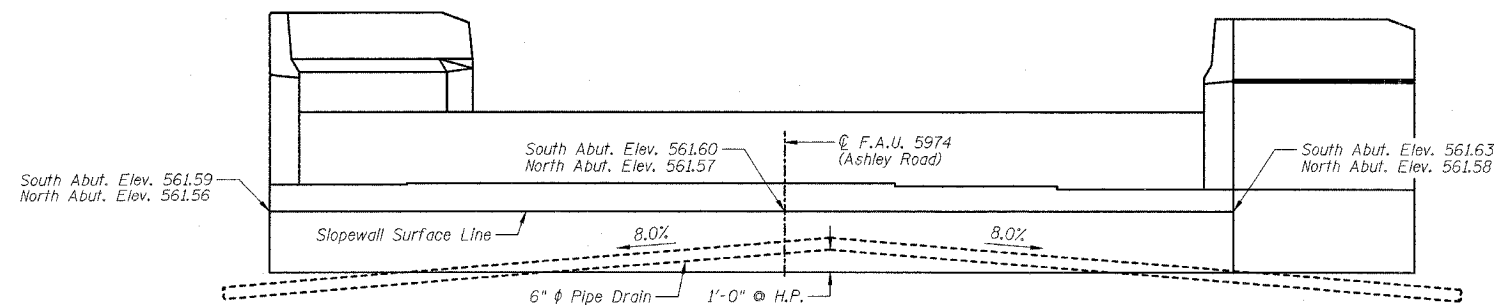
SECTION THRU ABUTMENT
(Dimensions @ Right Angles to Abutment)

*Included in the cost of Porous Granular Embankment (Special).



SECTION THRU SLOPE WALL

Note: All horizontal dimensions are at right angles to the roadway.



ABUTMENT ELEVATION, TYPICAL DRAIN DETAIL

REVISIONS	
NAME	DATE
DJM	11/21/05

ILLINOIS DEPARTMENT OF TRANSPORTATION
MISCELLANEOUS DETAILS
F.A.I. 80 (I-80)
F.A.U. 5974 (ASHLEY ROAD) OVER I-80
SECTION 32-3HBR-1
GRUNDY COUNTY
STATION 110+00.00 STRUCTURE NO. 032-0113
DESIGNED BY: JML
DRAWN BY: DJM
DATE: 09/09/05
CHECKED BY: MSW