

STATE OF ILLINOIS
DEPARTMENT OF TRANSPORTATION

F.A.I. RTE.	SECTION	COUNTY	TOTAL SHEETS	SHEET NO.
80	32-3HBR-1	GRUNDY	88	39
STA.		TO STA.		
FED. ROAD DIST. NO.		ILLINOIS FED. AID PROJECT		

SHEET NO. B12
OF 35 SHEETS

Joint Size	"C" at 50°F	"D" at 50°F
2"	2"	1 1/2" Min.
2 1/2"	2 1/2"	1 3/4" Min.
4"	3"	2 1/2" Min.

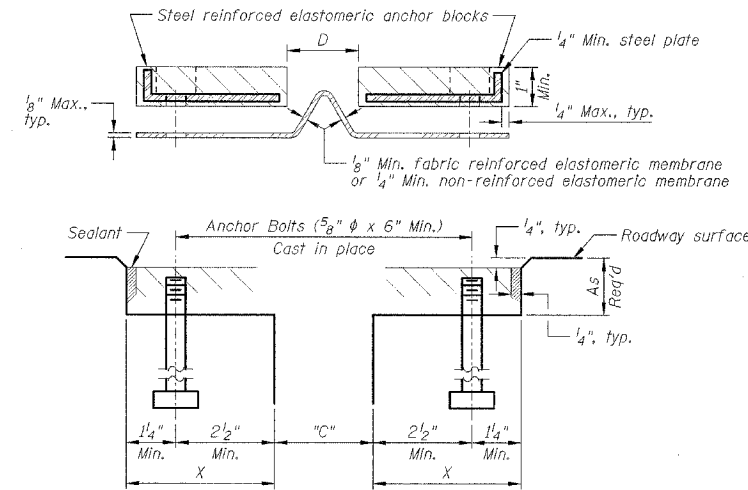
INSTALLATION NOTES:

- Install continuous seal in roadway, parapet, curb, and sidewalk.
- Install anchor blocks as indicated.

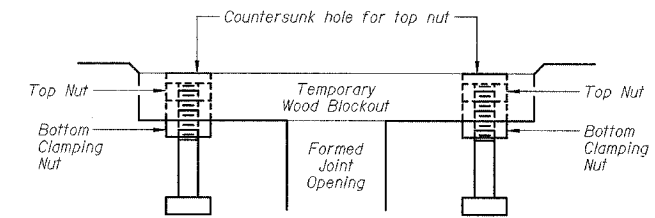
NOTE A: Maximum spacing of anchor bolts shall be 12" centers.

SKIEW LIMITATIONS:

The details of the anchor blocks and the elastomeric membrane in the parapet, as shown, are for up to 50° skews. For skews greater than 50°, the anchor blocks and the elastomeric membrane, installed according to dimension "D", might require modifications to insure a minimum clearance of 1/2" from centerline of anchor studs to edge of parapet opening. The anchor blocks and the elastomeric membrane shall also be installed to the top of the parapet with the anchor studs spaced at ±12" cts.



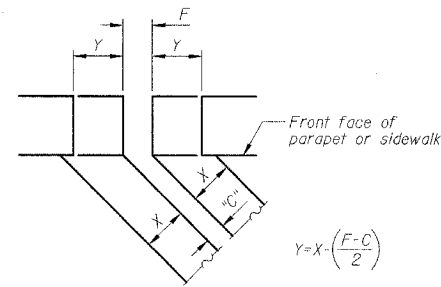
CROSS SECTION



Note: Stud needs to be threaded lower to allow for use of clamping nut.

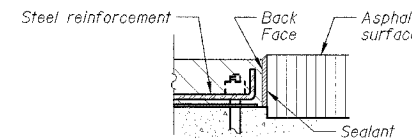
RECOMMENDED BLOCKOUT DETAIL

Note: Anchor studs should be stainless.



FORMING BLOCKOUT SKETCH

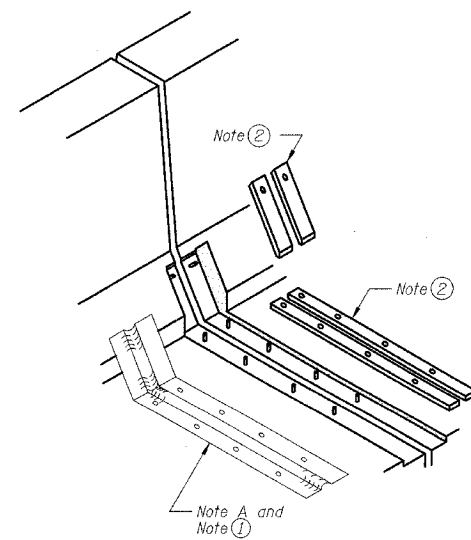
For dimension "F" see Sheets B8 & B9.



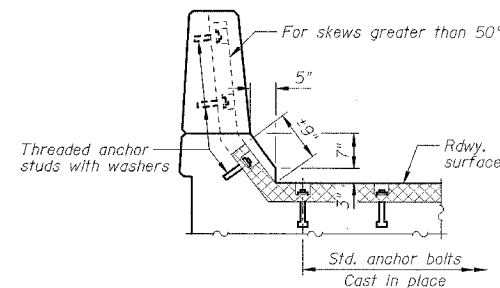
ANCHOR BLOCK WITH ASPHALT SURFACE

GENERAL NOTES:

- Continuous Seal Neoprene Expansion Joint shall consist of molded anchor blocks of elastomer and steel, field assembled over continuous lengths of elastomeric membrane.
- The elastomeric membrane shall be premolded with a single or a double upward convolution that will have a "memory" to return to its molded position upon joint closure.
- The convolution length shall be such that the extended length will not be greater than the manufactured length when the joint is fully expanded in its design range and will not protrude above the anchor blocks when the joint is fully compressed.
- Joint openings shall be adjusted according to Article 503.10(c) of the Standard Specifications when the deck is poured at an ambient temperature other than 50° F.
- The parapet and roadway membrane shall be made continuous by an approved vulcanizing process. Lapping will not be permitted.



AT PARAPET



AT PARAPET

BILL OF MATERIAL

ITEM	UNIT	QUANTITY
Neoprene Expansion Joint - 2"	Foot	82

REVISIONS		ILLINOIS DEPARTMENT OF TRANSPORTATION CONTINUOUS SEAL TYPE NEOPRENE EXPANSION JOINTS F.A.I. 80 (I-80) F.A.U. 5974 (ASHLEY ROAD) OVER I-80 SECTION 32-3HBR-1 GRUNDY COUNTY STATION 110+00.00 STRUCTURE NO. 032-0113
NAME	DATE	
		DESIGNED BY: JML
		DRAWN BY: DJM
		CHECKED BY: MSW
		DATE: 09/09/05