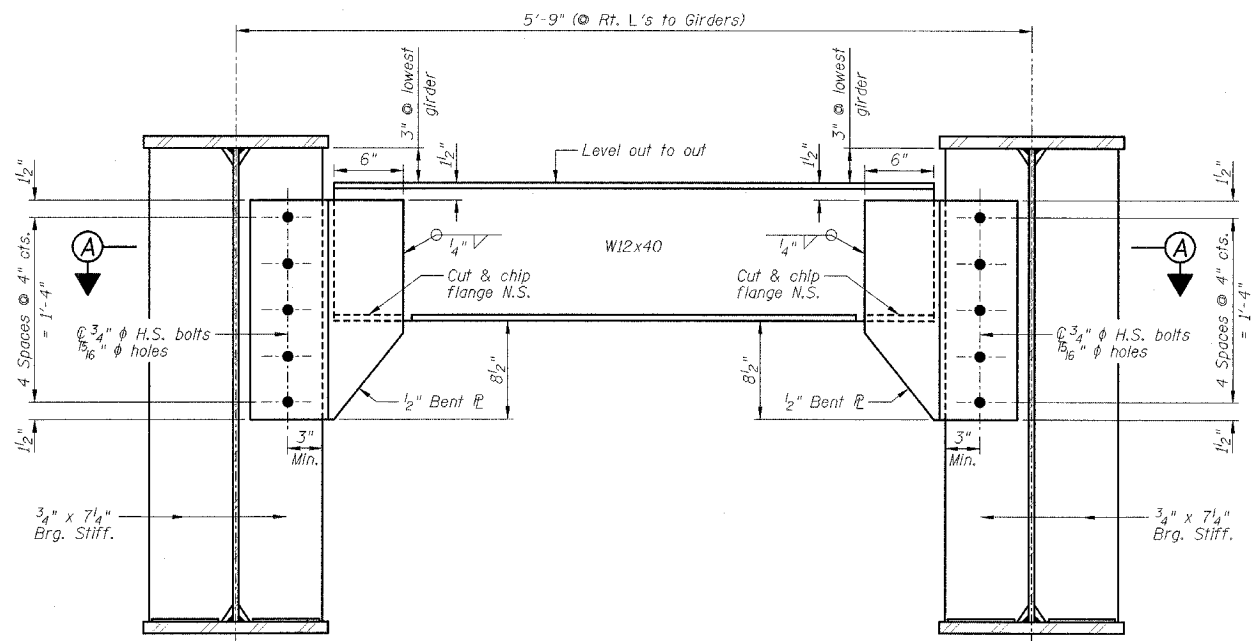
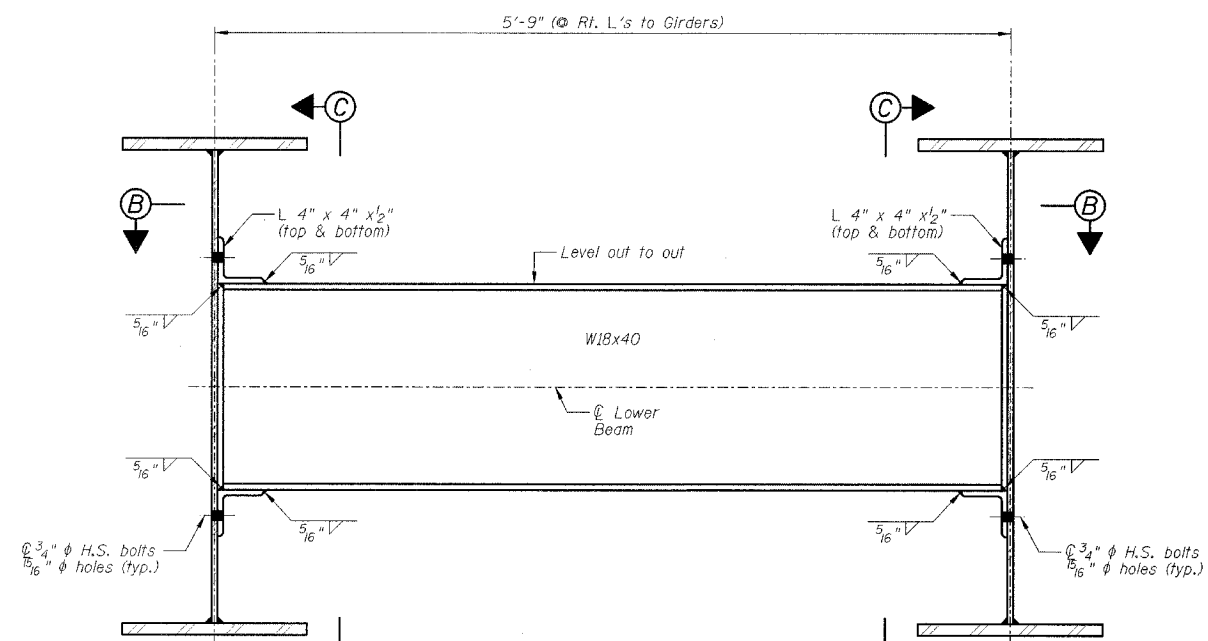


F.A.I. RTE.	SECTION	COUNTY	TOTAL SHEETS	SHEET NO.
80	32-3HBR-1	GRUNDY	88	43
STA.	TO STA.			
FED. ROAD DIST. NO.	ILLINOIS	FED. AID PROJECT		

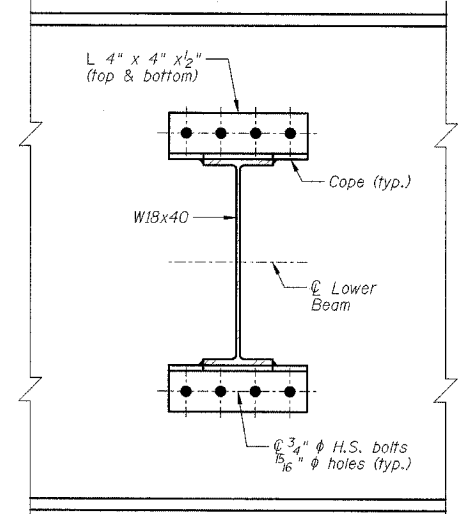
STATE OF ILLINOIS
DEPARTMENT OF TRANSPORTATION



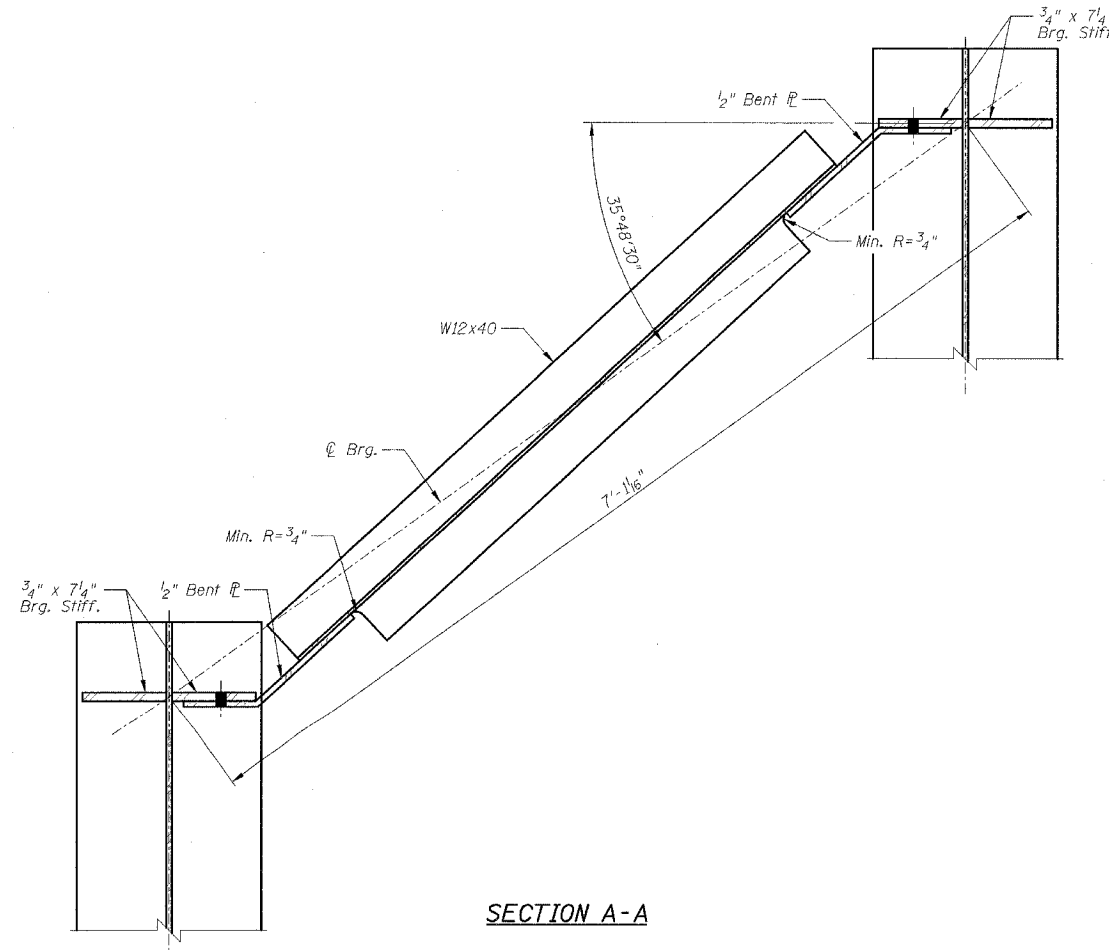
DIAPHRAGM D-1
(10 - Required)



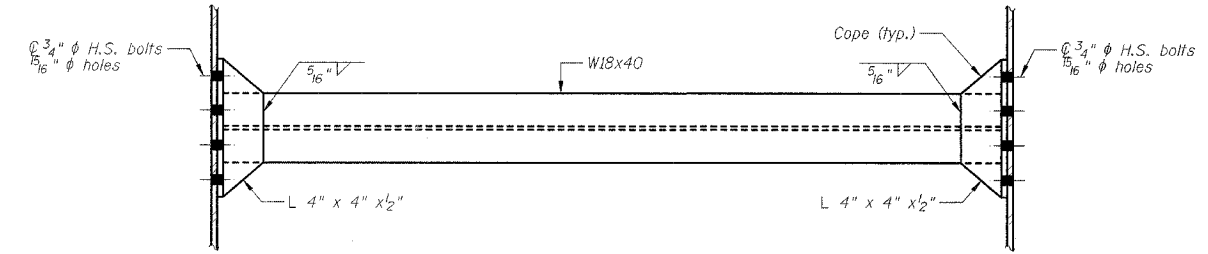
DIAPHRAGM D-2
(55 - Required)



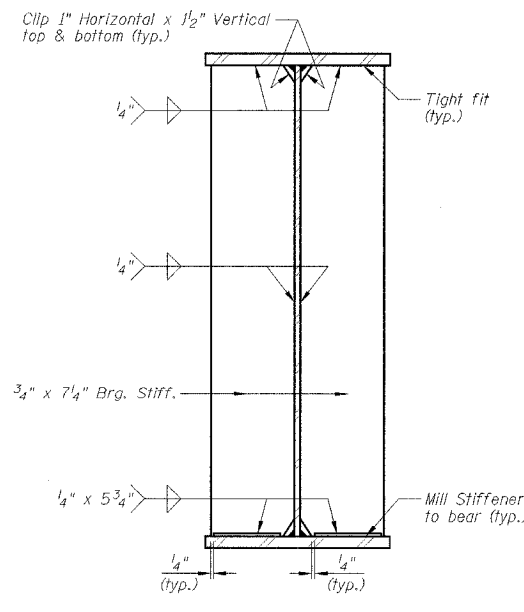
SECTION C-C



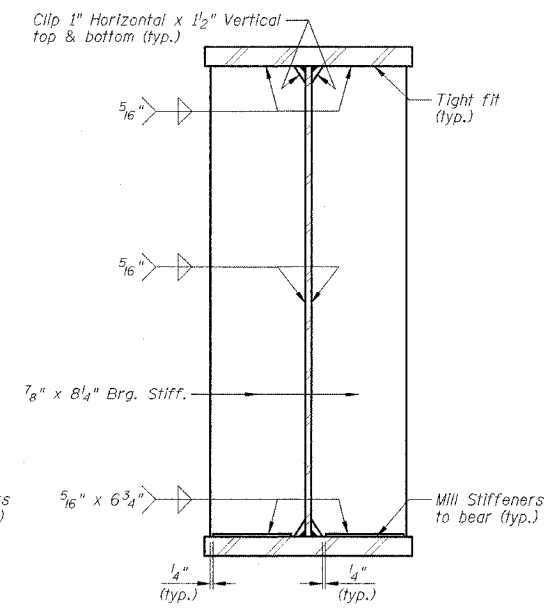
SECTION A-A



SECTION B-B



SECTION @ ABUTMENTS



SECTION @ PIER

- NOTES:**
- 1.) All diaphragms and diaphragm connecting members shall be AASHTO M270 Gr36.
 - 2.) Two hardened washers shall be required over all oversized holes.
 - 3.) Work this sheet with Sheets B14 & B15.

REVISIONS	
NAME	DATE

ILLINOIS DEPARTMENT OF TRANSPORTATION
STRUCTURAL STEEL DETAILS
F.A.I. 80 (I-80)
F.A.U. 5974 (ASHLEY ROAD) OVER I-80
SECTION 32-3HBR-1
GRUNDY COUNTY
STATION 110+00.00 STRUCTURE NO. 032-0113
DESIGNED BY: JML
DRAWN BY: DJM
DATE: 09/09/05
CHECKED BY: MSW