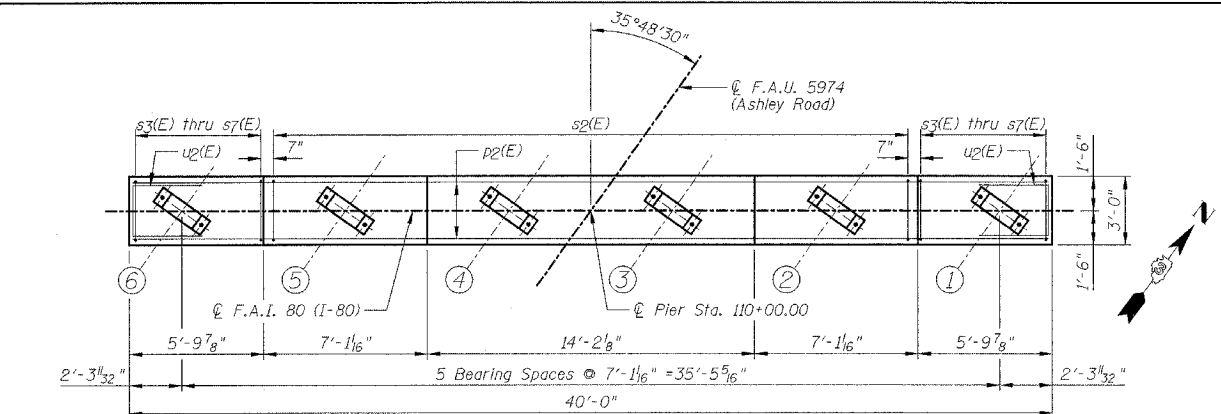


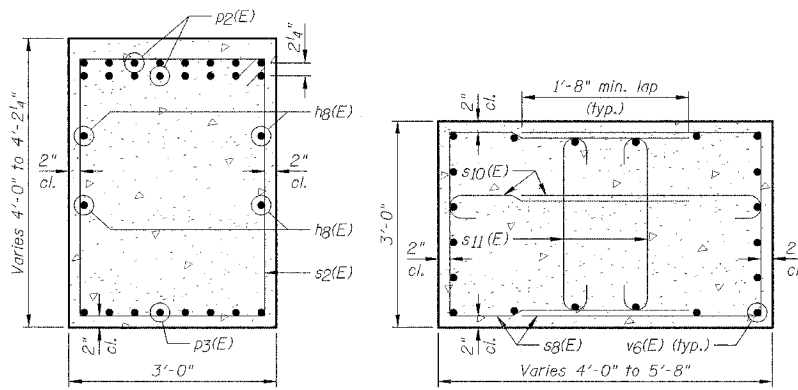
F.A.I. RTE.	SECTION	COUNTY	TOTAL SHEETS	SHEET NO.
80	32-3HBR-1	GRUNDY	88	50
STA. TO STA.		ILLINOIS FED. AID PROJECT		

SHEET NO. B23  
OF 35 SHEETS

STATE OF ILLINOIS  
DEPARTMENT OF TRANSPORTATION

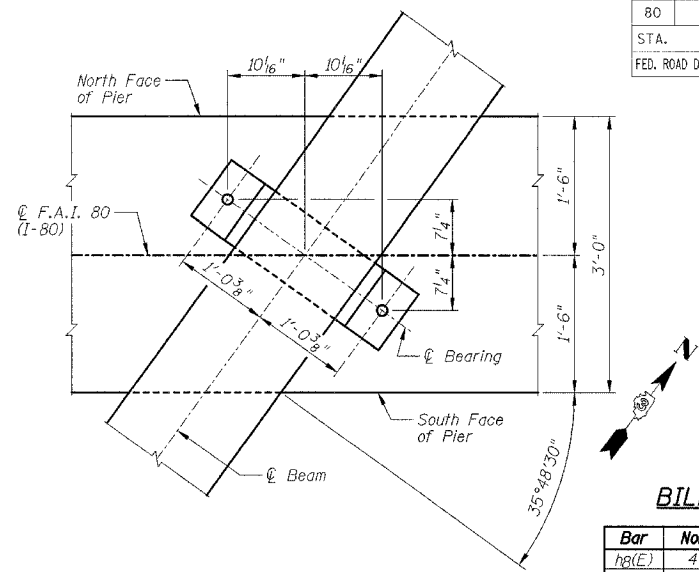


TOP PLAN

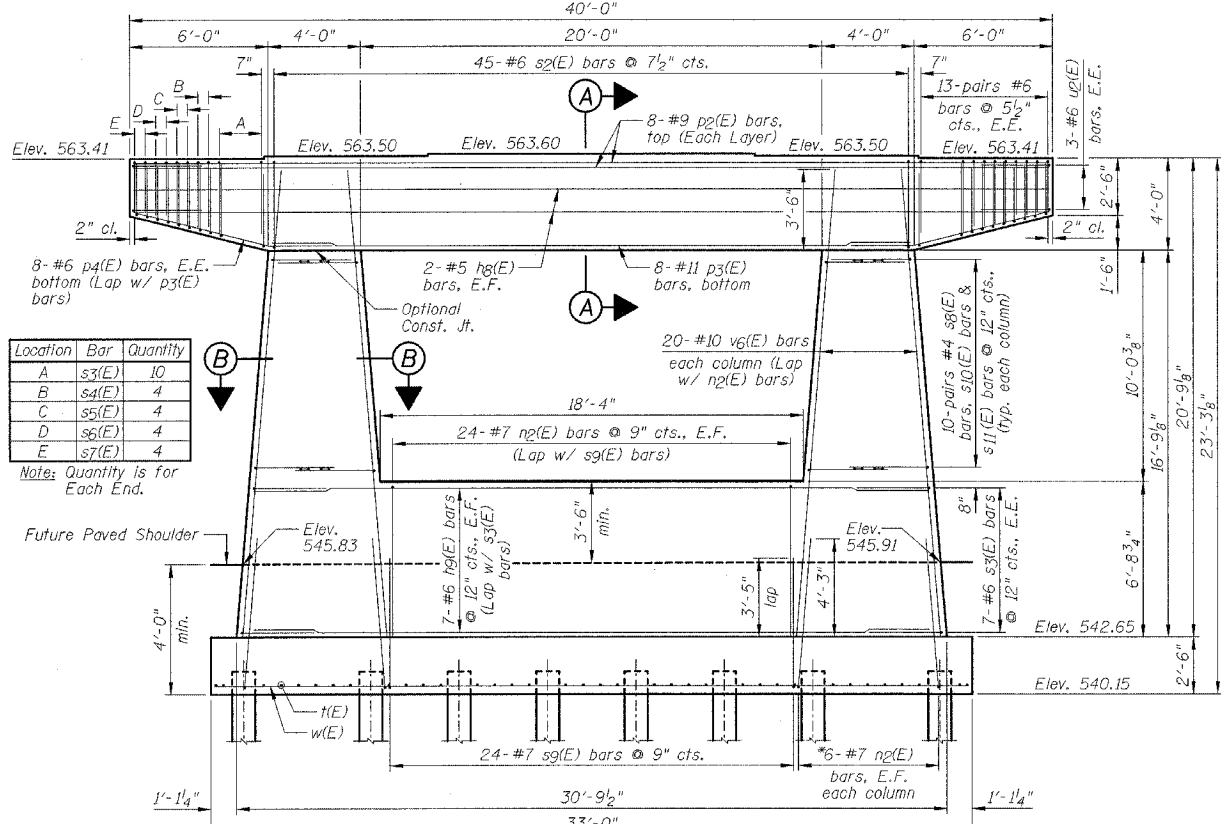


SECTION A-A

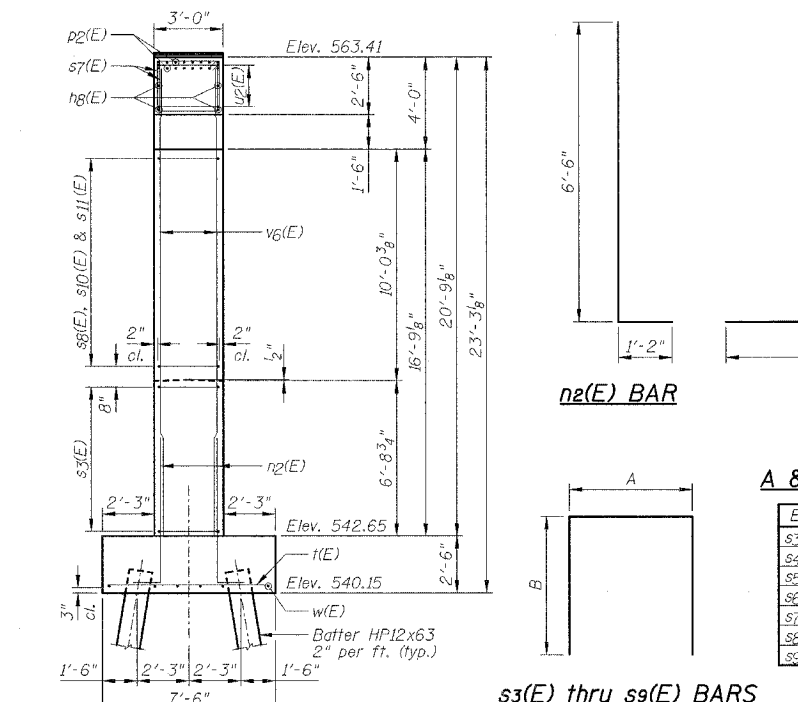
SECTION B-B



TYPICAL ANCHOR BOLT  
PLACEMENT DETAIL



ELEVATION  
(Looking North)



END VIEW

s3(E) thru s9(E) BARS

A & B DIMENSIONS

Bar	A	B
s3(E)	2'-8"	3'-2"
s4(E)	2'-8"	2'-11"
s5(E)	2'-8"	2'-9"
s6(E)	2'-8"	2'-4"
s7(E)	2'-8"	2'-3"
s8(E)	2'-8"	3'-6"
s9(E)	2'-6"	5'-8"

BILL OF MATERIAL

Bar	No.	Size	Length	Shape
hg(E)	4	#5	39'-8"	
hg(E)	14	#6	29'-4"	
n2(E)	72	#7	7'-8"	
p2(E)	16	#9	39'-8"	
p3(E)	8	#11	27'-8"	
p4(E)	16	#6	8'-9"	
s2(E)	45	#6	14'-2"	
s3(E)	34	#6	9'-0"	
s4(E)	8	#6	8'-6"	
s5(E)	8	#6	8'-2"	
s6(E)	8	#6	7'-4"	
s7(E)	8	#6	7'-2"	
s8(E)	40	#4	9'-8"	
s9(E)	24	#7	13'-10"	
s10(E)	40	#4	4'-0"	
s11(E)	40	#4	3'-8"	
w(E)	6	#5	32'-8"	

Item	Unit	Quantity
Structure Excavation	Cu Yd	57
Concrete Structures	Cu Yd	73.5
Reinforcement Bars, Epoxy Coated	Pound	12560
Furlishing Steel Piles (HP12x6.3)	Foot	690
Test Piles HP12x6.3	Each	1
Driving Steel Piles	Foot	690

PILE DATA:

Type	HP12x6.3 Steel
No. Req'd.	15+1 Test Pile
Est. Length	46 Feet
Capacity	Drive to Refusal

NOTES:

- 1.) Work this sheet with Sheet B2.
- 2.) Space reinforcement in cap to miss anchor bolts.
- 3.) Reinforcement bars designated (E) shall be epoxy coated.
- 4.) Pour steps monolithically with cap.
- 5.) E.F. denotes Each Face & E.E. denotes Each End.

REVISIONS	
NAME	DATE

ILLINOIS DEPARTMENT OF TRANSPORTATION  
PIER  
F.A.I. 80 (I-80)  
F.A.U. 5974 (ASHLEY ROAD) OVER I-80  
SECTION 32-3HBR-1  
GRUNDY COUNTY  
STATION 110+00.00 STRUCTURE NO. 032-0113  
DESIGNED BY: JML  
DRAWN BY: DJM  
DATE: 09/09/05  
CHECKED BY: MSW